

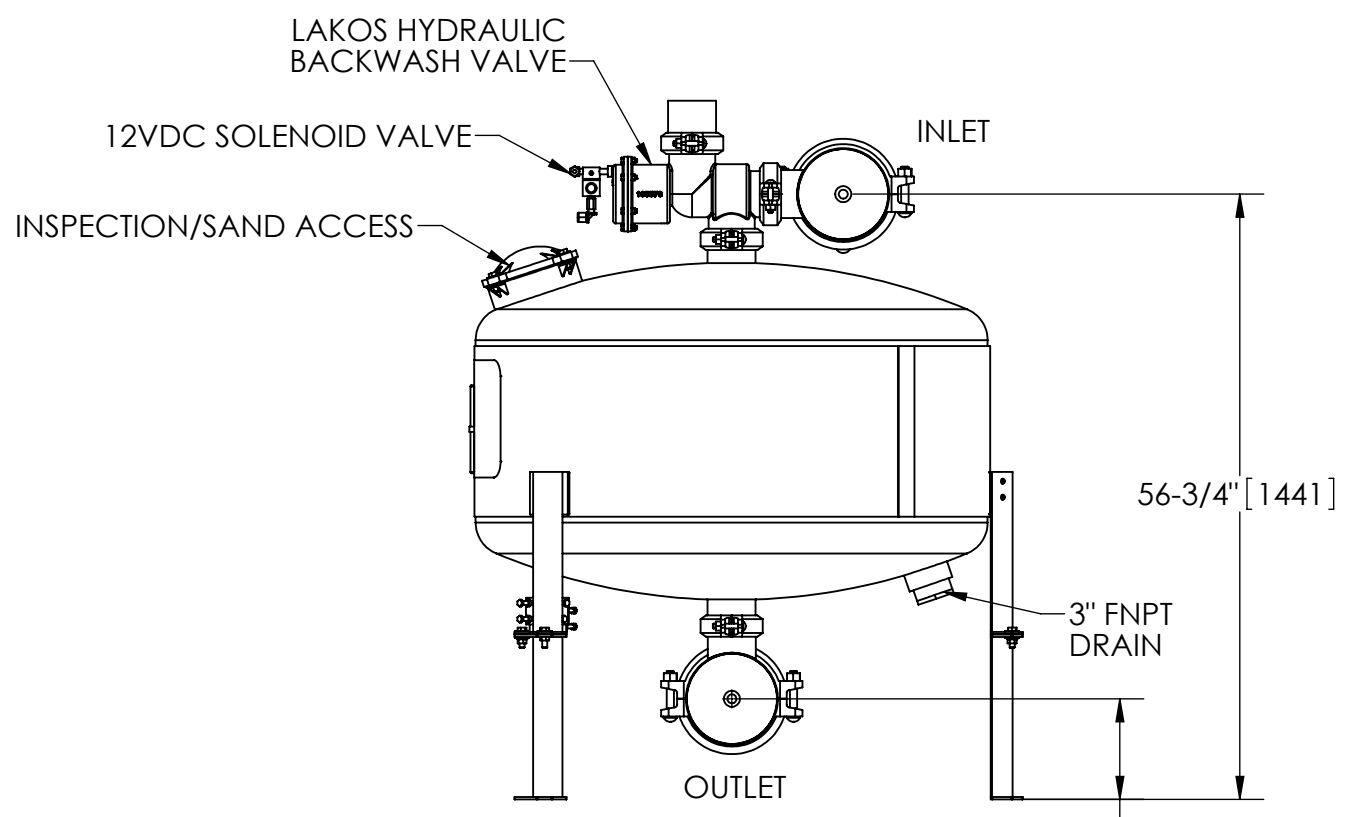
EXCEPT AS OTHERWISE PROVIDED BY CONTRACT, THIS DRAWING AND SPECIFICATIONS SHALL NOT BE REPRODUCED, COPIED OR USED AS THE BASIS FOR MANUFACTURE OR SALE OF MATTER DEPICTED HEREIN WITHOUT THE EXPRESSED WRITTEN PERMISSION OF THE CLAUDE LAVAL CORPORATION, OR ITS ASSIGNEES.

THIS DRAWING HAS BEEN GENERATED AND IS MAINTAINED BY A CAD SYSTEM. CHANGES SHALL ONLY BE INCORPORATED AS DIRECTED BY AN APPROVED ENGINEERING CHANGE ORDER (ECO). PAPER COPIES ARE UNCONTROLLED.

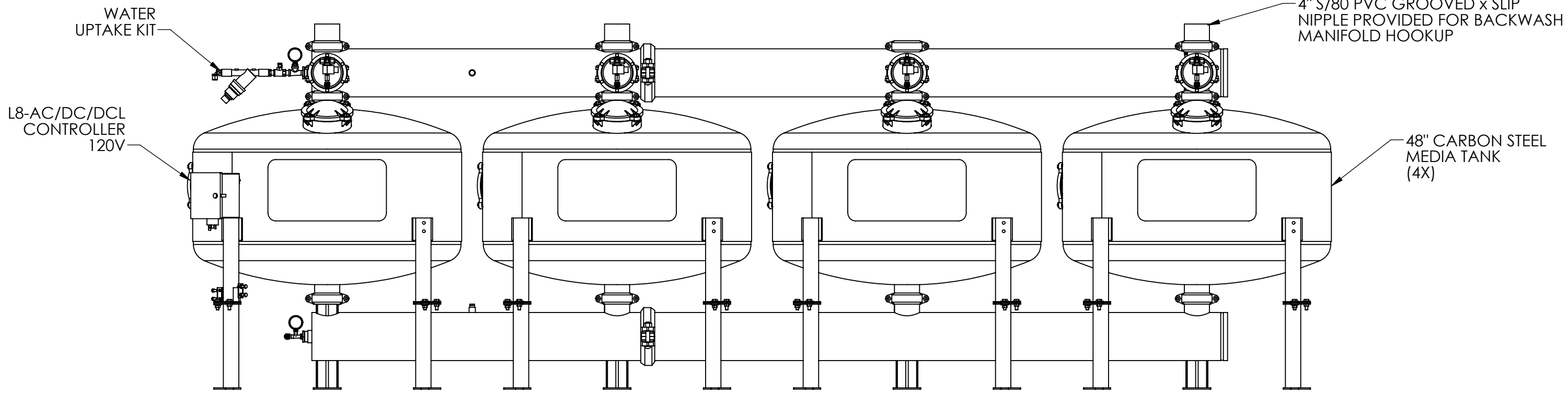
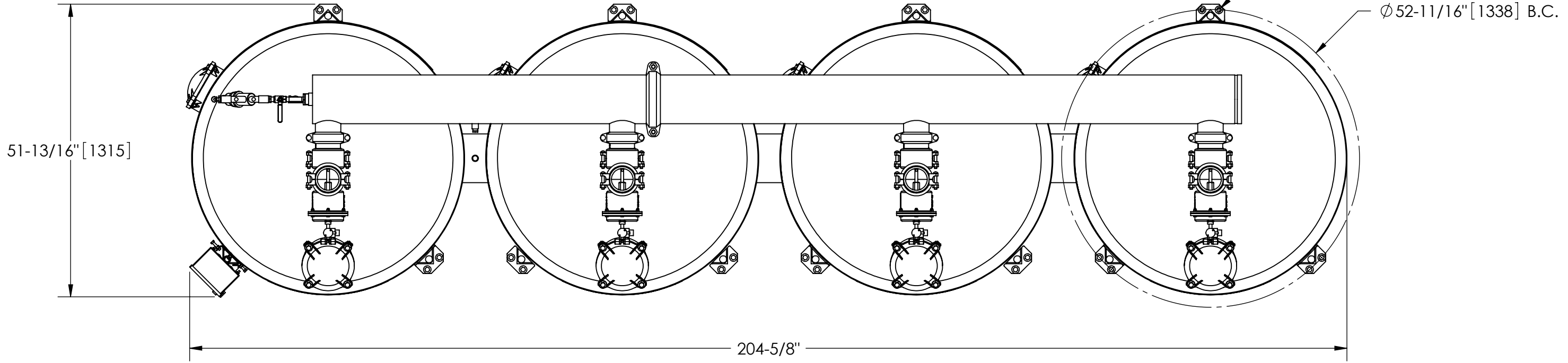
REVISIONS				
ZONE	REV.	DESCRIPTION	DATE	APPROVED

NOTES:

1. INLET & OUTLET ARE 8" GROOVED PIPE.
2. MAXIMUM PRESSURE: 80 psi (5.6 bar).
3. MAXIMUM TEMPERATURE: 100°F (37.8°C).
4. RATED FLOWRATE: 750-1240 gpm (170-282 m³/hr).
5. FILTRATION AREA: 50.2 ft² (4.6 m²).
6. MEDIA SAND REQUIREMENT: 5200 lbs (2358 kg).
7. SYSTEM WEIGHT (WITHOUT SAND): 1545 lbs (701 kg).
8. SYSTEM COMPONENTS SHIPPED LOOSE. FINAL ASSEMBLY BY OTHERS.



SIDE VIEW



**SUBMITTAL DRAWING**

This drawing is submitted for spatial consideration only. Do not pre-plumb to these dimensions.

UNLESS OTHERWISE SPECIFIED: DIMENSIONS ARE IN: INCHES (mm) TOLERANCES ARE:		ENGINEERED FOR: <b>STANDARD</b>	
FRACTIONS ± 1"	DECIMALS .XX ± .01 .XXX ± .005 .XXXX ± .0005	ANGLES ± 1/4°	
DO NOT SCALE DRAWING		APPROVALS	DATE
MATERIAL PER LAKOS SPEC		DRAWN EL	5/01/08
FINISH AS ASSEMBLED		ENGR	-
		MFG	-
		WORK ORDER	QTY.

<b>LAKOS</b>		CLAUDE LAVAL CORP. FRESNO, CALIFORNIA 93727 WWW.LAKOS.COM			
TITLE <b>PROII-4808-4A/I, SYSTEM 48" 4 TANK MEDIA, AUTO END FEED</b>					
SIZE C	MODEL NO.	DWG NO.	REV. <b>01</b>		
SCALE 1:18		EST. WT. 1545 lb	SHEET 1 OF 1		