

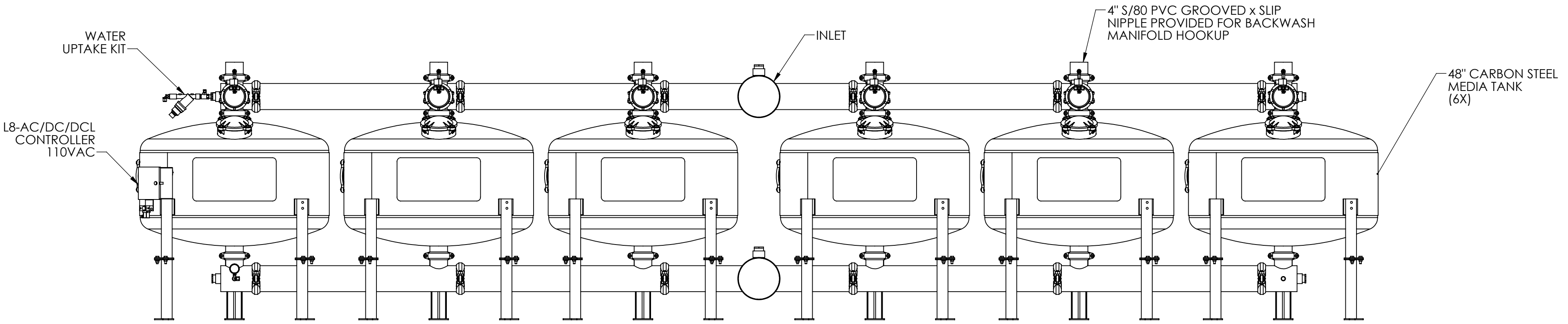
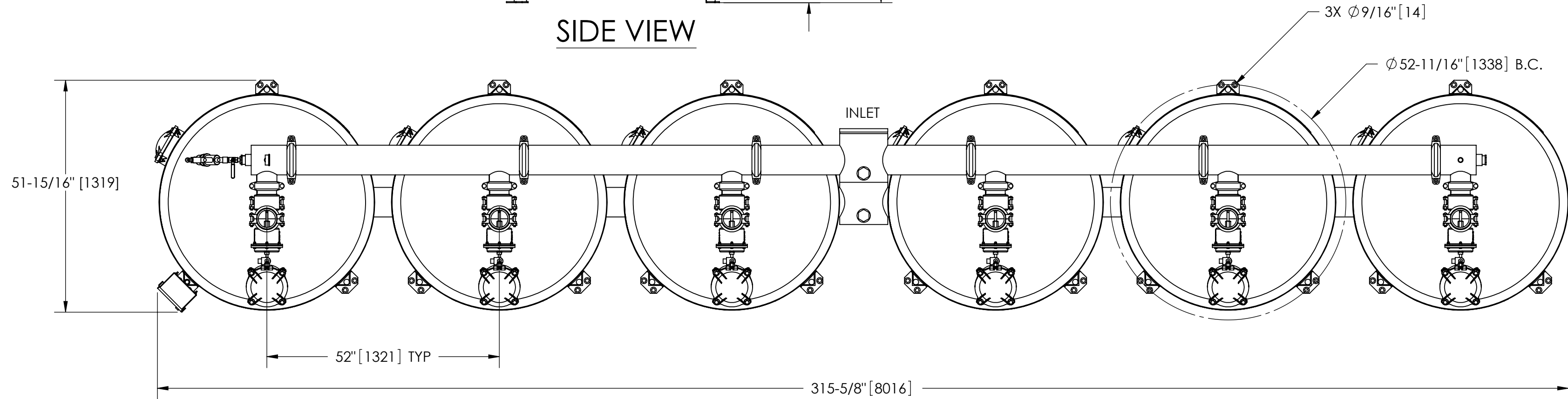
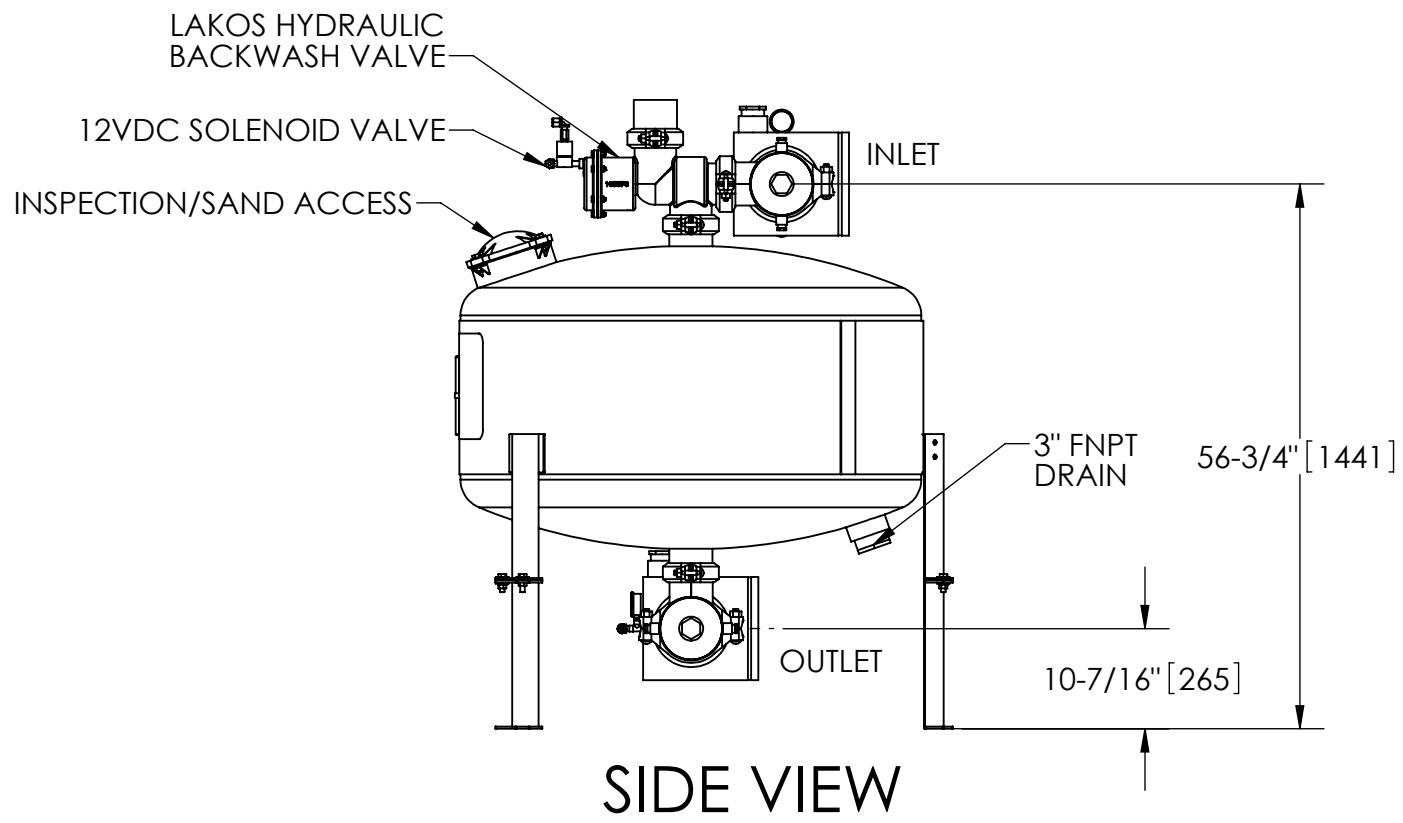
EXCEPT AS OTHERWISE PROVIDED BY CONTRACT, THIS DRAWING AND SPECIFICATIONS SHALL NOT BE REPRODUCED, COPIED OR USED AS THE BASIS FOR MANUFACTURE OR SALE OF MATTER DEPICTED HEREIN WITHOUT THE EXPRESSED WRITTEN PERMISSION OF THE CLAUDE LAVAL CORPORATION, OR ITS ASSIGNEES.

THIS DRAWING HAS BEEN GENERATED AND IS MAINTAINED BY A CAD SYSTEM. CHANGES SHALL ONLY BE INCORPORATED AS DIRECTED BY AN APPROVED ENGINEERING CHANGE ORDER (ECO). PAPER COPIES ARE UNCONTROLLED.

REVISIONS				
ZONE	REV.	DESCRIPTION	DATE	APPROVED

NOTES:

1. INLET & OUTLET ARE 10" GROOVED PIPE.
2. MAXIMUM PRESSURE: 80 psi (5.6 bar).
3. MAXIMUM TEMPERATURE: 100°F (37.8°C).
4. RATED FLOWRATE: 1130-1870 gpm (257-425 m³/hr).
5. FILTRATION AREA: 75.4 ft² (7.0 m²).
6. MEDIA SAND REQUIREMENT: 7800 lbs (3537 kg).
7. SYSTEM WEIGHT (WITHOUT SAND): 2247 lbs (1019 kg).
8. SYSTEM COMPONENTS SHIPPED LOOSE. FINAL ASSEMBLY BY OTHERS.



SUBMITTAL DRAWING

This drawing is submitted for spatial consideration only. Do not pre-plumb to these dimensions.

UNLESS OTHERWISE SPECIFIED: DIMENSIONS ARE IN: INCHES (mm) TOLERANCES ARE: FRACTIONS DECIMALS ANGLES ± 1/4" .XX ± .01 ± 1/4° .XXX ± .005 .XXXX ± .0005		ENGINEERED FOR: STANDARD		CLAUDE LAVAL CORP. FRESNO, CALIFORNIA 93727 WWW.LAKOS.COM		LAVAL UNDERGROUND SURVEYS	
DO NOT SCALE DRAWING		APPROVALS	DATE	TITLE			
MATERIAL PER LAKOS SPECS		DRAWN GroomC		8/21/08		PROII-4810-6 A/C, SYSTEM 48" 6 TANK MEDIA, AUTO CENTER FEED	
FINISH AS ASSEMBLED		ENGR		SIZE	MODEL NO.	DWG NO.	REV.
		MFG		C		-	01
		WORK ORDER		SCALE	1:20	EST. WT.	2247 lb
				SHEET	1 OF 1		