

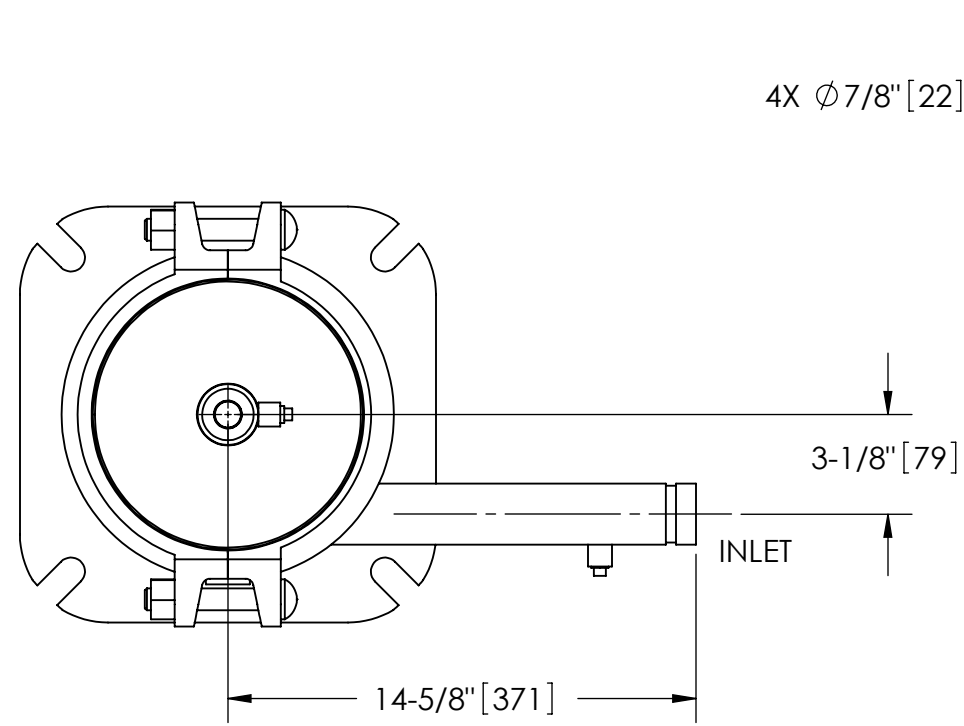
EXCEPT AS OTHERWISE PROVIDED BY CONTRACT, THIS DRAWING AND SPECIFICATIONS SHALL NOT BE REPRODUCED, COPIED OR USED AS THE BASIS FOR MANUFACTURE OR SALE OF MATTER DEPICTED HEREIN WITHOUT THE EXPRESSED WRITTEN PERMISSION OF THE CLAUDE LAVAL CORPORATION, OR ITS ASSIGNEES.

THIS DRAWING HAS BEEN GENERATED AND IS MAINTAINED BY A CAD SYSTEM. CHANGES SHALL ONLY BE INCORPORATED AS DIRECTED BY AN APPROVED ENGINEERING CHANGE ORDER (ECO). PAPER COPIES ARE UNCONTROLLED.

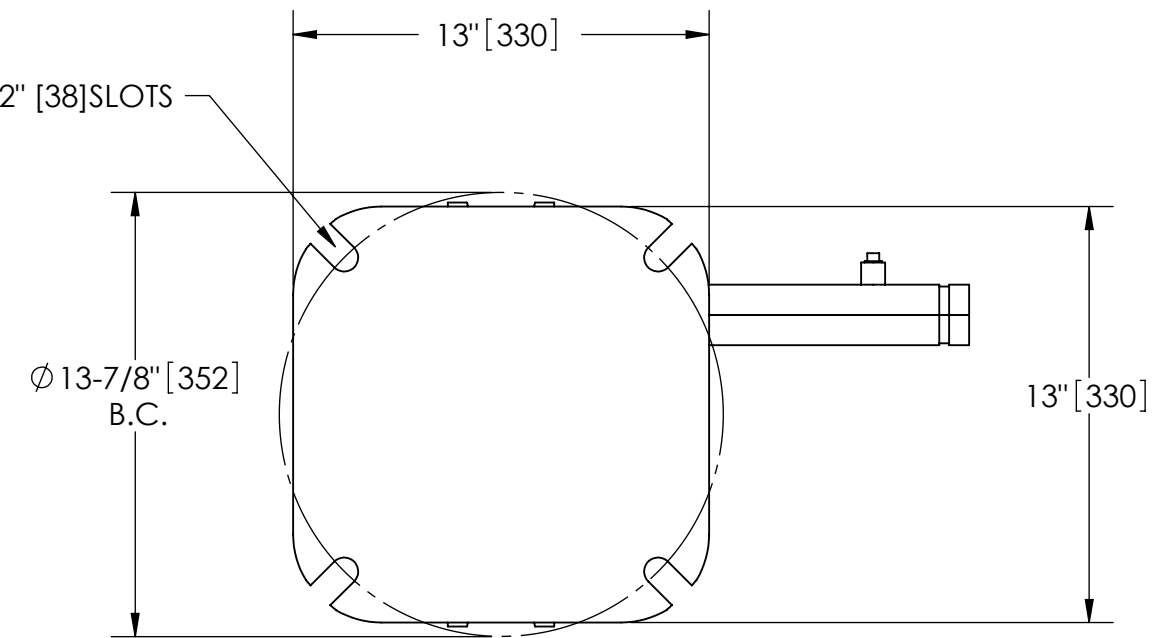
| REVISION HISTORY | | | | |
|------------------|-----|-------------|------|----------|
| ZONE | REV | DESCRIPTION | DATE | APPROVED |
| | | | | |

NOTES:

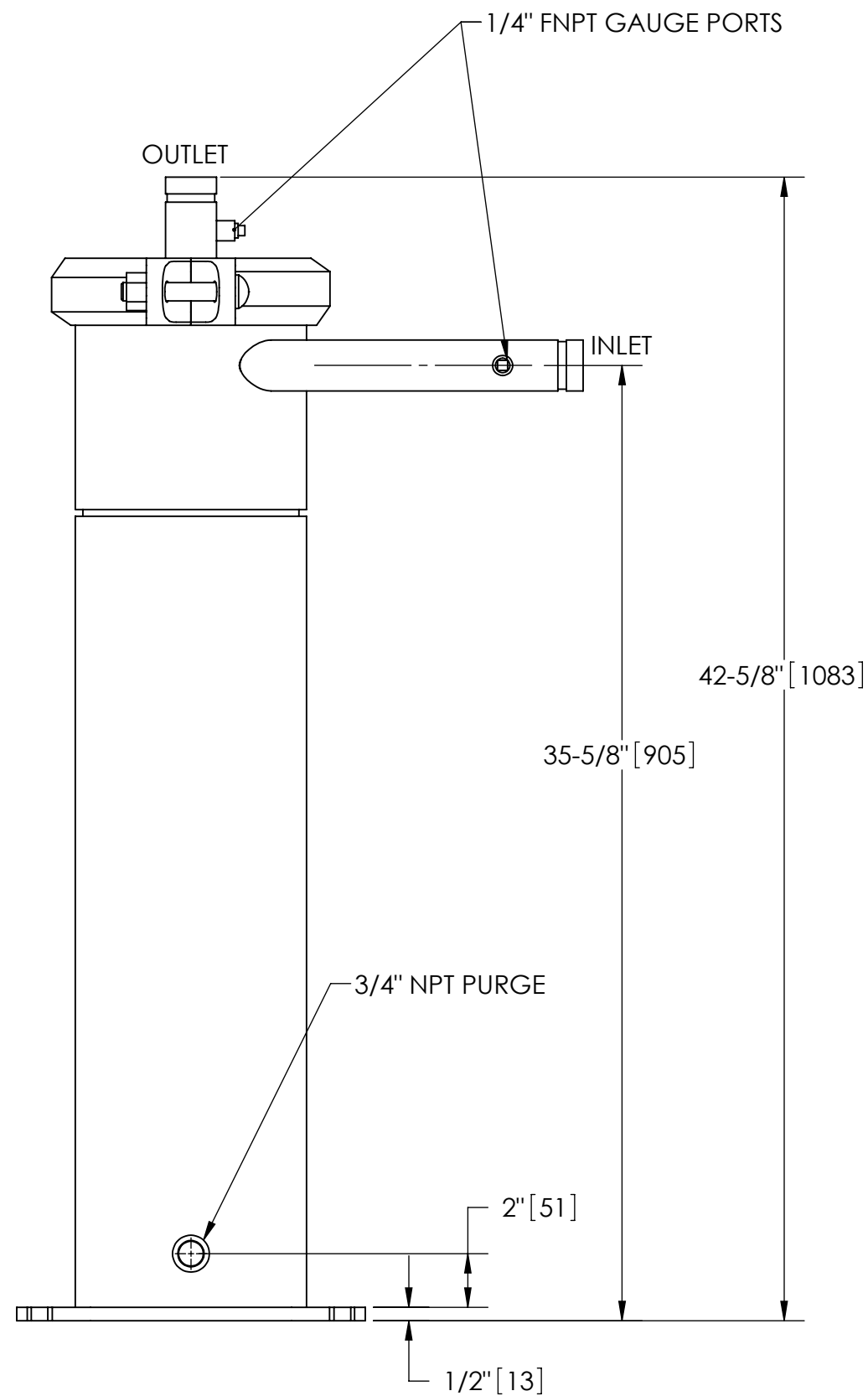
1. INLET & OUTLET ARE 1-1/2" GROOVED PIPE.
2. MAXIMUM PRESSURE: 150 psi (10.3 bar).
3. MAXIMUM TEMPERATURE: 180°F (82.2°C).
4. PRESSURE LOSS: 2-15 psid (.14-1.03 bar) AT RATED FLOW.
5. RATED FLOW: 40-95 gpm (9-21 m³/hr).
6. APPROXIMATE DRY WEIGHT: 187 lbs (85 kg).
7. FINISH: LAKOS BLACK (EXTERIOR ONLY).



TOP VIEW



BOTTOM VIEW



SUBMITTAL DRAWING

This drawing is submitted for spatial consideration only. Do not pre-plumb to these dimensions.

| | | | | | | | | |
|--|--|------------------------------------|--------------|---|--|---------------------------|----------------|---------|
| UNLESS OTHERWISE SPECIFIED: DIMENSIONS ARE IN: INCHES [mm] TOLERANCES ARE: | | ENGINEERED FOR: STANDARD | | CLAUDE LAVAL CORP. FRESNO, CALIFORNIA 93727 WWW.LAKOS.COM | | LAVAL UNDERGROUND SURVEYS | | |
| FRACTIONS ± 1" | DECIMALS .XX ± .01 .XXX ± .005 .XXXX ± .0005 | ANGLES ± 1/4° | APPROVALS | DATE | TITLE | | | |
| DO NOT SCALE DRAWING | | | DRAWN SDF/CG | 10/12/12 | eHTX-0040-V, SEPARATOR, 40-95 gpm, CARBON STEEL | | | |
| MATERIAL CLASS P-1 MILD CARBON STEEL | | ENGR - | MFG - | - | SIZE C | MODEL NO. | DWG NO. 135034 | REV. 04 |
| FINISH LAKOS BLACK | | WORK ORDER | QTY. | SCALE 1:8 | EST. WT. 187 lb | SHEET 1 OF 1 | | |

DWG. NO. 135034
SHEET 04