

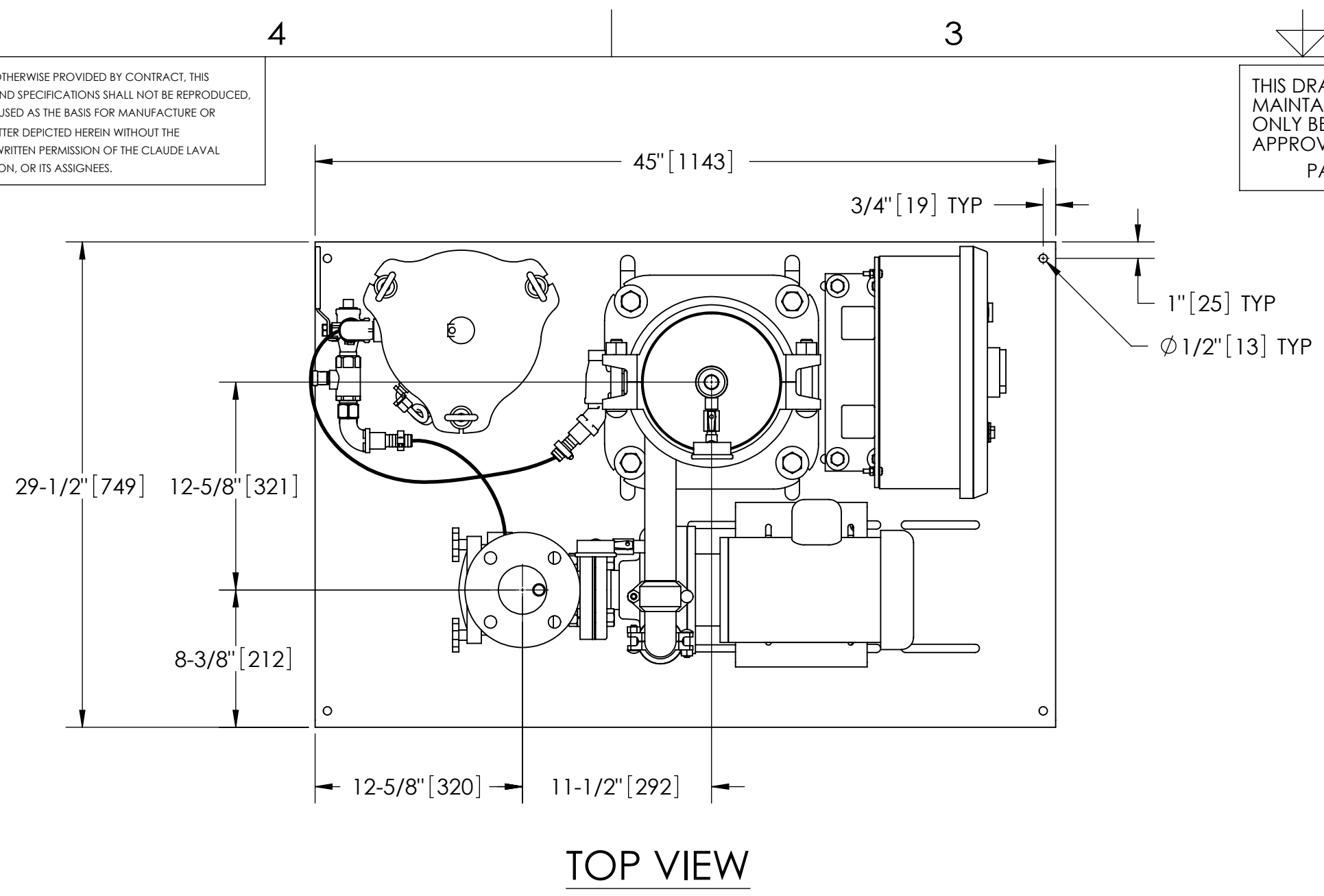
EXCEPT AS OTHERWISE PROVIDED BY CONTRACT, THIS DRAWING AND SPECIFICATIONS SHALL NOT BE REPRODUCED, COPIED OR USED AS THE BASIS FOR MANUFACTURE OR SALE OF MATTER DEPICTED HEREIN WITHOUT THE EXPRESSED WRITTEN PERMISSION OF THE CLAUDE LAVAL CORPORATION, OR ITS ASSIGNEES.

THIS DRAWING HAS BEEN GENERATED AND IS MAINTAINED BY A CAD SYSTEM. CHANGES SHALL ONLY BE INCORPORATED AS DIRECTED BY AN APPROVED ENGINEERING CHANGE ORDER (ECO). PAPER COPIES ARE UNCONTROLLED.

REVISION HISTORY				
ZONE	REV	DESCRIPTION	DATE	APPROVED

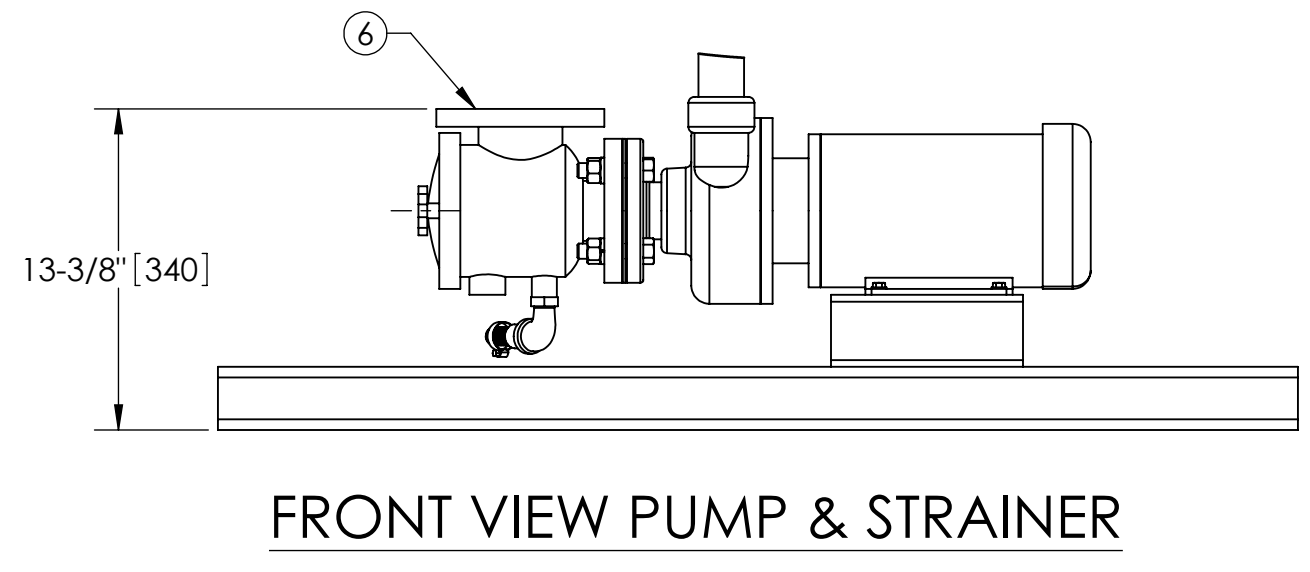
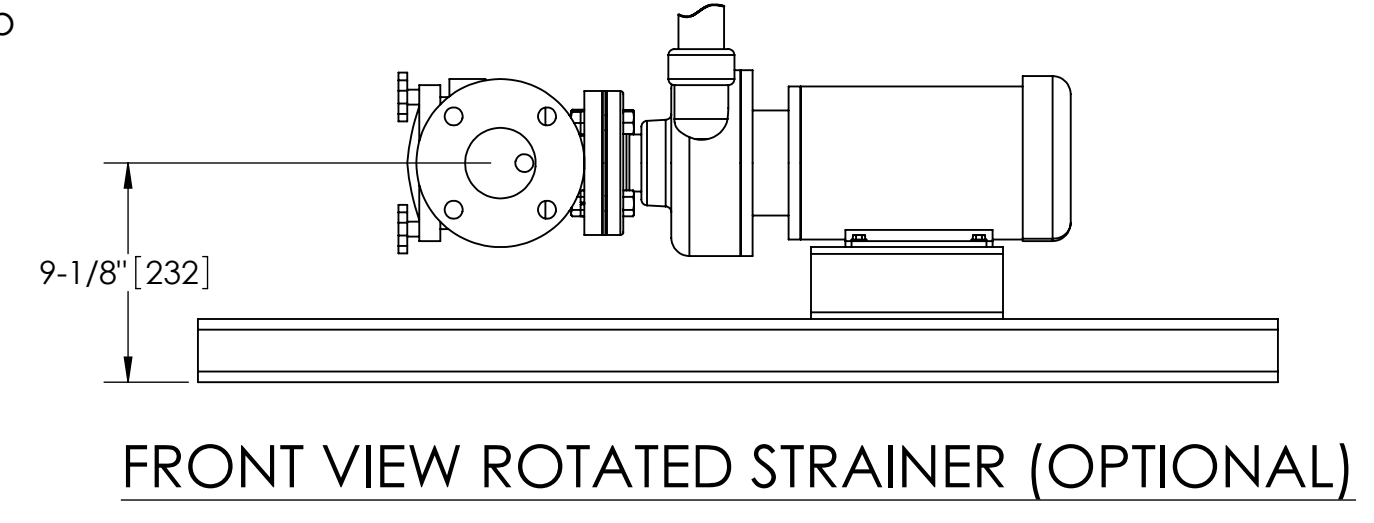
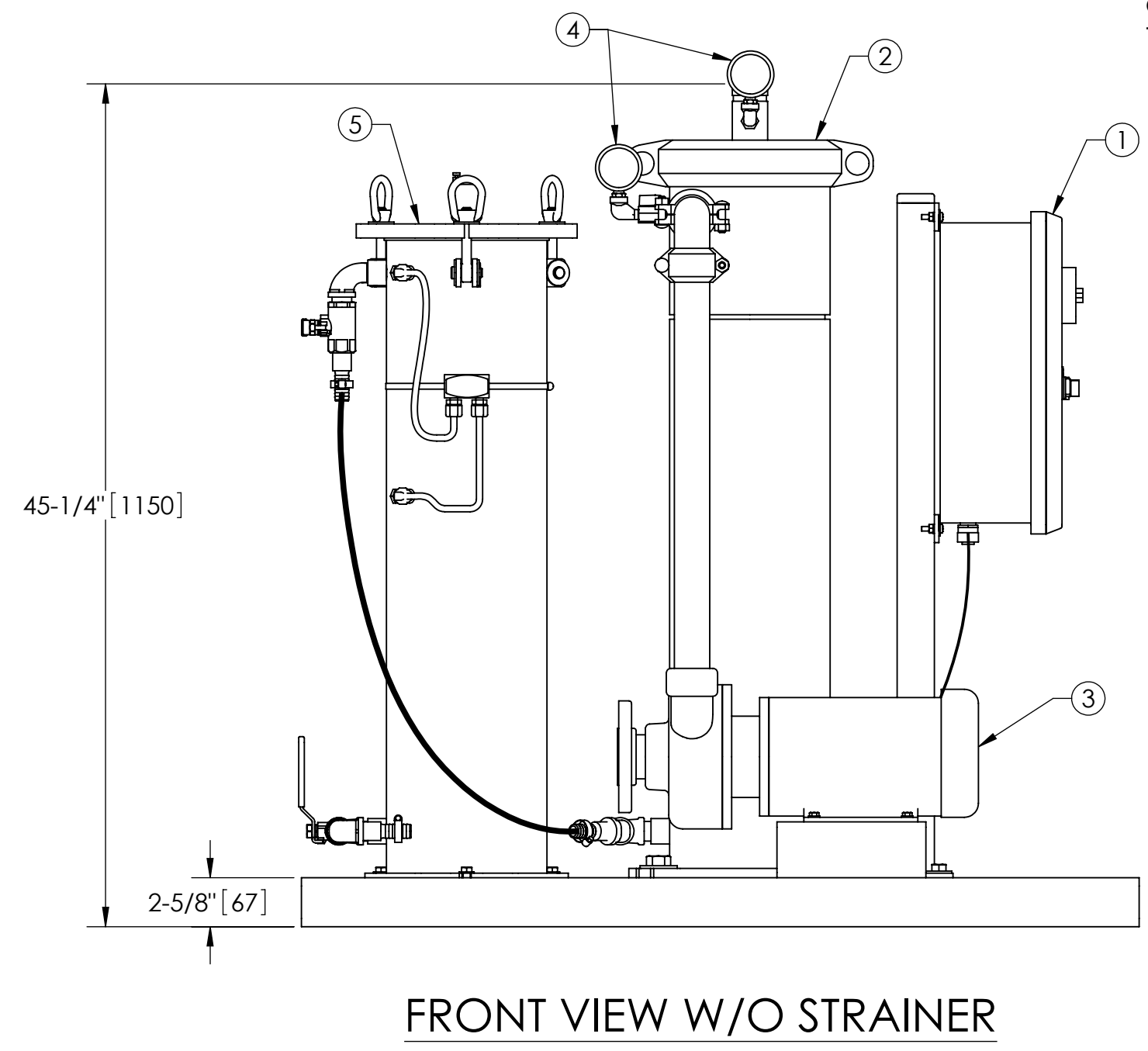
- NOTES:
- INLET IS 2-1/2" PIPE (125# ANSI FLANGED).
  - OUTLET IS 1-1/2" PIPE (GROOVED).
  - PURGE OUTLET IS 3/4" PIPE.
  - MAXIMUM PRESSURE: 150 psi (10.3 bar).
  - MAX FLUID OPERATING TEMPERATURE: 100°F (37.8°C).
  - SPECIFIED FLOW RATES:  
BASIN SWEEPING- 80 gpm (18 m³/hr).  
SIDE STREAM & CLOSED LOOP- 95 gpm (22 m³/hr).
  - FINISH: AS ASSEMBLED.
  - POWER REQUIREMENT: 208V/230V/460V, 3PH, 60Hz. (CUSTOMER SPECIFIED)
  - NEMA 4X MOTOR STARTER ENCLOSURE WITH
  - SAFETY DISCONNECT AND H.O.A. SWITCH.
  - APPROXIMATE DRY WEIGHT: 613 lbs (279 kg).
  - INLET/OUTLET VALVE KIT RECOMMENDED: SEE FACTORY.
  - MINIMUM PIPE FROM TOWER BASIN TO TC SYSTEM IS 2-1/2" PIPE.
  - FLOODED SUCTION REQUIRED.

- COMPONENT LIST:
- ELECTRICAL CONTROL BOX 208V/230V/460V 60Hz W/120V TRANSFORMER.
  - SEPARATOR: eHTX-0040-TC.
  - PUMP: 2 HP CENTRIFUGAL, 3600 rpm, 208V/230V/460V, 60Hz.
  - INLET/OUTLET PRESSURE GAUGES: 0-100 psi, GLYCERIN-FILLED.
  - PURGE EQUIPMENT: SRV-833.
  - STRAINER, SUCTION DIFFUSER.



**SUBMITTAL DRAWING**

This drawing is submitted for spatial consideration only. Do not pre-plumb to these dimensions.



UNLESS OTHERWISE SPECIFIED: DIMENSIONS ARE IN: INCHES [mm] TOLERANCES ARE: FRACTIONS DECIMALS ANGLES ± 1/2" .XX ± .01 ± 1/4" .XXX ± .005 .XXXX ± .0005	ENGINEERED FOR: <b>STANDARD</b>	CLAUDE LAVAL CORP. FRESNO, CALIFORNIA 93727 WWW.LAKOS.COM	LAVAL UNDERGROUND SURVEYS
	APPROVALS		
DO NOT SCALE DRAWING	DRAWN ADJ/CAG	11/12/12	
MATERIAL PER LAKOS SPEC	ENGR	-	
FINISH AS ASSEMBLED	MFG	-	
	WORK ORDER	QTY.	
TITLE eTCX-0080-SRV, TC SYSTEM HI EFFICIENCY eHTX-0040, 3/60/208, 230, 460V		SIZE C	MODEL NO.
SCALE 1:8		DWG NO. 135302	REV. A
		EST. WT. 613 lb	SHEET 1 OF 1

DWG NO. 135302  
SHEET A  
REV. A