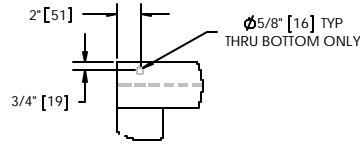
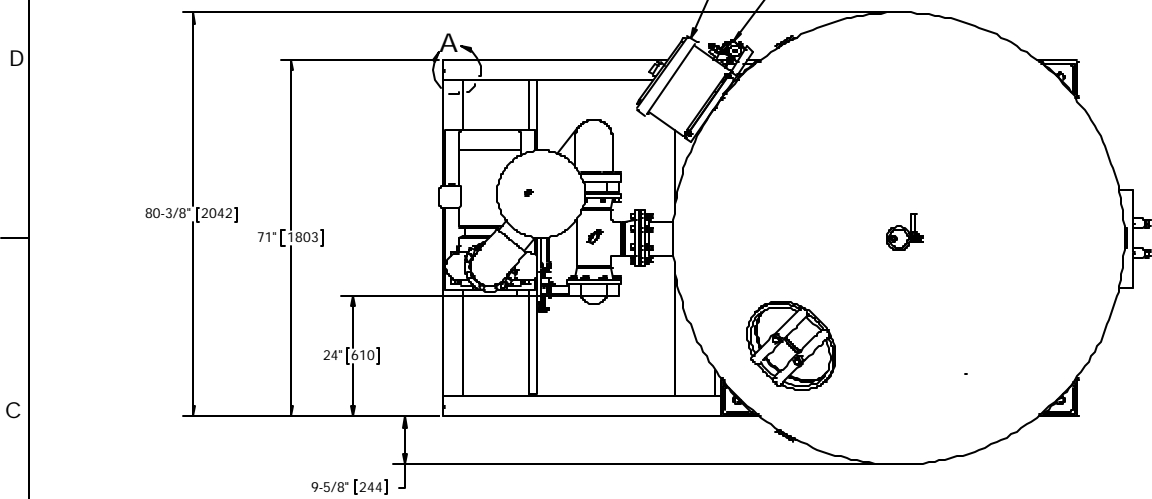


EXCEPT AS OTHERWISE PROVIDED BY CONTRACT, THIS DRAWING AND SPECIFICATIONS SHALL NOT BE REPRODUCED, COPIED OR BIDD AS THE BASIS FOR MANUFACTURE OR SALE OF MATTER DEVICED HEREIN WITHOUT THE EXPRESSED WRITTEN PERMISSION OF THE CLAUDE LAVAL CORPORATION, OR ITS ASSIGNEES.

THIS DRAWING HAS BEEN GENERATED AND IS MAINTAINED BY A CAD SYSTEM. CHANGES SHALL ONLY BE INCORPORATED AS DIRECTED BY AN APPROVED ENGINEERING CHANGE ORDER (ECO). PAPER COPIES ARE UNCONTROLLED.

REVISIONS				
ZONE	REV.	DESCRIPTION	DATE	APPROVED



**DETAIL A**  
SCALE 1:8

**NOTES:**

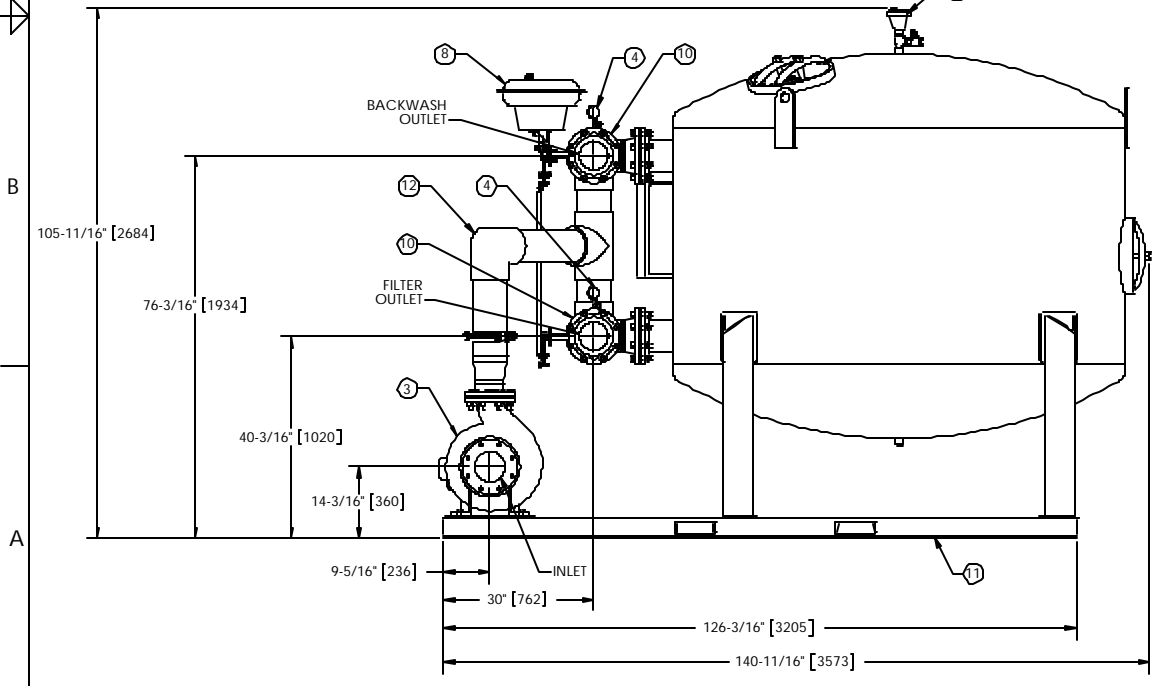
1. INLET IS 6" PIPE (ANSI FLANGE).
2. OUTLET IS 6" PIPE (150# ANSI FLANGE).
3. BACKWASH IS 6" PIPE (150# ANSI FLANGE).
4. MAXIMUM PRESSURE 50 psi (3.4 bar).
5. MAXIMUM OPERATING TEMPERATURE: 100°F (37.8°C).
6. SPECIFIED FLOWRATE OF 884 gpm (201 m³/hr).
7. SPECIFIED BACKWASH FLOWRATE OF 663 gpm (151 m³/hr).
8. FINISH: AS ASSEMBLED.
9. POWER REQUIREMENT: 460V, 3PH, 60HZ.
10. UL LISTED NEMA 4X MOTOR STARTER ENCLOSURE WITH SAFETY DISCONNECT, H.O.A. SWITCH, 24 HR BACKWASH TIMER, AND BACKWASH CYCLE TIMER.
11. APPROXIMATE DRY WEIGHT (NOT INCLUDING GRAVEL/SAND): 4345 lbs (1971 kg).
12. MINIMUM PIPE SIZE TO CTS SYSTEM IS 8" PIPE.
13. FLOODED SUCTION REQUIRED.

**COMPONENT LIST:**

- 1 ELECTRICAL CONTROL BOX 460V 60HZ W/120V TRANSFORMER.
- 2 MEDIA TANK: 90" CARBON STEEL.
- 3 PUMP: 15 HP CENTRIFUGAL, 1750 rpm, TEFC, 460V, 60HZ, CAST IRON.
- 4 INLET/OUTLET PRESSURE GAUGES: 0-100 psi, GLYCERIN-FILLED.
- 5 MEDIA: 10 MICRON AT 95% EFFICIENCY - STANDARD  
5 MICRON AT 90% EFFICIENCY - OPTIONAL
- 6 UNDERDRAIN: S/80 PVC HEADER, S/40 SLOTTED PVC PIPE.
- 7 AIR RELIEF VALVE: 3/4" CAST IRON AUTOVENT W/MANUAL VALVE.
- 8 PNEUMATIC ACTUATOR: CAST IRON BODY, NEOPRENE DIAPHRAGM.  
REQUIRED AIR PRESSURE FOR OPERATION: 15 psi (1.0 bar).
- 9 AIR REGULATOR & FILTER: 22 scfm (33 m³/hr) MAXIMUM AIRFLOW.
- 10 BUTTERFLY VALVE: CAST IRON BODY, EPDM SEATS.
- 11 CARBON STEEL SKID.
- 12 CARBON STEEL MANIFOLD PIPING.

**SUBMITTAL DRAWING**

This drawing is submitted for spatial consideration only. Do not pre-plumb to these dimensions.



UNLESS OTHERWISE SPECIFIED, DIMENSIONS ARE IN: INCHES (mm) TOLERANCES ARE: FRACTIONS DECIMALS ANGLES 1/8" ± .01 30° ± .01 ± .14"	ENGINEERED FOR: <b>STANDARD</b>		<b>LAKOS</b> CLAUDE LAVAL CORP. 18290, CALIFORNIA 91727 WWW.LAKOS.COM	LAKOS UNDERGROUND SURVEYS
	APPROVALS	DATE		
DO NOT SCALE DRAWING	DRAWN JBI	DATE 12/20/07	TITLE CTS-90-884-A-S, CS MEDIA SYSTEM, SYSTEM BW, AUTO, 3/60/480V	
MATERIAL PER LAKOS SPEC	ENGR	-	SCALE 1:18	128878
FINISH AS ASSEMBLED	MFG	-	NET WT 4345 LB	01
	WORK ORDER	QTY	SHEET	1 OF 1

DRAWING 128878 REV 01