

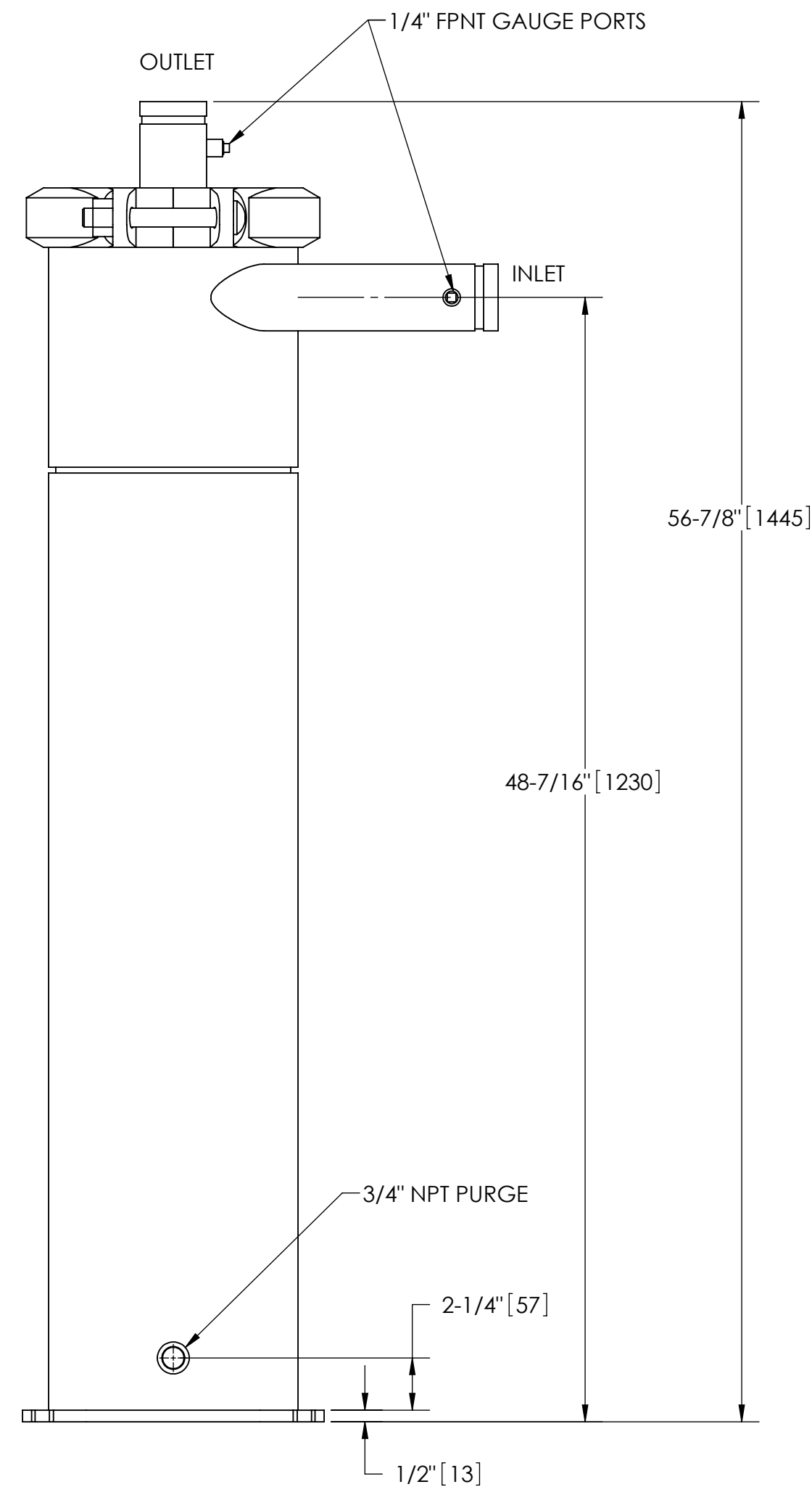
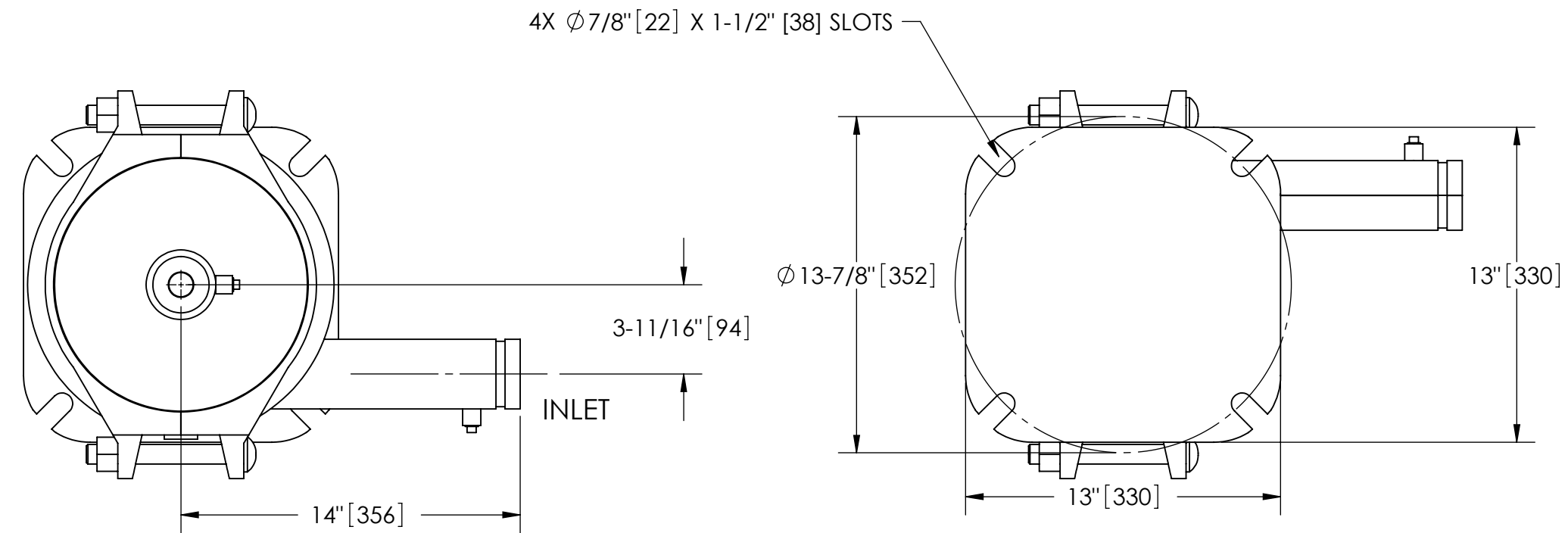
EXCEPT AS OTHERWISE PROVIDED BY CONTRACT, THIS DRAWING AND SPECIFICATIONS SHALL NOT BE REPRODUCED, COPIED OR USED AS THE BASIS FOR MANUFACTURE OR SALE OF MATTER DEPICTED HEREIN WITHOUT THE EXPRESSED WRITTEN PERMISSION OF THE CLAUDE LAVAL CORPORATION, OR ITS ASSIGNEES.

THIS DRAWING HAS BEEN GENERATED AND IS MAINTAINED BY A CAD SYSTEM. CHANGES SHALL ONLY BE INCORPORATED AS DIRECTED BY AN APPROVED ENGINEERING CHANGE ORDER (ECO). PAPER COPIES ARE UNCONTROLLED.

REVISION HISTORY				
ZONE	REV	DESCRIPTION	DATE	APPROVED

NOTES:

1. INLET & OUTLET ARE 2-1/2" GROOVED PIPE.
2. MAXIMUM PRESSURE: 150 psi (10.3 bar).
3. MAXIMUM TEMPERATURE: 180°F (82.2°C).
4. PRESSURE LOSS: 2-15 psid (.14-1.03 bar) AT RATED FLOW.
5. RATED FLOW: 80-185 gpm (18-42 m³/hr).
6. APPROXIMATE DRY WEIGHT: 300 lbs (136 kg).
7. FINISH: LAKOS BLACK (EXTERIOR ONLY).



SUBMITTAL DRAWING

This drawing is submitted for spatial consideration only. Do not pre-plumb to these dimensions.

UNLESS OTHERWISE SPECIFIED: DIMENSIONS ARE IN: INCHES [mm] TOLERANCES ARE:		ENGINEERED FOR: STANDARD		CLAUDE LAVAL CORP. FRESNO, CALIFORNIA 93727 WWW.LAKOS.COM		LAVAL UNDERGROUND SURVEYS		
FRACTIONS ± 1"	DECIMALS .XX ± .01 .XXX ± .005 .XXXX ± .0005	ANGLES ± 1/4°	APPROVALS	DATE	TITLE			
DO NOT SCALE DRAWING			DRAWN SDF/CAG	10/10/12	eHTX-0080-V, SEPARATOR 80-185 gpm, CARBON STEEL			
MATERIAL CLASS P-1 MILD CARBON STEEL			ENGR -	-	SIZE C	MODEL NO.	DWG NO. 134997	REV. 03
FINISH LAKOS BLACK			MFG -	-	SCALE 1:8	EST. WT. 300 lb	SHEET 1 OF 1	
			WORK ORDER	QTY.				