

EXCEPT AS OTHERWISE PROVIDED BY CONTRACT, THIS DRAWING AND SPECIFICATIONS SHALL NOT BE REPRODUCED, COPIED OR USED AS THE BASIS FOR MANUFACTURE OR SALE OF MATTER DEPICTED HEREIN WITHOUT THE EXPRESSED WRITTEN PERMISSION OF THE CLAUDE LAVAL CORPORATION, OR ITS ASSIGNEES.

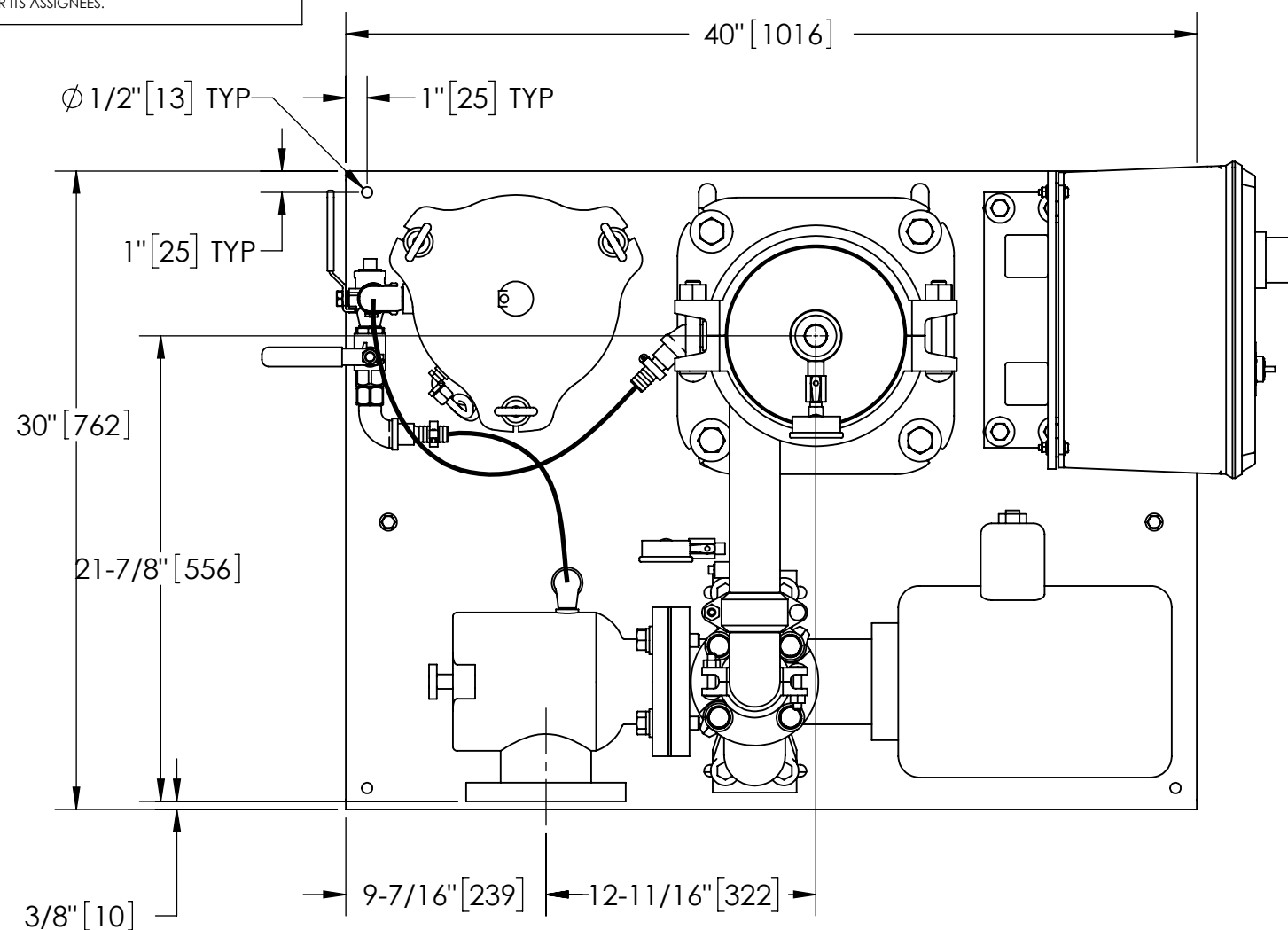
THIS DRAWING HAS BEEN GENERATED AND IS MAINTAINED BY A CAD SYSTEM. CHANGES SHALL ONLY BE INCORPORATED AS DIRECTED BY AN APPROVED ENGINEERING CHANGE ORDER (ECO). PAPER COPIES ARE UNCONTROLLED.

REVISION HISTORY				
ZONE	REV	DESCRIPTION	DATE	APPROVED

1. **NOTES:**
- INLET IS 3" PIPE (125# ANSI FLANGED).
 - OUTLET IS 2" PIPE (GROOVED).
 - PURGE OUTLET IS 3/4" PIPE.
 - MAXIMUM PRESSURE: 150 psi (10.3 bar).
 - MAXIMUM TEMPERATURE: MAX FLUID OPERATING TEMPERATURE: 100° F (37.8° C).
 - SPECIFIED FLOW RATES:
BASIN SWEEPING- 110 gpm (25 m³/hr)
SIDE STREAM & CLOSED LOOP-140 gpm (32 m³/hr)
 - FINISH: AS ASSEMBLED.
 - POWER REQUIREMENT: 208V/230V/460V, 3PH, 60Hz. (CUSTOMER SPECIFIED)
 - NEMA 4X MOTOR STARTER ENCLOSURE WITH SAFETY DISCONNECT AND H.O.A. SWITCH.
 - APPROXIMATE DRY WEIGHT: 850 lbs (386 kg).
 - INLET/OUTLET VALVE KIT RECOMMENDED: SEE FACTORY.
 - MINIMUM PIPE FROM TOWER BASIN TO TC SYSTEM IS 3" PIPE.
 - FLOODED SUCTION REQUIRED.

COMPONENT LIST:

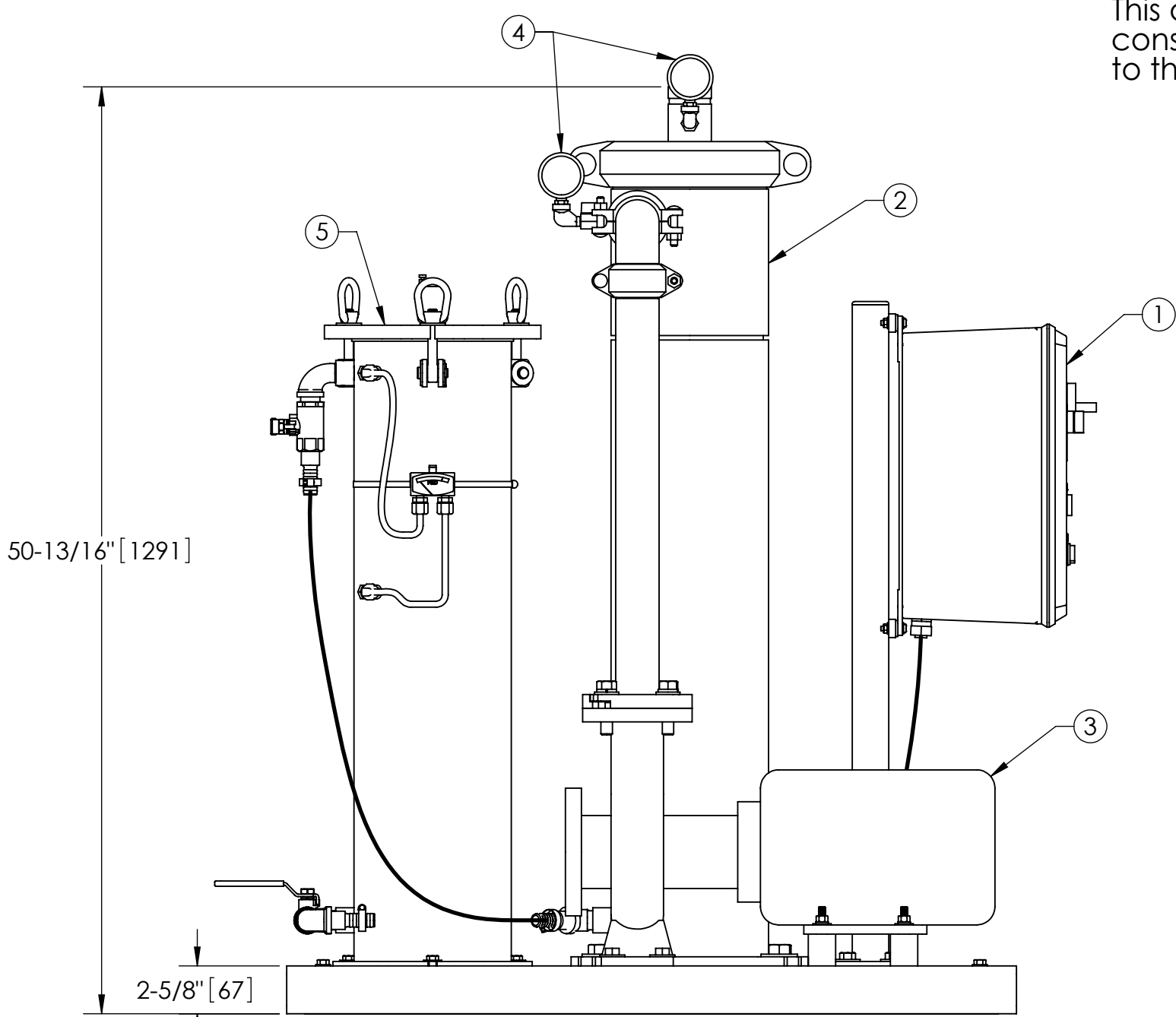
- ELECTRICAL CONTROL BOX 3/60/208V/230V/460V, W/120V TRANSFORMER.
- SEPARATOR: eHTX-0060-V.
- PUMP: 3 HP CENTRIFUGAL, 1800 rpm, 208V/230V/460V, 60Hz.
- INLET/OUTLET PRESSURE GAUGES: 0-100 psi, GLYCERIN-FILLED.
- PURGE EQUIPMENT: SRV-833.
- STRAINER, SUCTION DIFFUSER.



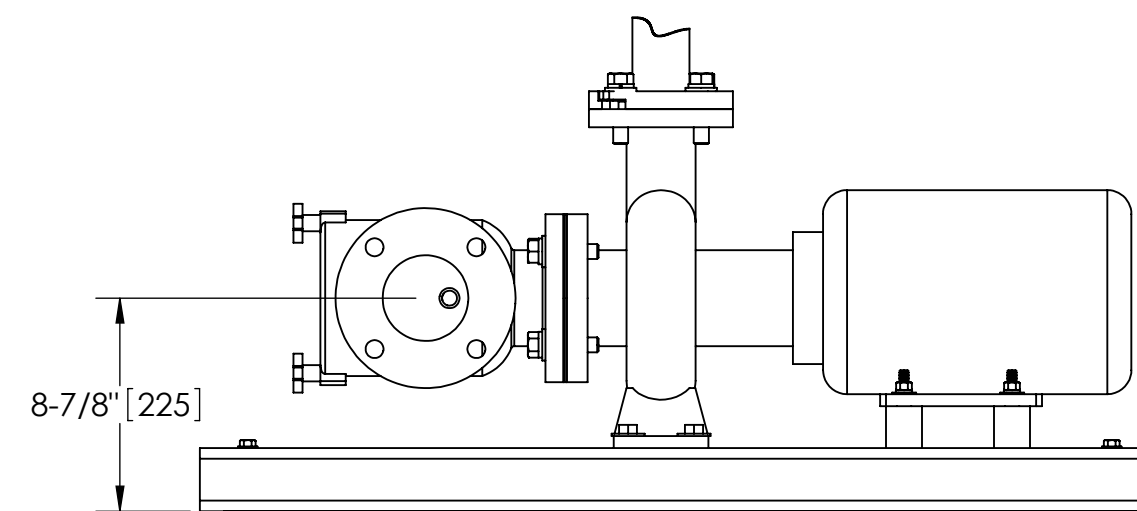
TOP VIEW

SUBMITTAL DRAWING

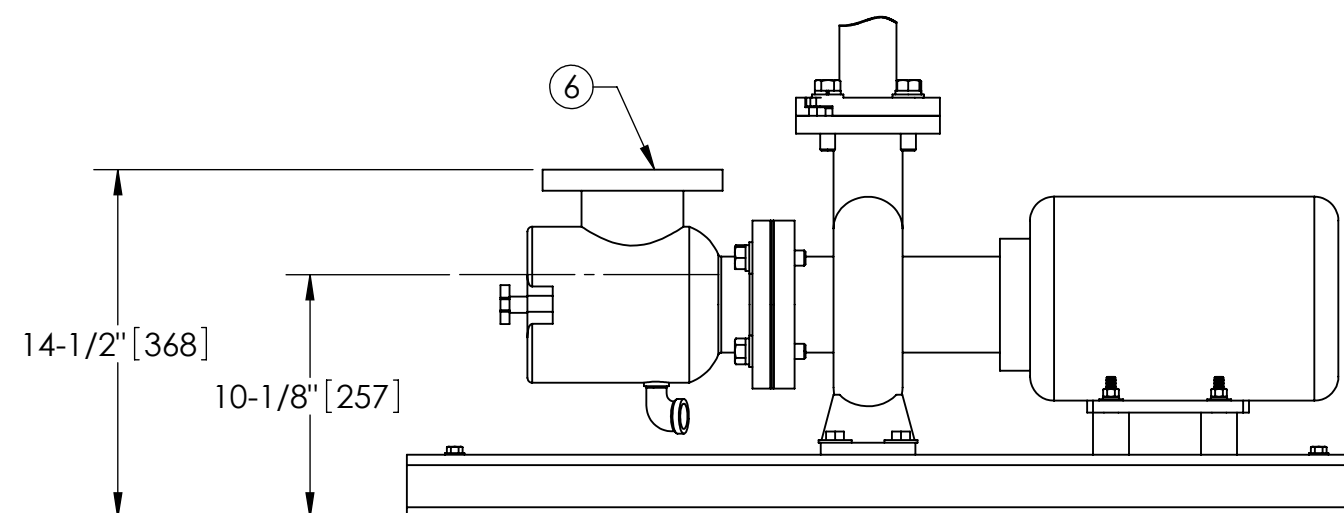
This drawing is submitted for spatial consideration only. Do not pre-plumb to these dimensions.



FRONT VIEW W/O STRAINER



FRONT VIEW ROTATED STRAINER (OPTIONAL)



FRONT VIEW PUMP & STRAINER

UNLESS OTHERWISE SPECIFIED: DIMENSIONS ARE IN: INCHES (mm) TOLERANCES ARE: FRACTIONS DECIMALS ANGLES $\pm 1/2"$.XX $\pm .01$ $\pm 1/4^\circ$.XXX $\pm .005$.XXXX $\pm .0005$	ENGINEERED FOR:		LAKOS CLAUDE LAVAL CORP. FRESNO, CALIFORNIA 93727 WWW.LAKOS.COM				
	STANDARD						
	APPROVALS	DATE	TITLE	eTCX-0110-SRV, TC SYSTEM HI EFFICIENCY eHTX-0060, 3/60/208, 230, 460V			
	DRAWN	11/12/12	ADJ/CAG				
MATERIAL	ENGR	-	-	SIZE	MODEL NO.	DWG NO.	REV.
PER LAKOS SPEC	MFG	-	-	C		135297	D
FINISH	WORK ORDER	-	-	SCALE	1:8	EST. WT.	850 lb
AS ASSEMBLED				SHEET	1 OF 1		

DWG NO. 135297
SHEET D