

EXCEPT AS OTHERWISE PROVIDED BY CONTRACT, THIS DRAWING AND SPECIFICATIONS SHALL NOT BE REPRODUCED, COPIED OR USED AS THE BASIS FOR MANUFACTURE OR SALE OF MATTER DEPICTED HEREIN WITHOUT THE EXPRESSED WRITTEN PERMISSION OF THE CLAUDE LAVAL CORPORATION, OR ITS ASSIGNEES.

REVISION HISTORY				
ZONE	REV	DESCRIPTION	DATE	APPROVED

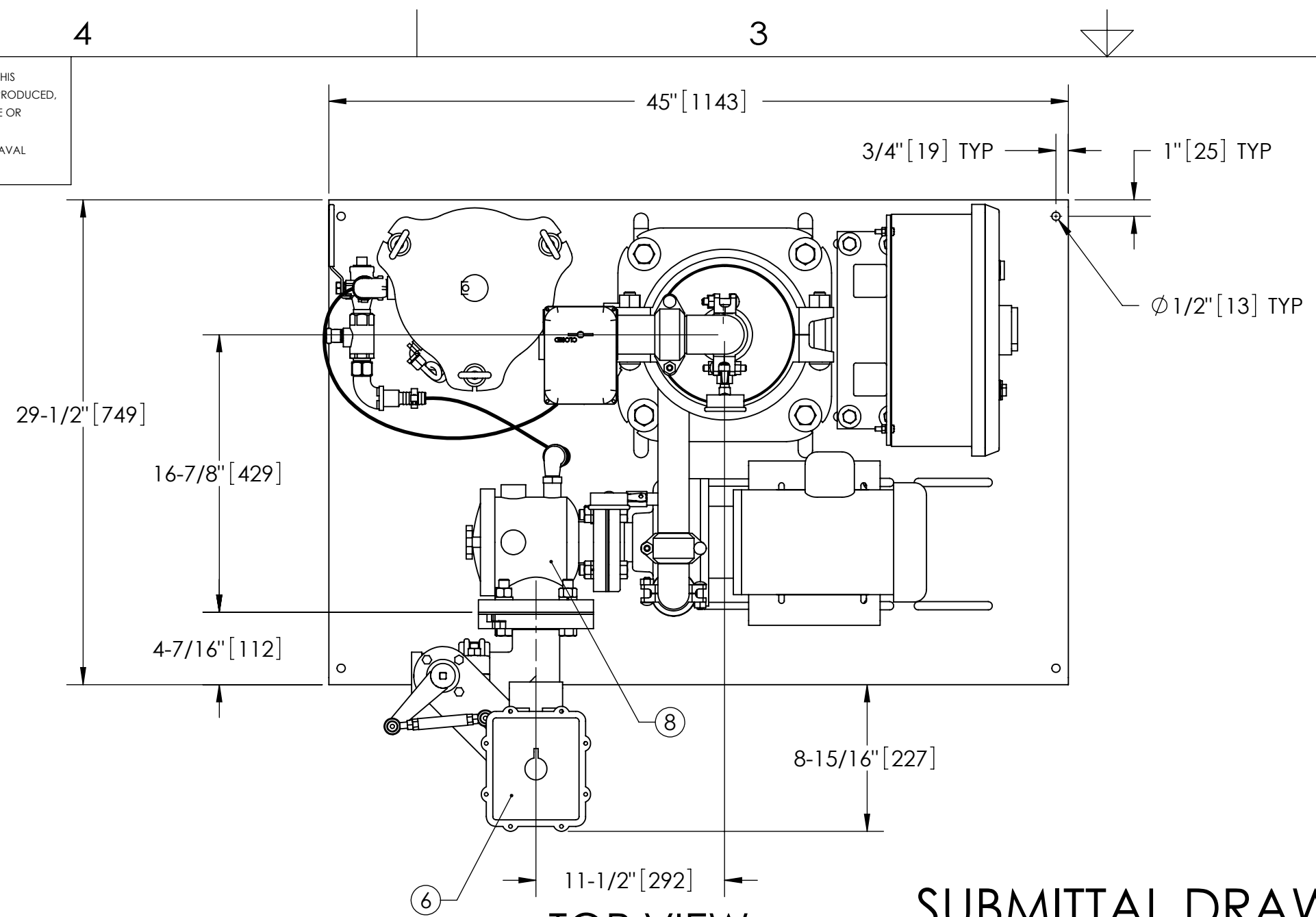
THIS DRAWING HAS BEEN GENERATED AND IS MAINTAINED BY A CAD SYSTEM. CHANGES SHALL ONLY BE INCORPORATED AS DIRECTED BY AN APPROVED ENGINEERING CHANGE ORDER (ECO). PAPER COPIES ARE UNCONTROLLED.

NOTES:

- INLET IS 2-1/2" PIPE (125# ANSI FLANGED).
- OUTLET IS 1-1/2" PIPE (GROOVED).
- PURGE OUTLET IS 3/4" PIPE.
- MAXIMUM PRESSURE: 150 psi (10.3 bar).
- MAX FLUID OPERATING TEMPERATURE: 100°F (37.8°C).
- SPECIFIED FLOW RATES:  
BASIN SWEEPING- 80 gpm (18 m³/hr).  
SIDE STREAM & CLOSED LOOP- 95 gpm (22 m³/hr).
- FINISH: AS ASSEMBLED.
- POWER REQUIREMENT: 208V/230V/460V, 3PH, 60Hz. (CUSTOMER SPECIFIED)
- NEMA 4X MOTOR STARTER ENCLOSURE WITH SAFETY DISCONNECT AND H.O.A. SWITCH.
- APPROXIMATE DRY WEIGHT: 707 lbs (321 kg).
- INLET/OUTLET VALVE KIT RECOMMENDED. SEE FACTORY.
- MINIMUM PIPE FROM TOWER BASIN TO TC SYSTEM IS 2-1/2" PIPE.
- FLOODED SUCTION REQUIRED.

COMPONENT LIST:

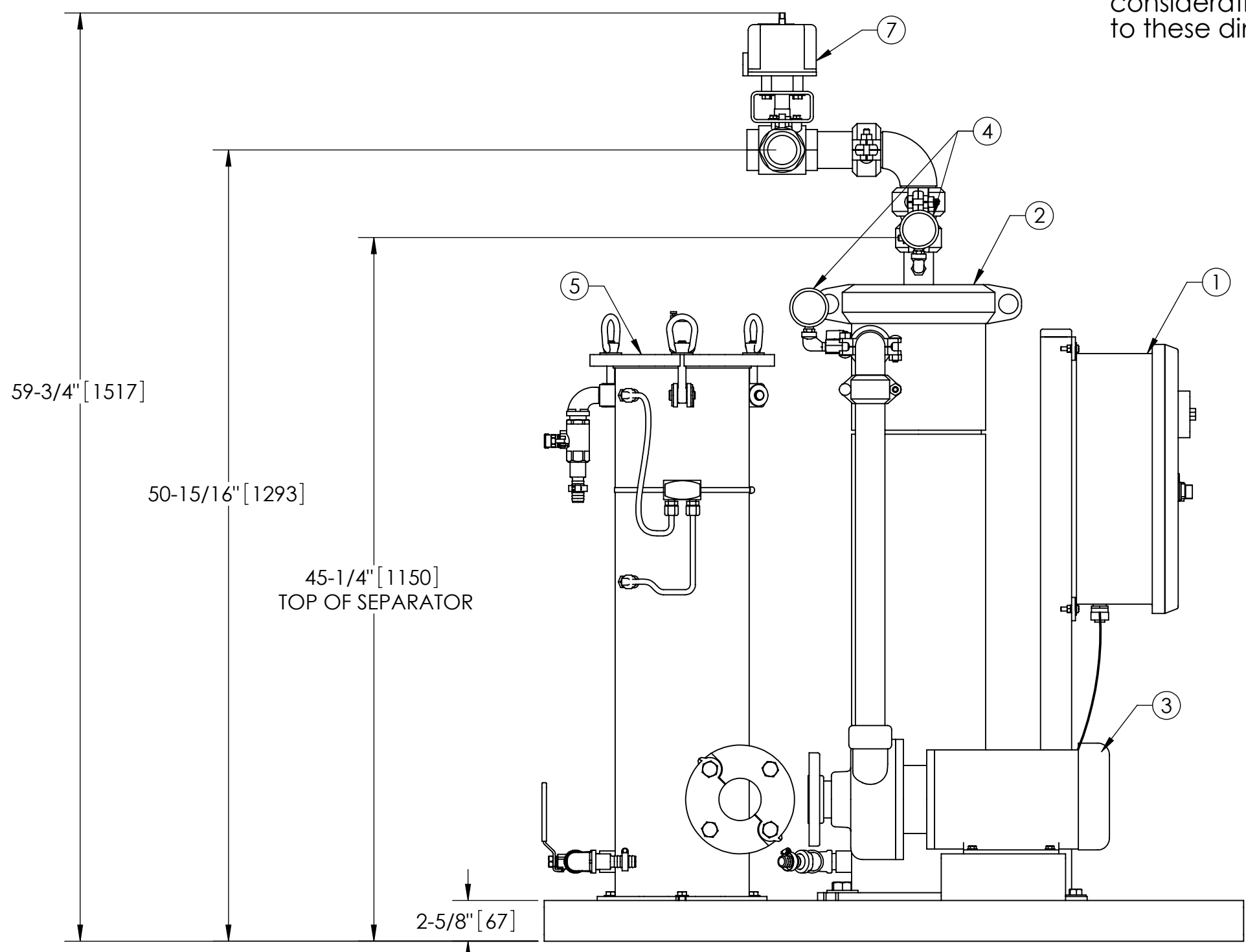
- ELECTRICAL CONTROL BOX: 3/60/208, 230, 460V, W/120V TRANSFORMER.
- SEPARATOR: eHTX-0040-V.
- PUMP: 2 HP CENTRIFUGAL, 3600 rpm, 208V/230V/460V, 60Hz.
- INLET/OUTLET PRESSURE GAUGES: 0-160 psi, GLYCERIN-FILLED.
- PURGE EQUIPMENT: SRV-833.
- INLET SWITCHING VALVE ASM.
- OUTLET SWITCHING VALVE ASM.
- STRAINER, SUCTION DIFFUSER.



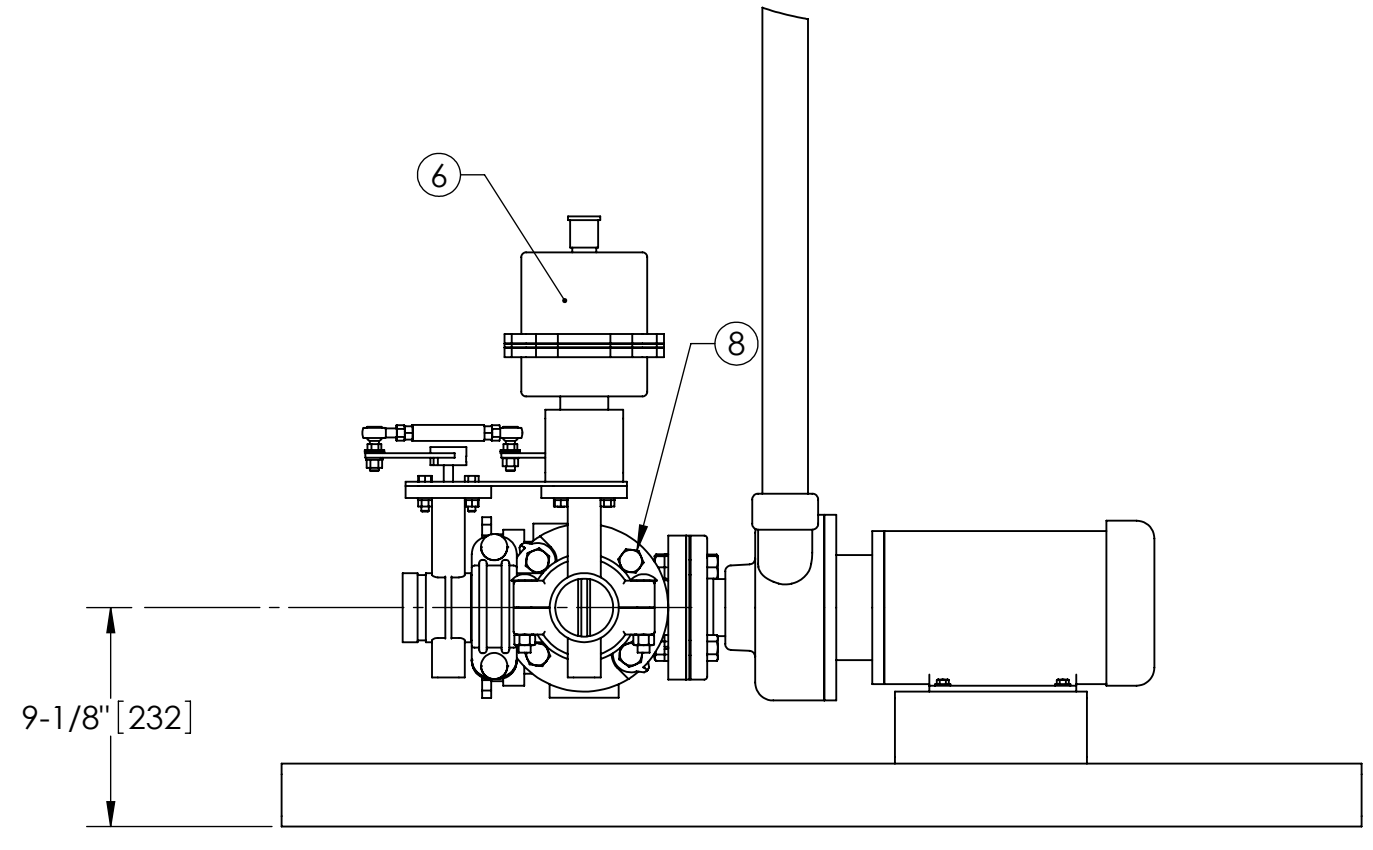
TOP VIEW

SUBMITTAL DRAWING

This drawing is submitted for spatial consideration only. Do not pre-plumb to these dimensions.



FRONT VIEW W/O STRAINER



FRONT VIEW PUMP & STRAINER

UNLESS OTHERWISE SPECIFIED: DIMENSIONS ARE IN: INCHES (mm) TOLERANCES ARE: FRACTIONS DECIMALS ANGLES ± 1/2" .XX ± .01 ± 1/4" .XXX ± .005 .XXXX ± .0005	ENGINEERED FOR: <b>STANDARD</b>	LAKOS. CLAUDE LAVAL CORP. FRESNO, CALIFORNIA 93727 WWW.LAKOS.COM		LAKOS UNDERGROUND SURVEYS
	APPROVALS	DATE	TITLE	
DO NOT SCALE DRAWING	DRAWN ADJ/CAG	11/12/12	eTCX-0080-SRV/2TWR, TC SYSTEM HI EFFICIENCY eHTX-0040, 3/60/208, 230, 460V	
MATERIAL PER LAKOS SPEC	ENGR	-	SIZE C	MODEL NO.
FINISH AS ASSEMBLED	MFG	-	DWG NO. 135310	REV. A
	WORK ORDER	QTY.	SCALE 1:8	EST. WT. 707 lb
			SHEET 1 OF 1	

D  
C  
B  
A

D  
C  
B  
A

DWG NO. 135310  
SHEET A