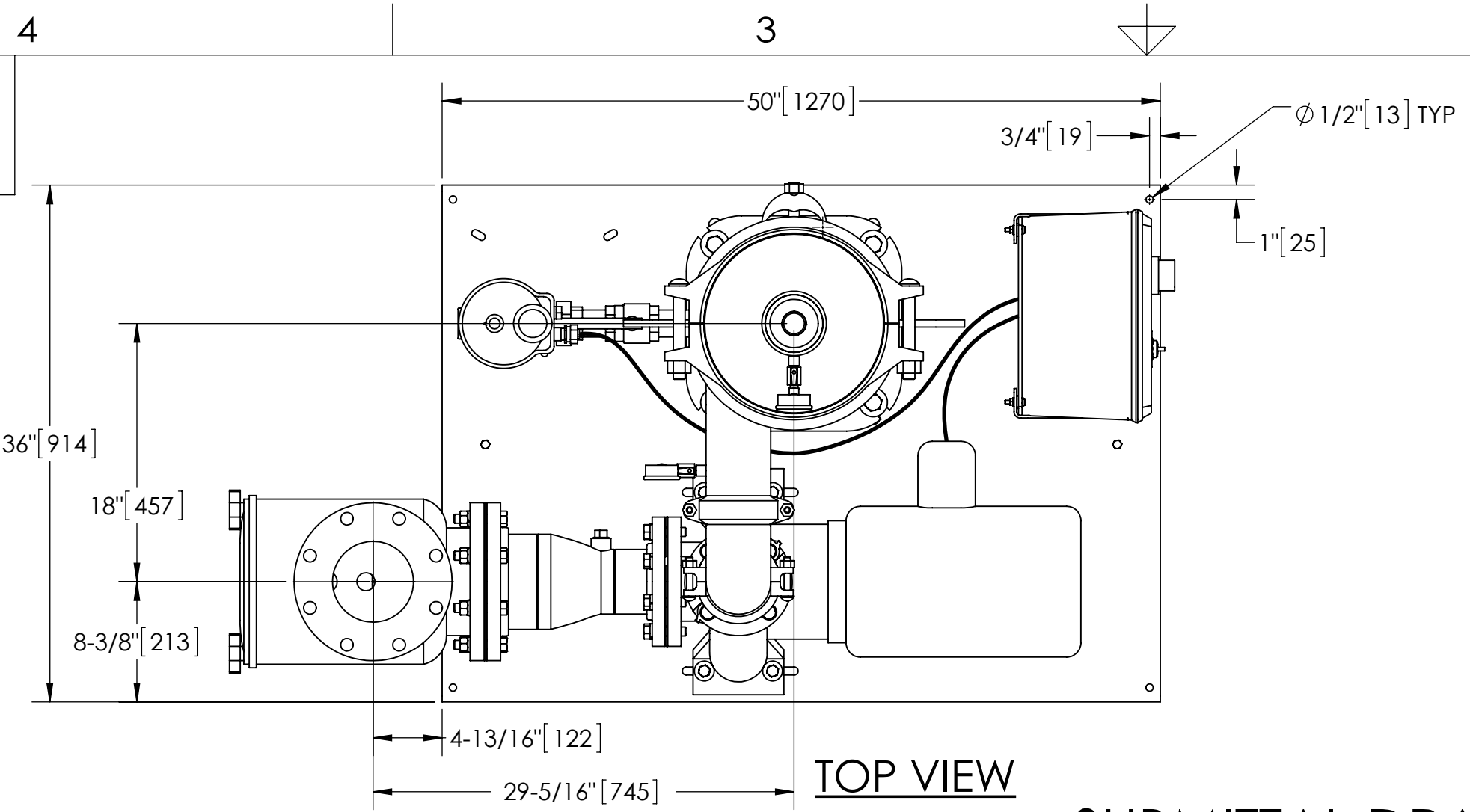


EXCEPT AS OTHERWISE PROVIDED BY CONTRACT, THIS DRAWING AND SPECIFICATIONS SHALL NOT BE REPRODUCED, COPIED OR USED AS THE BASIS FOR MANUFACTURE OR SALE OF MATTER DEPICTED HEREIN WITHOUT THE EXPRESSED WRITTEN PERMISSION OF THE CLAUDE LAVAL CORPORATION, OR ITS ASSIGNEES.



TOP VIEW

SUBMITTAL DRAWING

This drawing is submitted for spatial consideration only. Do not pre-plumb to these dimensions.

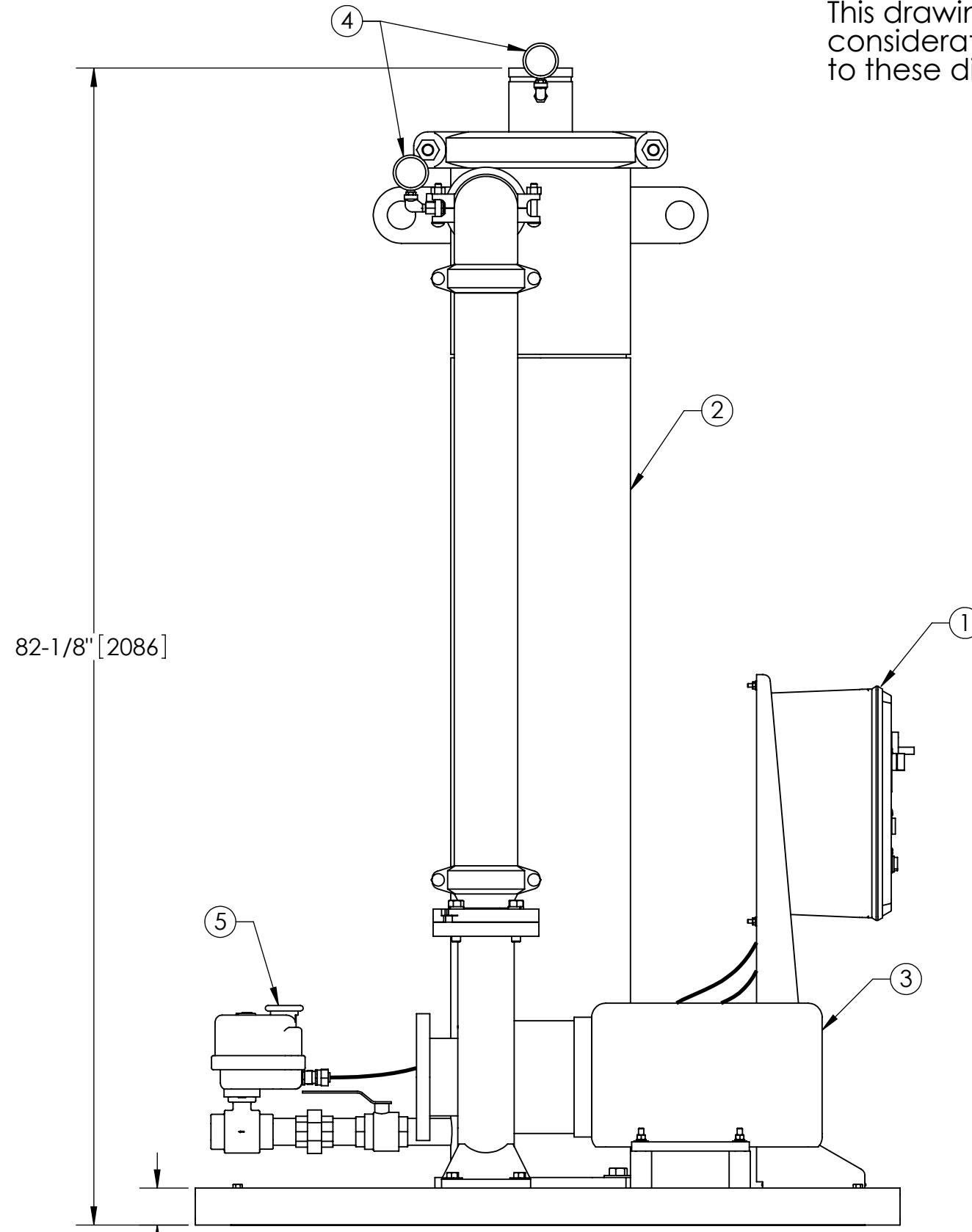
REVISION HISTORY				
ZONE	REV	DESCRIPTION	DATE	APPROVED

NOTES:

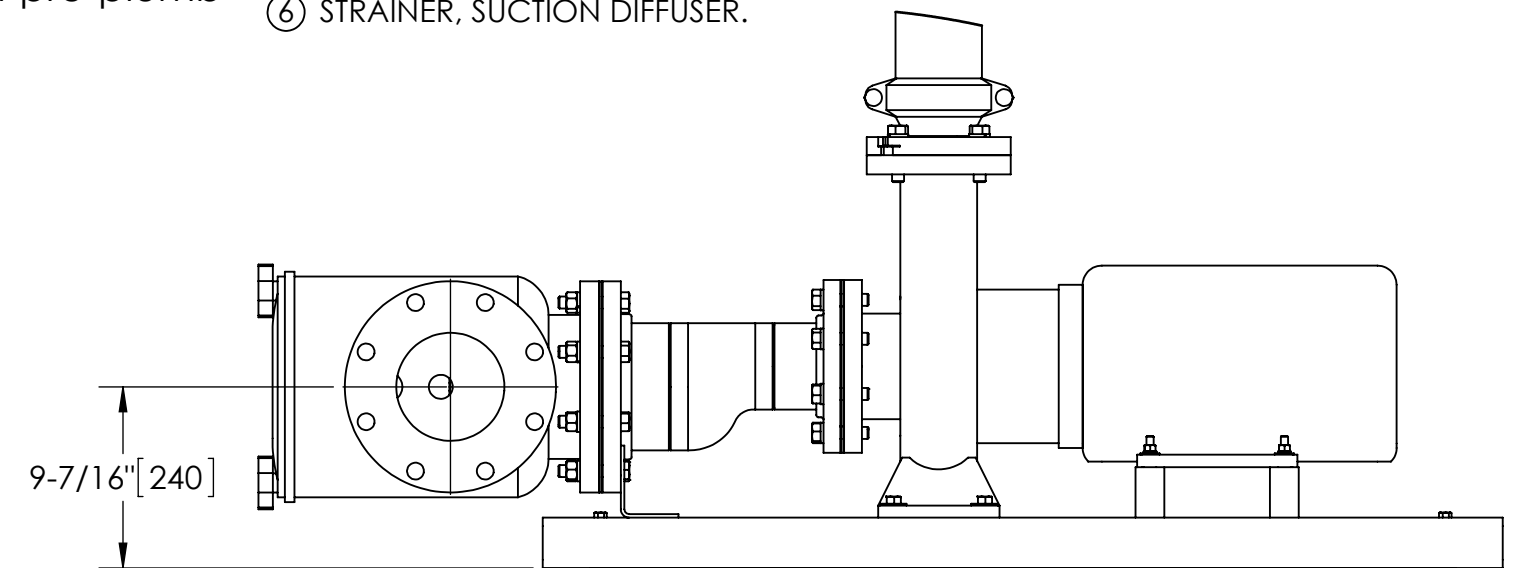
1. INLET IS 6" PIPE (125# ANSI FLANGED).
2. OUTLET IS 4" PIPE (GROOVED).
3. PURGE OUTLET IS 1-1/2" PIPE.
4. MAXIMUM PRESSURE: 150 psi (10.3 bar).
5. MAX FLUID OPERATING TEMPERATURE: 100°F (37.8°C).
6. SPECIFIED FLOW RATES:
BASIN SWEEPING- 410 gpm (93 m³/hr).
SIDE STREAM & CLOSED LOOP- 500 gpm (114 m³/hr).
7. FINISH: AS ASSEMBLED.
8. POWER REQUIREMENT: 208V/230V/460V, 3PH, 60Hz. (CUSTOMER SPECIFIED)
9. NEMA 4X MOTOR STARTER ENCLOSURE WITH SAFETY DISCONNECT AND H.O.A. SWITCH.
10. APPROXIMATE DRY WEIGHT: 1618 lbs (734 kg).
11. INLET/OUTLET VALVE KIT RECOMMENDED: SEE FACTORY.
12. MINIMUM PIPE FROM TOWER BASIN TO TC SYSTEM IS 6" PIPE.
13. FLOODED SUCTION REQUIRED.

COMPONENT LIST:

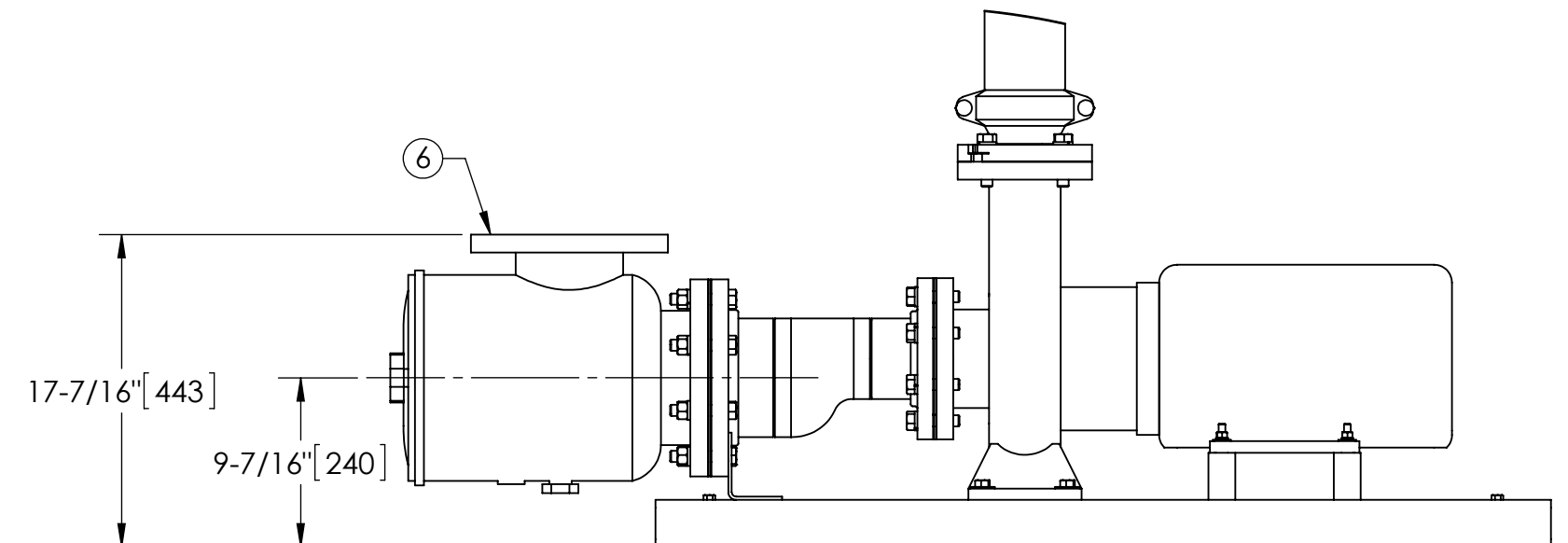
- ① ELECTRICAL CONTROL BOX 208V/230V/460V, 60Hz W/120V TRANSFORMER.
- ② SEPARATOR: eHTX-0185-V.
- ③ PUMP: 10 HP CENTRIFUGAL, 1800 rpm, 208V/230V/460V, 60Hz.
- ④ INLET/OUTLET PRESSURE GAUGES: 0-100 psi, GLYCERIN-FILLED.
- ⑤ PURGE EQUIPMENT: EFS-15-120V.
- ⑥ STRAINER, SUCTION DIFFUSER.



FRONT VIEW W/O STRAINER



FRONT VIEW ROTATED STRAINER (OPTIONAL)



FRONT VIEW PUMP & STRAINER

THIS DRAWING HAS BEEN GENERATED AND IS MAINTAINED BY A CAD SYSTEM. CHANGES SHALL ONLY BE INCORPORATED AS DIRECTED BY AN APPROVED ENGINEERING CHANGE ORDER (ECO). PAPER COPIES ARE UNCONTROLLED.

UNLESS OTHERWISE SPECIFIED: DIMENSIONS ARE IN: INCHES (mm) TOLERANCES ARE:		ENGINEERED FOR: STANDARD	
FRACTIONS ± 1/2"	DECIMALS .XX ± .01 .XXX ± .005 .XXXX ± .0005	ANGLES ± 1/4°	APPROVALS
DO NOT SCALE DRAWING		DRAWN	TRR
MATERIAL PER LAKOS SPEC		ENGR	-
FINISH AS ASSEMBLED		MFG	-
		WORK ORDER	QTY.

DATE		12/10/12	
DATE		-	
DATE		-	
DATE		-	

LAKOS.		CLAUDE LAVAL CORP. FRESNO, CALIFORNIA 93727 WWW.LAKOS.COM	
TITLE eTCX-0410-EFS, TC SYSTEM HI EFFICIENCY eHTX-0185, 3/60/208, 230, 460V			
SIZE C	MODEL NO.	DWG NO. 135309	REV. D
SCALE 1:10	EST. WT. 1618 lb	SHEET 1 OF 1	

DWG NO. 135309
REV. D