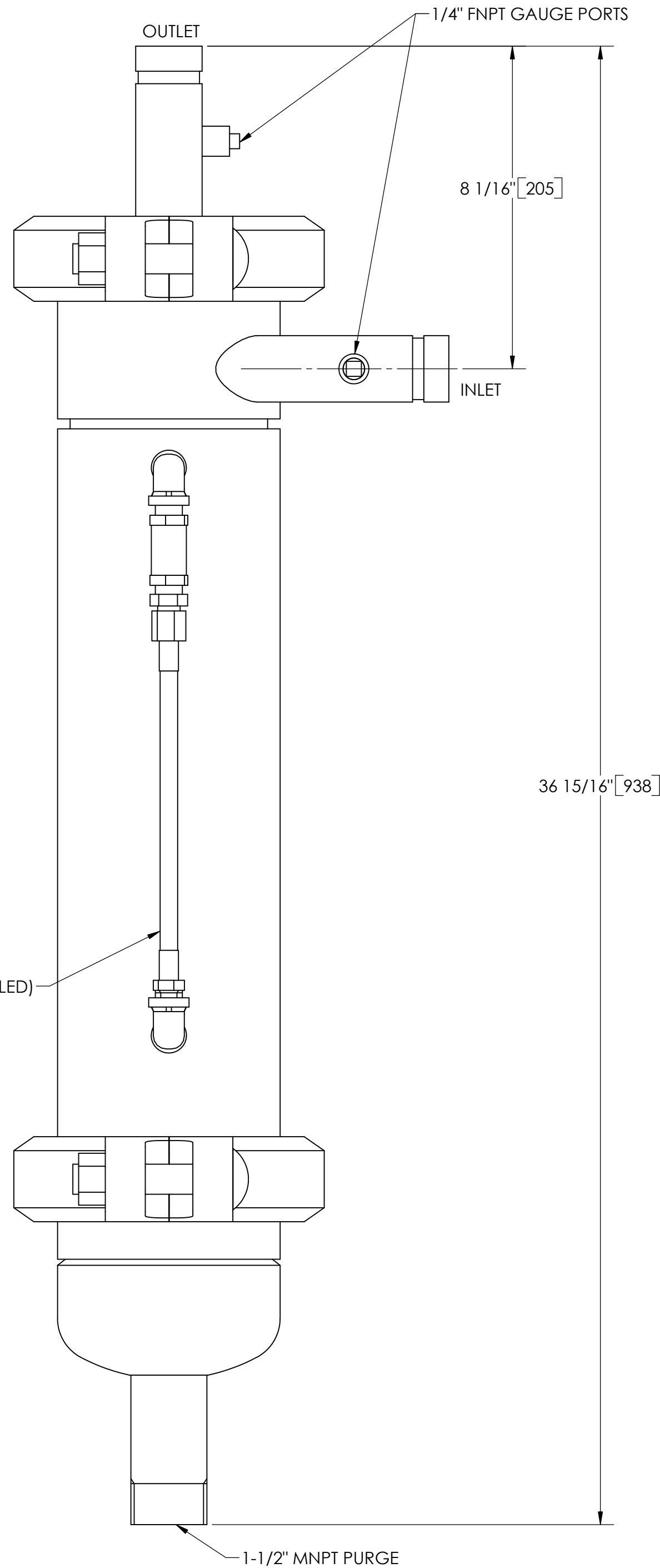


EXCEPT AS OTHERWISE PROVIDED BY CONTRACT, THIS DRAWING AND SPECIFICATIONS SHALL NOT BE REPRODUCED, COPIED OR USED AS THE BASIS FOR MANUFACTURE OR SALE OF MATTER DEPICTED HEREIN WITHOUT THE EXPRESSED WRITTEN PERMISSION OF THE CLAUDE LAVAL CORPORATION, OR ITS ASSIGNEES.

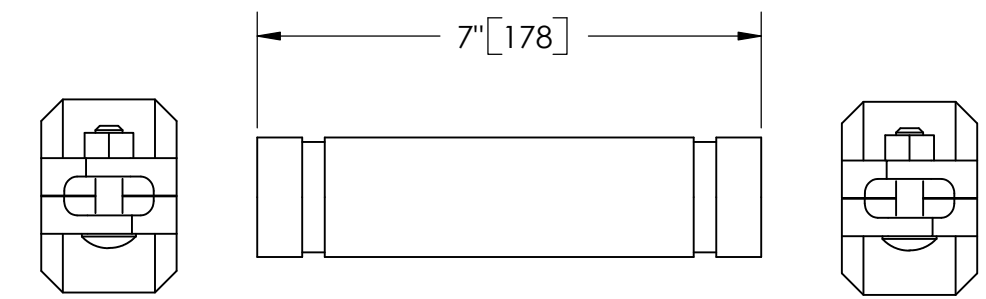
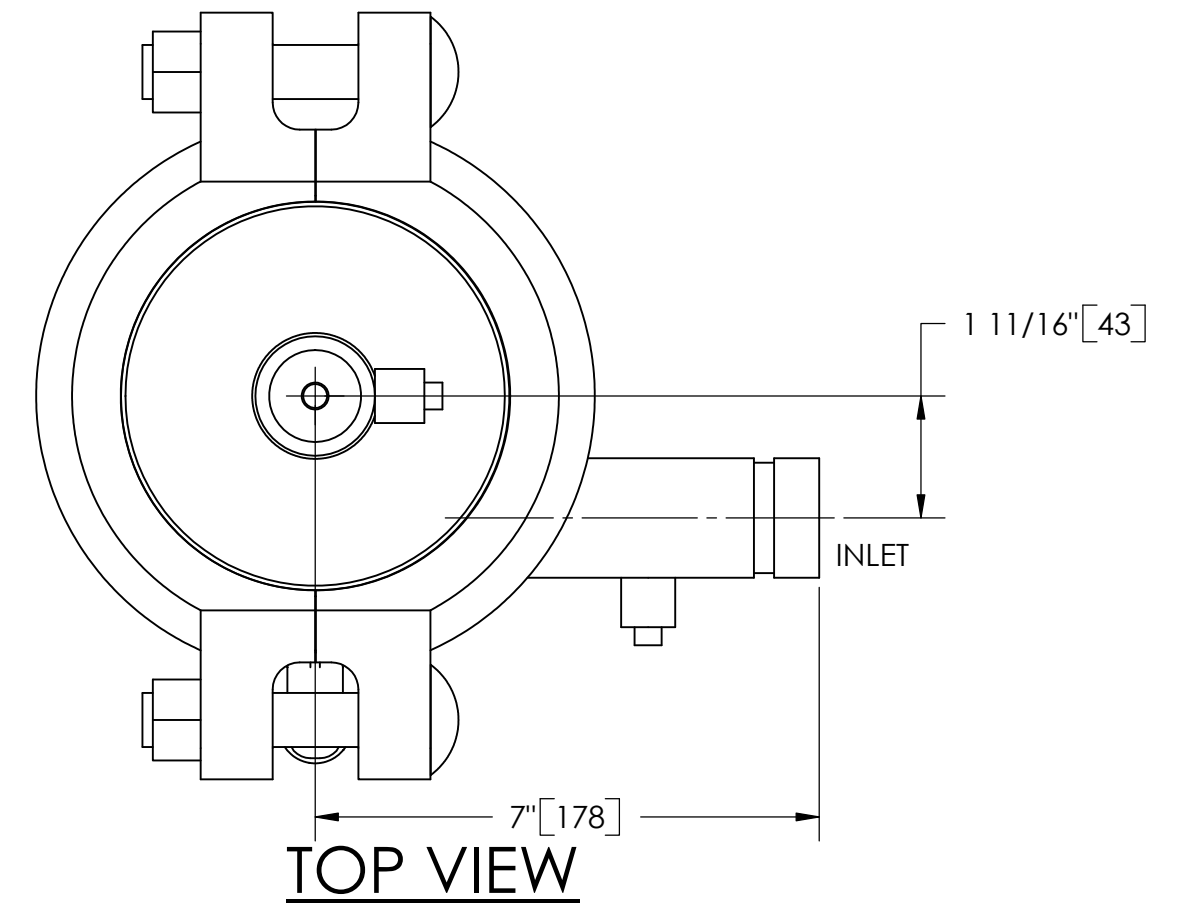
NOTES:

1. INLET & OUTLET ARE 1-1/4" GROOVED PIPE.
2. MAXIMUM PRESSURE: 150 psi (10.3 bar).
3. MAXIMUM TEMPERATURE: 180°F (82.2°C).
4. PRESSURE LOSS: 3-12 psid (.2-.8 barg) AT RATED FLOW.
5. RATED FLOW: 28-45 gpm (7-10 m³/hr).
6. APPROXIMATE DRY WEIGHT: 83 lbs (38 kg).
7. FINISH: LAKOS BLUE (EXTERIOR ONLY).



REVISION HISTORY				
ZONE	REV	DESCRIPTION	DATE	APPROVED

THIS DRAWING HAS BEEN GENERATED AND IS MAINTAINED BY A CAD SYSTEM. CHANGES SHALL ONLY BE INCORPORATED AS DIRECTED BY AN APPROVED ENGINEERING CHANGE ORDER (ECO). PAPER COPIES ARE UNCONTROLLED.



GROOVED SPOOL
MODEL GCS-0028 (AVAILABLE SEPARATELY)
REQUIRED FOR REMOVAL OF TOP ASSEMBLY

SUBMITTAL DRAWING

This drawing is submitted for spatial consideration only. Do not pre-plumb to these dimensions.

<small>UNLESS OTHERWISE SPECIFIED: DIMENSIONS ARE IN: INCHES [mm] TOLERANCES ARE: FRACTIONS DECIMALS ANGLES ± 1/4" .XX ± .01 ± 1/4° .XXX ± .005 .XXXX ± .0005</small>	ENGINEERED FOR: STANDARD		CLAUDE LAVAL CORP. FRESNO, CALIFORNIA 93727 WWW.LAKOS.COM			
	APPROVALS	DATE	TITLE			
	DRAWN DLW	1/16/06	JPX-0028, SEPARATOR, 28-45 gpm, CARBON STEEL			
	ENGR β	2/6/06	SIZE C	MODEL NO.		DWG NO. 115239
MATERIAL CLASS P-1 MILD CARBON STEEL	MFG -	WORK ORDER	QTY.	SCALE 3:8	EST. WT. 84 lb	SHEET 1 OF 1
FINISH LAKOS BLUE						

DWG NO. 115239 SHEET 1 REV. C