

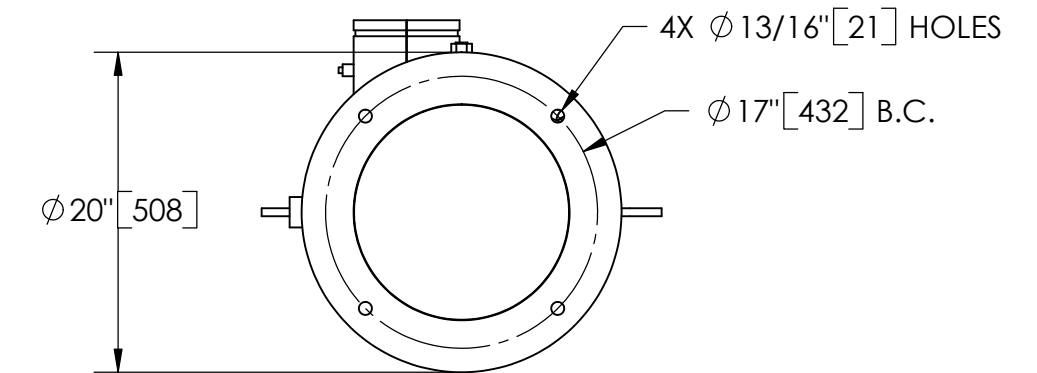
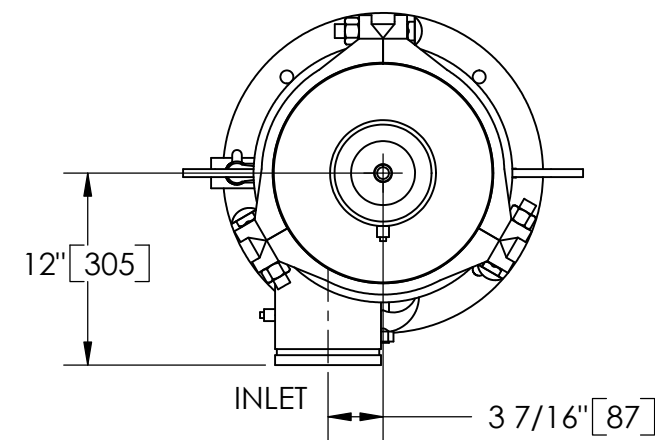
EXCEPT AS OTHERWISE PROVIDED BY CONTRACT, THIS DRAWING AND SPECIFICATIONS SHALL NOT BE REPRODUCED, COPIED OR USED AS THE BASIS FOR MANUFACTURE OR SALE OF MATTER DEPICTED HEREIN WITHOUT THE EXPRESSED WRITTEN PERMISSION OF THE CLAUDE LAVAL CORPORATION, OR ITS ASSIGNEES.

NOTES:

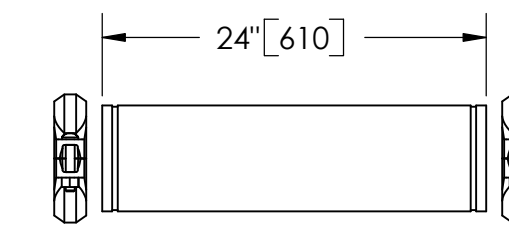
1. INLET & OUTLET ARE 6" GROOVED PIPE.
2. MAXIMUM PRESSURE: 150 psi (10.3 bar).
3. MAXIMUM TEMPERATURE: 180°F (82.2°C).
4. PRESSURE LOSS: 3-12 psid (.2-.8 bar) AT RATED FLOW.
5. RATED FLOW: 450-825 gpm (102-187 m<sup>3</sup>/hr).
6. APPROXIMATE DRY WEIGHT: 697 lbs (317 kg).
7. FINISH: LAKOS BLUE (EXTERIOR ONLY).

REVISION HISTORY				
ZONE	REV	DESCRIPTION	DATE	APPROVED

THIS DRAWING HAS BEEN GENERATED AND IS MAINTAINED BY A CAD SYSTEM. CHANGES SHALL ONLY BE INCORPORATED AS DIRECTED BY AN APPROVED ENGINEERING CHANGE ORDER (ECO). PAPER COPIES ARE UNCONTROLLED.



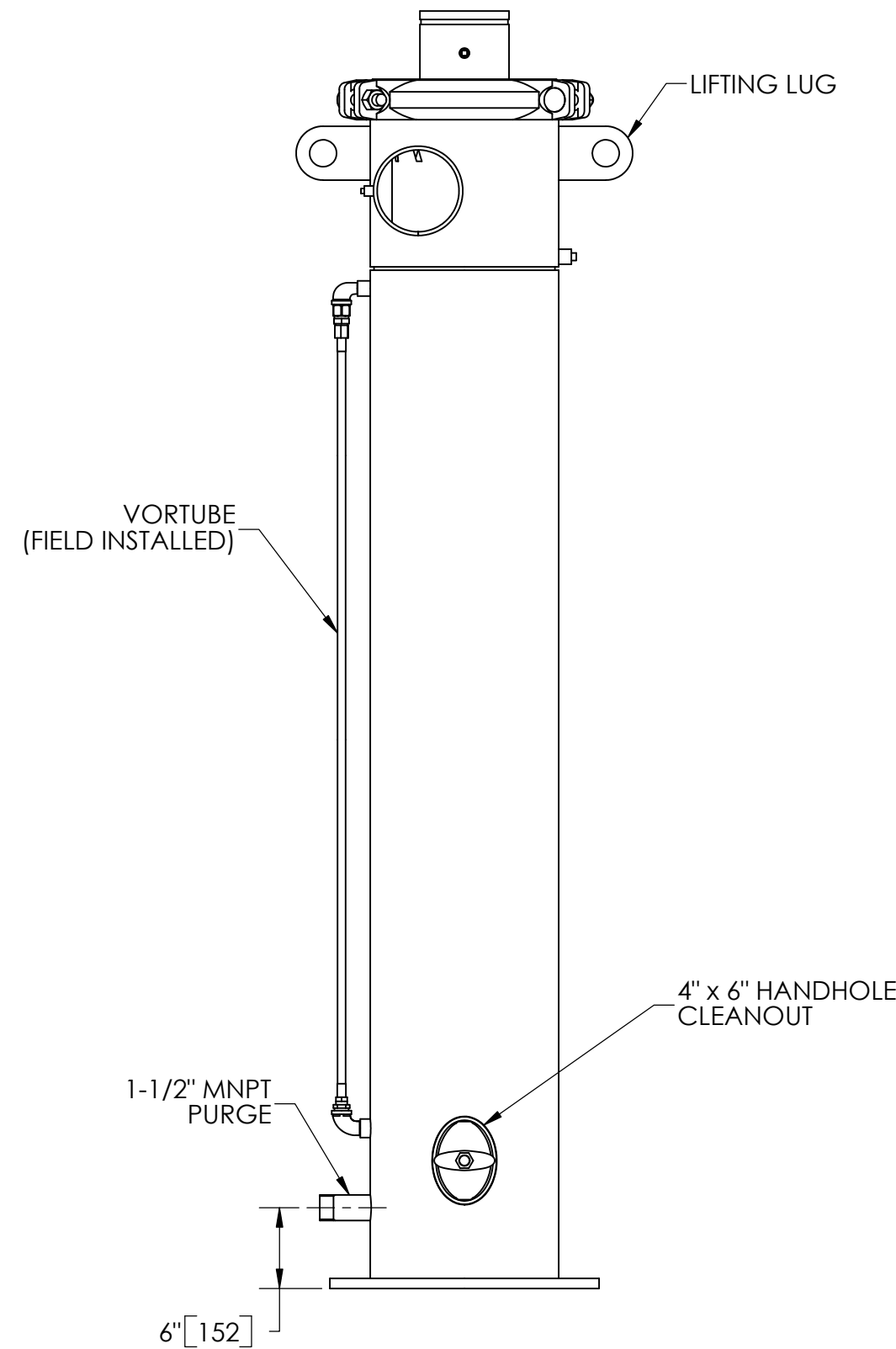
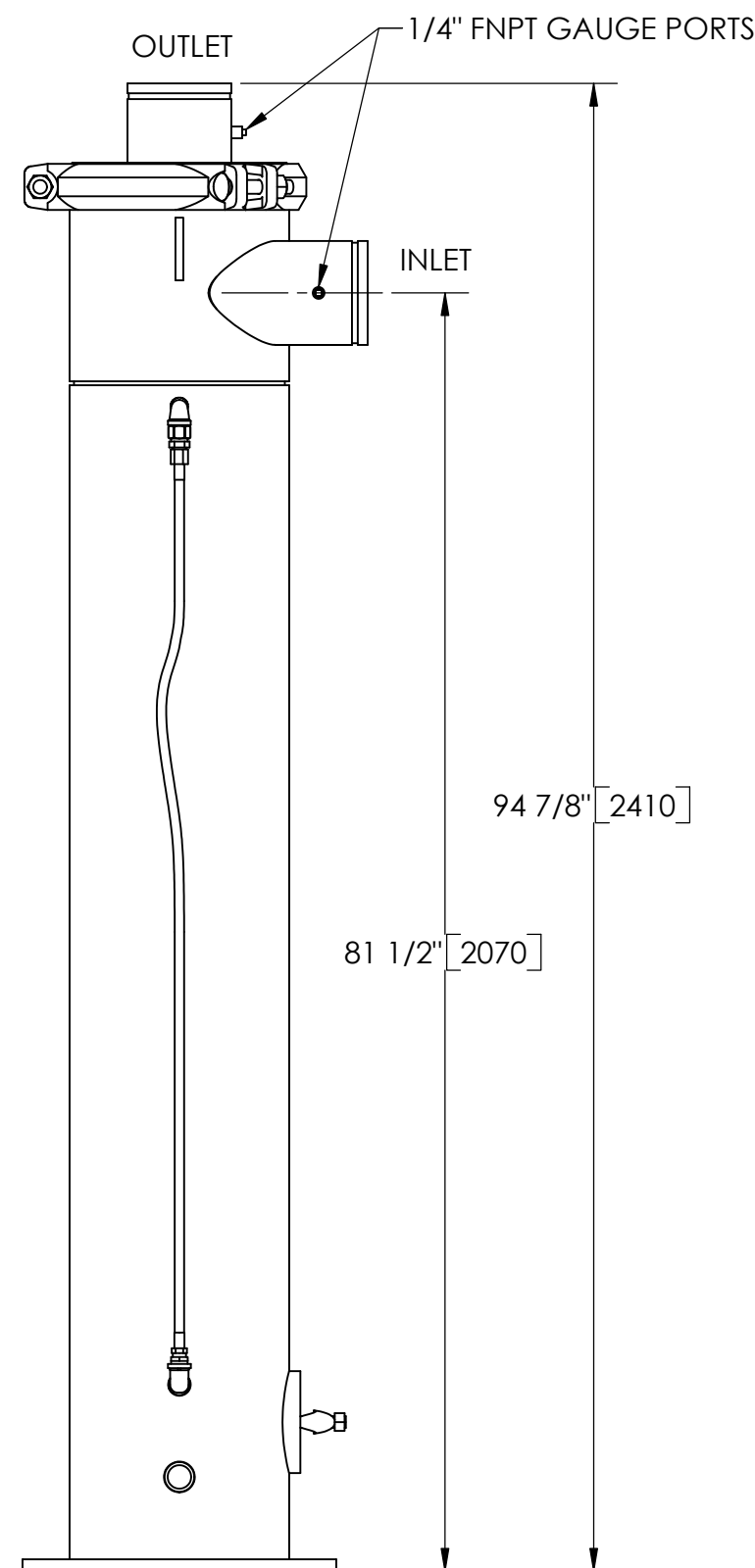
**BOTTOM VIEW**



**GROOVED SPOOL**  
MODEL GCS-0450/0500/0650 (AVAILABLE SEPARATELY)  
REQUIRED FOR REMOVAL OF TOP ASSEMBLY

**SUBMITTAL DRAWING**

This drawing is submitted for spatial consideration only. Do not pre-plumb to these dimensions.



UNLESS OTHERWISE SPECIFIED: DIMENSIONS ARE IN: INCHES (mm) TOLERANCES ARE:		ENGINEERED FOR: <b>STANDARD</b>		<b>LAKOS</b> CLAUDE LAVAL CORP. FRESNO, CALIFORNIA 93727 WWW.LAKOS.COM		LAVAL UNDERGROUND SURVEYS	
FRACTIONS ± 1/4"	DECIMALS .XX ± .01 .XXX ± .005 .XXXX ± .0005	ANGLES ± 1/4°	APPROVALS	DATE	TITLE <b>JPX-0450-V, SEPARATOR, 450-825 gpm, CARBON STEEL</b>		
DO NOT SCALE DRAWING			DRAWN DLW	1/27/06	SIZE <b>C</b>		
MATERIAL CLASS P-1 MILD CARBON STEEL			ENGR β	2/6/06	MODEL NO.		DWG NO. <b>115246</b>
FINISH LAKOS BLUE			MFG -	-	SCALE 1:12		EST. WT. 697 lb
			WORK ORDER	QTY.	SHEET 1 OF 1		REV. <b>D</b>

DWG NO. 115246  
SHEET 1  
REV. D