

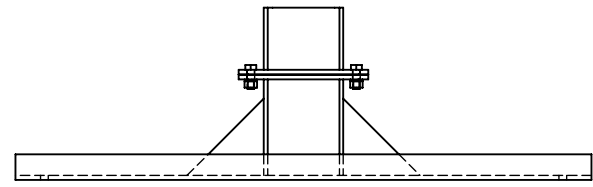
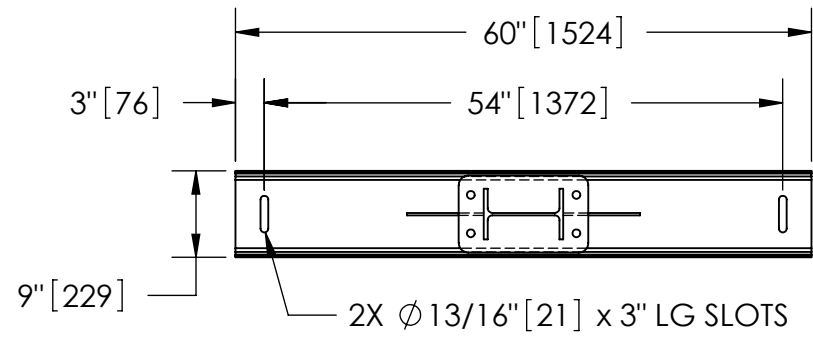
EXCEPT AS OTHERWISE PROVIDED BY CONTRACT, THIS DRAWING AND SPECIFICATIONS SHALL NOT BE REPRODUCED, COPIED OR USED AS THE BASIS FOR MANUFACTURE OR SALE OF MATTER DEPICTED HEREIN WITHOUT THE EXPRESSED WRITTEN PERMISSION OF THE CLAUDE LAVAL CORPORATION, OR ITS ASSIGNEES.

NOTES:

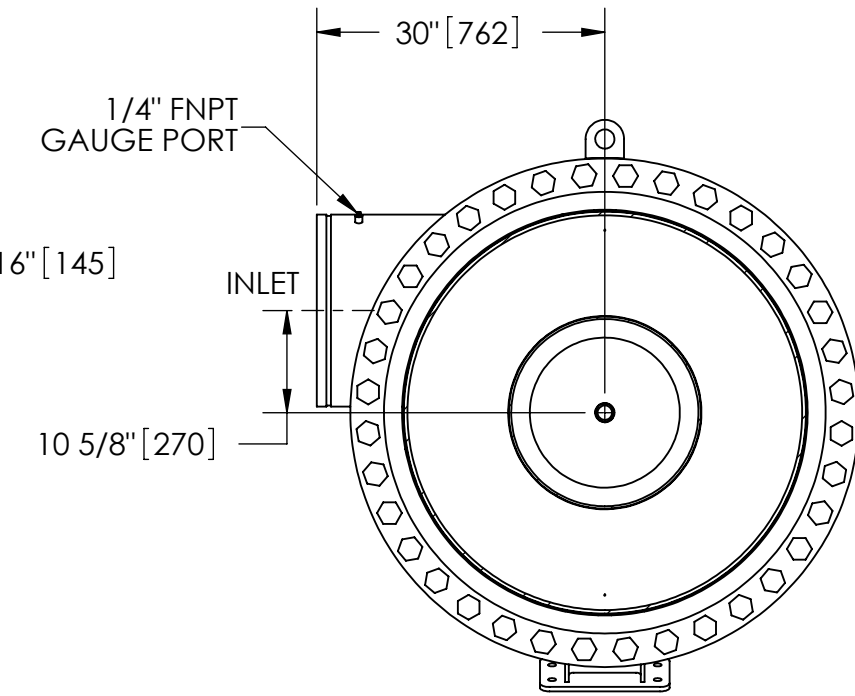
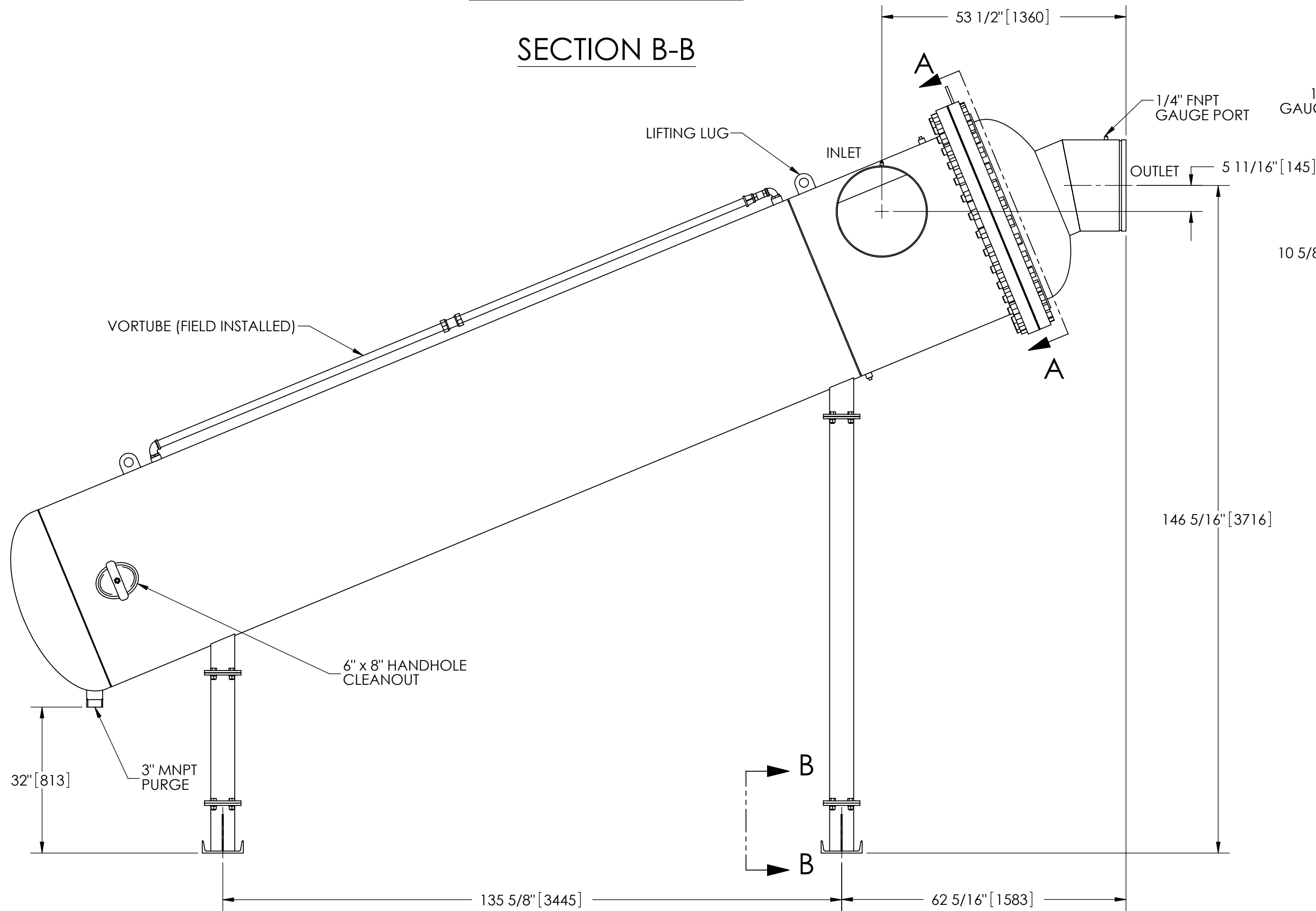
1. INLET & OUTLET ARE 20" GROOVED PIPE.
2. MAXIMUM PRESSURE: 150 psi (10.3 bar).
3. MAXIMUM TEMPERATURE: 180°F (82.2°C).
4. PRESSURE LOSS: 3-12 psid (.2-.8 bar) AT RATED FLOW.
5. RATED FLOW: 6700-12750 gpm (1520-2895 m³/hr).
6. APPROXIMATE DRY WEIGHT: 8476 lbs (3845 kg).
7. FINISH: LAKOS BLUE (EXTERIOR ONLY).

REVISION HISTORY				
ZONE	REV	DESCRIPTION	DATE	APPROVED

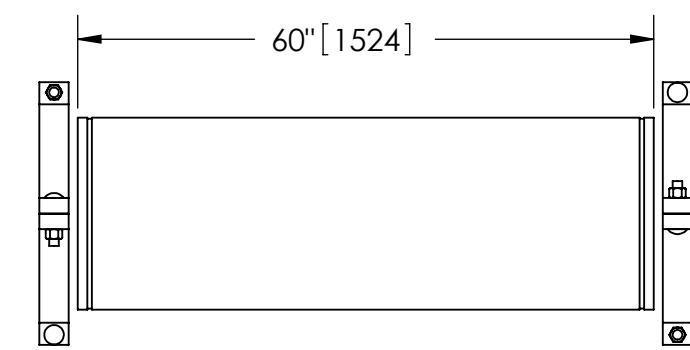
THIS DRAWING HAS BEEN GENERATED AND IS MAINTAINED BY A CAD SYSTEM. CHANGES SHALL ONLY BE INCORPORATED AS DIRECTED BY AN APPROVED ENGINEERING CHANGE ORDER (ECO). PAPER COPIES ARE UNCONTROLLED.



SECTION B-B



SECTION A-A



GROOVED SPOOL
MODEL GCS-6700 (AVAILABLE SEPARATELY)
REQUIRED FOR REMOVAL OF TOP ASSEMBLY

SUBMITTAL DRAWING

This drawing is submitted for spatial consideration only. Do not pre-plumb to these dimensions.

<small>UNLESS OTHERWISE SPECIFIED: DIMENSIONS ARE IN: INCHES [mm] TOLERANCES ARE: FRACTIONS DECIMALS ANGLES ± 1/4" .XX ± .01 ± 1/4° .XXX ± .005 .XXXX ± .0005</small>	ENGINEERED FOR: STANDARD			<small>CLAUDE LAVAL CORP. FRESNO, CALIFORNIA 93727 WWW.LAKOS.COM</small>		
	APPROVALS	DATE		TITLE		
	DRAWN DLW	1/26/06		JPX-6700-L, SEPARATOR, 6700-12750 gpm, CARBON STEEL		
	ENGR b	2/6/06		SIZE C	MODEL NO.	
MATERIAL CLASS P-1 MILD CARBON STEEL	MFG -	WORK ORDER	QTY.	SCALE 1:20	EST. WT. 8476 lb	SHEET 1 OF 1

DWG. NO. 115257 SHEET 1 REV. E