

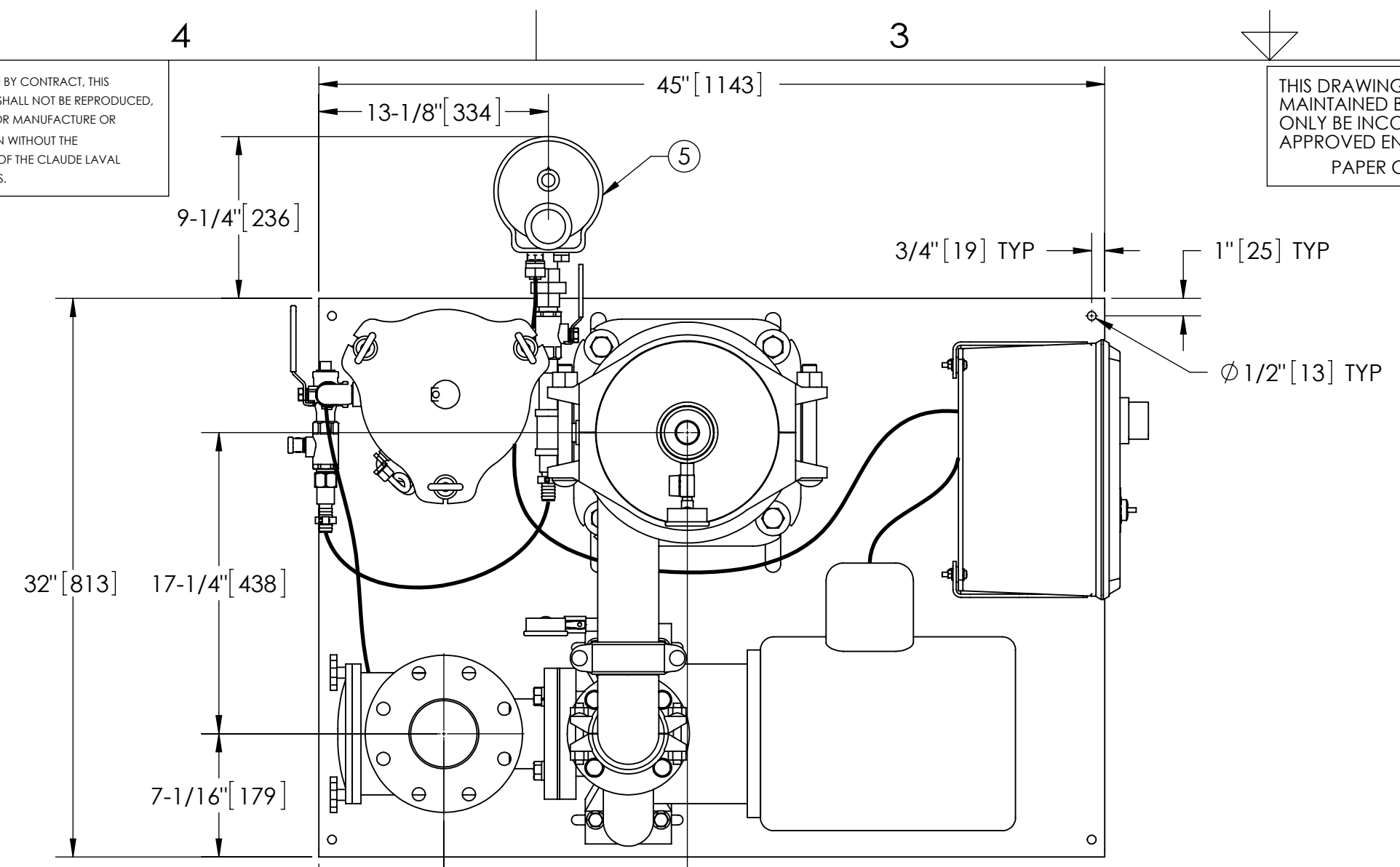
EXCEPT AS OTHERWISE PROVIDED BY CONTRACT, THIS DRAWING AND SPECIFICATIONS SHALL NOT BE REPRODUCED, COPIED OR USED AS THE BASIS FOR MANUFACTURE OR SALE OF MATTER DEPICTED HEREIN WITHOUT THE EXPRESSED WRITTEN PERMISSION OF THE CLAUDE LAVAL CORPORATION, OR ITS ASSIGNEES.

THIS DRAWING HAS BEEN GENERATED AND IS MAINTAINED BY A CAD SYSTEM. CHANGES SHALL ONLY BE INCORPORATED AS DIRECTED BY AN APPROVED ENGINEERING CHANGE ORDER (ECO). PAPER COPIES ARE UNCONTROLLED.

| REVISION HISTORY | | | | |
|------------------|-----|-------------|------|----------|
| ZONE | REV | DESCRIPTION | DATE | APPROVED |
| | | | | |

- NOTES:**
- INLET IS 4" PIPE (125# ANSI FLANGED).
 - OUTLET IS 3" PIPE (GROOVED).
 - PURGE OUTLET IS 3/4" PIPE.
 - MAXIMUM PRESSURE: 150 psi (10.3 bar).
 - MAX FLUID OPERATING TEMPERATURE: 100°F (37.8°C).
 - SPECIFIED FLOW RATES:
 BASIN SWEEPING- 210 gpm (48 m³/hr).
 SIDE STREAM & CLOSED LOOP- 250 gpm (57 m³/hr).
 - FINISH: AS ASSEMBLED.
 - POWER REQUIREMENT: 208V/230V/460V, 3PH, 60Hz. (CUSTOMER SPECIFIED)
 - NEMA 4X MOTOR STARTER ENCLOSURE WITH SAFETY DISCONNECT AND H.O.A. SWITCH.
 - APPROXIMATE DRY WEIGHT: 904 lbs (427 kg).
 - INLET/OUTLET VALVE KIT RECOMMENDED: SEE FACTORY.
 - MINIMUM PIPE FROM TOWER BASIN TO TC SYSTEM IS 4" PIPE.
 - FLOODED SUCTION REQUIRED.

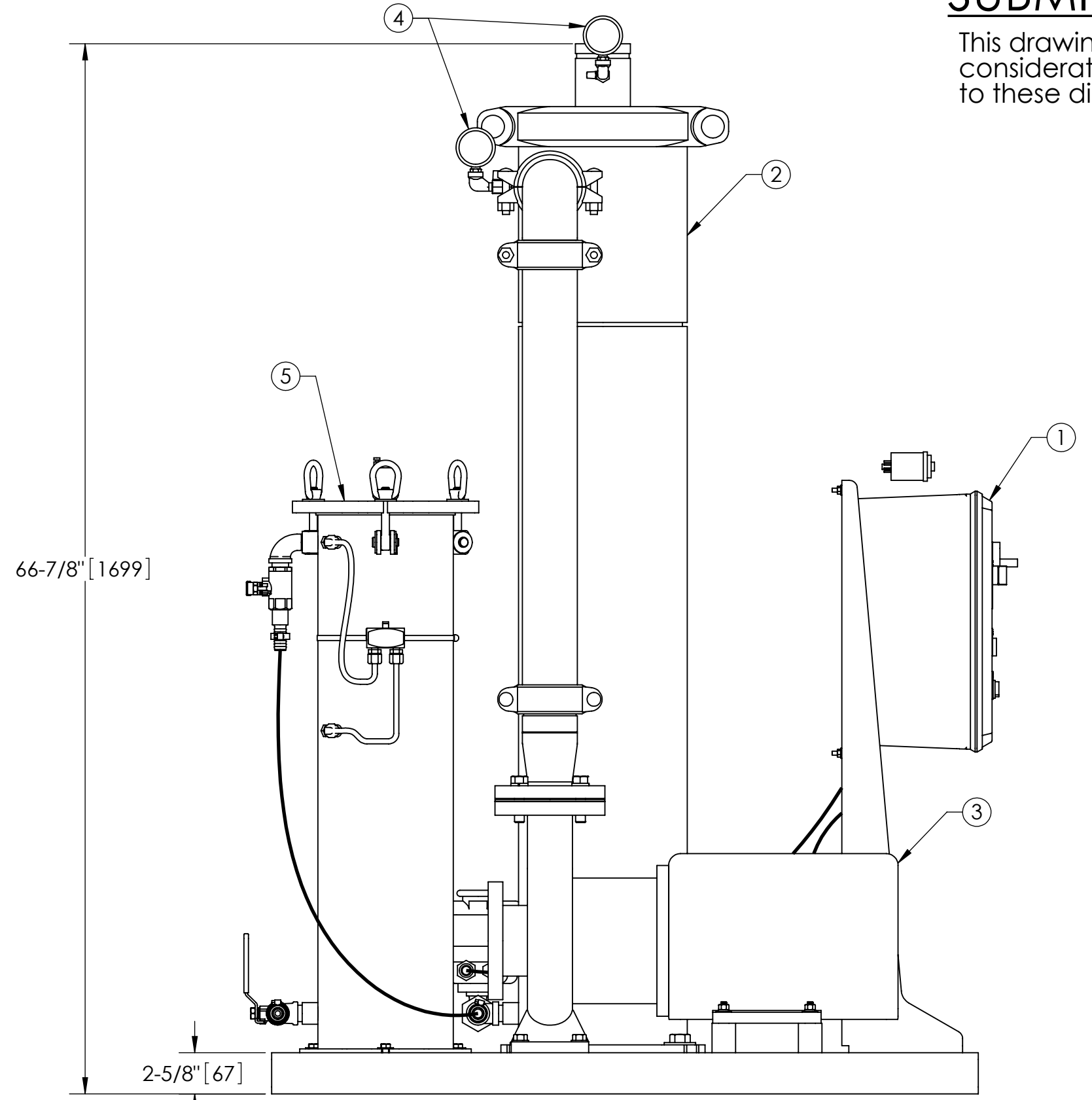
- COMPONENT LIST:**
- ELECTRICAL CONTROL BOX 208V/230V/460V, 60Hz W/120V TRANSFORMER.
 - SEPARATOR: eHTX-0090-V.
 - PUMP: 7.5 HP CENTRIFUGAL, 1750 rpm, 208V/230V/460V, 60Hz.
 - INLET/OUTLET PRESSURE GAUGES: 0-160 psi, GLYCERIN-FILLED.
 - PURGE EQUIPMENT: SRV-833/EFS-07-120.
 - STRAINER, SUCTION DIFFUSER.



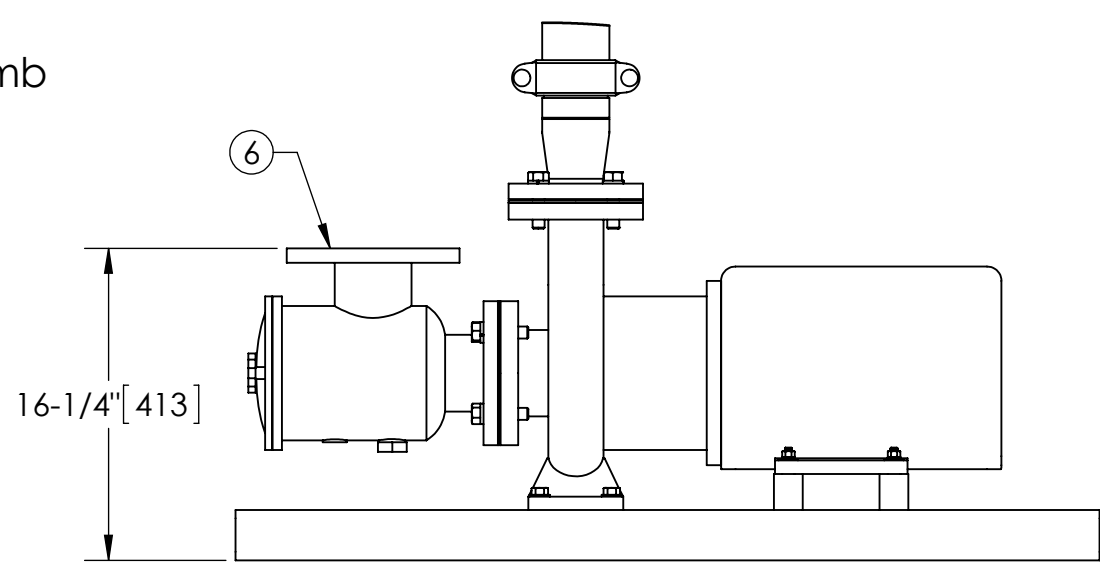
TOP VIEW

SUBMITTAL DRAWING

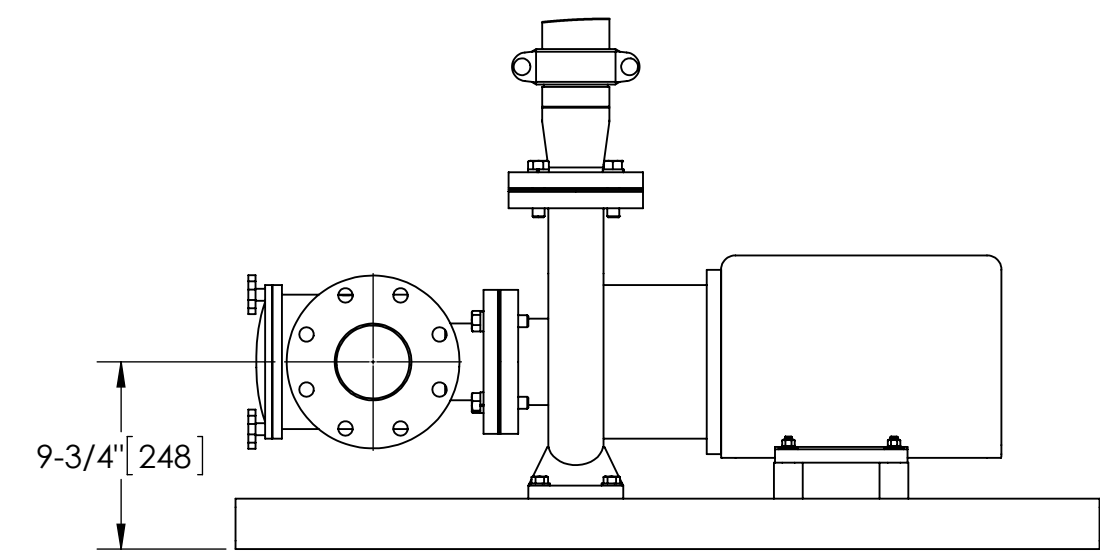
This drawing is submitted for spatial consideration only. Do not pre-plumb to these dimensions.



FRONT VIEW W/O STRAINER



FRONT VIEW PUMP & STRAINER



FRONT VIEW ROTATED STRAINER (OPTIONAL)

| | | | | | | | |
|---|----------------------|-----------|--|--|---------|-------|--------|
| UNLESS OTHERWISE SPECIFIED: DIMENSIONS ARE IN: INCHES (mm) TOLERANCES ARE: FRACTIONS DECIMALS ANGLES $\pm 1/2"$.XX $\pm .01$ $\pm 1/4^\circ$.XXX $\pm .005$.XXXX $\pm .0005$ | ENGINEERED FOR: | | LAKOS CLAUDE LAVAL CORP. FRESNO, CALIFORNIA 93727 WWW.LAKOS.COM | | | | |
| | STANDARD | | | | | | |
| | DO NOT SCALE DRAWING | APPROVALS | DATE | TITLE | | | |
| | MATERIAL | ENGR | | eTCX-0210-SRV/EFS, TC SYSTEM HI EFFICIENCY eHTX-0090, 3/60/208, 230, 460V | | | |
| FINISH | MFG | | SIZE | MODEL NO. | DWG NO. | REV. | |
| AS ASSEMBLED | WORK ORDER | | C | | 135319 | C | |
| | | SCALE | 1:8 | EST. WT. | 904 lb | SHEET | 1 OF 1 |

DWG NO. 135319
 SHEET C
 REV. C