

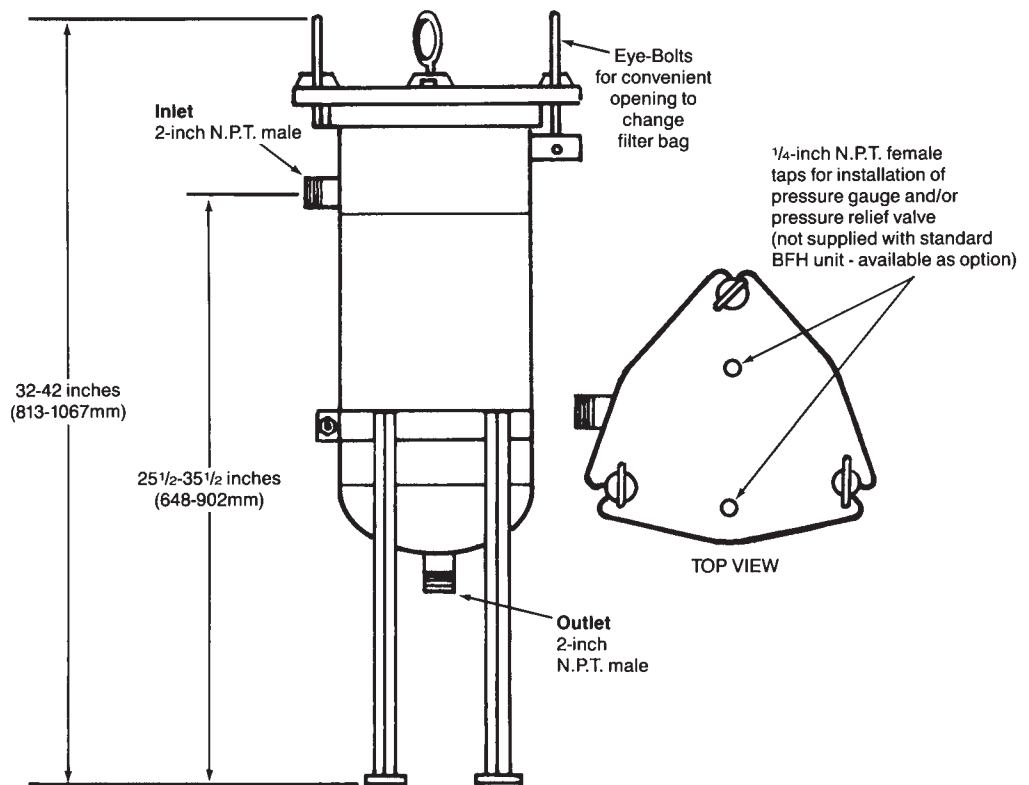
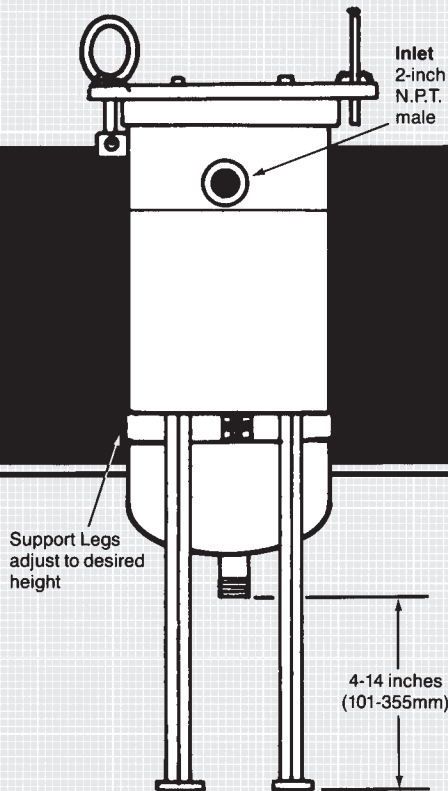
# BFH

## Lakos Bag Filter Housing



### BFH-0816-B

For flow rates up  
to 110 U.S. gpm (25 m<sup>3</sup>/hr.)



### CLAUDE LAVAL CORPORATION

1365 N. Clovis Avenue  
Fresno, CA 93727 USA

Telephone: (559) 255-1601  
Fax: (559) 255-8093

Toll-Free: (800) 344-7205  
(USA, Canada & Mexico)

www.lakos.com  
E-Mail: info@lakos.com

## General Specifications

**Inlet/Outlet Size:** 2-inch, male, N.P.T.

**Maximum Flow Rate:** 110 U.S. gpm (25 m<sup>3</sup>/hr.)

**Maximum Pressure Loss:** 2 psi (.137 bar) — Housing only, not including filter bag.

**Maximum Pressure Rating:** 150 psi (10.3 bar)

**Maximum Temperature Rating:** 200° F (93° C) **Note:** This temperature rating refers to the **housing only** and is subject to internal filter bag limitations.

**Material:** Standard BFH units are carbon steel. Options include stainless steel, epoxy coatings, etc. Internal basket is perforated stainless steel. ASME Code construction available upon request.

**Weight:** 70 lbs. (32 kg)

**Filter Bags:** This unit accepts one 7-inch (178 mm) diameter x 16-inch (406 mm) length filter bag.

# I. Operation

The LAKOS BFH-0816-B Bag Filter Housing features one side-entry inlet and one bottom-facing outlet (see illustrations on reverse for details). Incoming flow may be steady, variable or intermittent up to 110 U.S. gpm (25 m<sup>3</sup>/hr). Note the **General Specifications** on reverse for more complete operating details.

An internal stainless steel basket (with handle) is provided with each unit to accommodate your choice of filter bag (not supplied by LAKOS). The basket rests on a machined rim and heavy-duty O-ring inside the unit for a sure seal. A retaining ring is also provided to assure that the bag filter remains in position during operation.

# II. Installation Instructions

**1.** The inlet and outlet connections on this unit are 2-inch N.P.T. male pipe threads. Suitable thread sealant is recommended for a leak-free installation. Appropriate bypass piping and isolation valves are recommended in order to inspect, clean or replace the internal filter bag as necessary.

**2.** The support legs for this unit may be adjusted to accommodate limited space requirements and to match existing or desired installation piping. See illustrations on reverse for actual dimensions and options. To raise or lower the unit, simply loosen the leg support frame bolts and slide the filter housing body up or down as desired. Re-tighten bolts securely.

**3.** Be sure to insert your choice of filter bag (not supplied by LAKOS) into the stainless steel basket. Once in place, position the retaining ring over the filter bag to assure a good seal. Adjust the retaining ring's locking nut assembly so that the bag filter housing's lid helps keep the ring and basket in proper position.

**4.** Be sure to allow adequate clearance above this unit for servicing the internal basket. A minimum of 24 inches (610mm) is recommended.

**5.** Two 1/4-inch N.P.T. female taps are provided in the unit's lid for the installation of a pressure relief valve and a pressure gauge (not supplied by LAKOS). See illustration on reverse.

# III. Maintenance

The internal filter bag should be inspected, cleaned and/or replaced routinely. Frequency depends entirely upon the actual volume of solids present in the liquid to be filtered.

To service this unit, system flow must be bypassed or interrupted and internal pressure should be released (e.g. use a pressure relief valve — not supplied by LAKOS — mounted on the unit's lid).

To open the lid of the Bag Filter Housing, first loosen the two "swing-away" eye-bolts, then swing each to the unit's side. (The remaining eye-bolt is permanently attached to the lid and hinged to the housing body.) Next, lift the lid by the handgrip until it rests comfortably out of the way on its hinge to allow for full access to the internal bag.

Lift both the filter bag and stainless steel basket straight up and out of the housing, using the basket's convenient handle. Clean or replace the internal bag as necessary and re-insert a filter bag into the basket. NOTE: Do not operate this unit without the basket.

Before closing this unit, check the O-rings on the basket and lid. If damaged, replace them. Be sure to re-insert the retaining ring. Eye-bolts should be tightened evenly and securely.

Unit may now be returned to service. Be sure to allow trapped air to escape via the pressure relief valve (not supplied by LAKOS).

# IV. Parts List

Description	Part No.	Material
Filter Housing (only) . . . . .	BFH-0816-B . . . . .	Carbon Steel*
Leg Support Frame . . . . .	.81615 . . . . .	Carbon Steel*
Internal Basket O-Ring . . . . .	BFH-168-ORB . . . . .	BUNA-N
O-Ring on unit's lid . . . . .	BFH-168-ORL . . . . .	BUNA-N
Stainless Steel Basket . . . . .	BFH-116-SB . . . . .	Stainless Steel
Basket Retaining Ring . . . . .	.81613 . . . . .	Carbon Steel*

\* Also available in stainless steel. Consult factory for details.