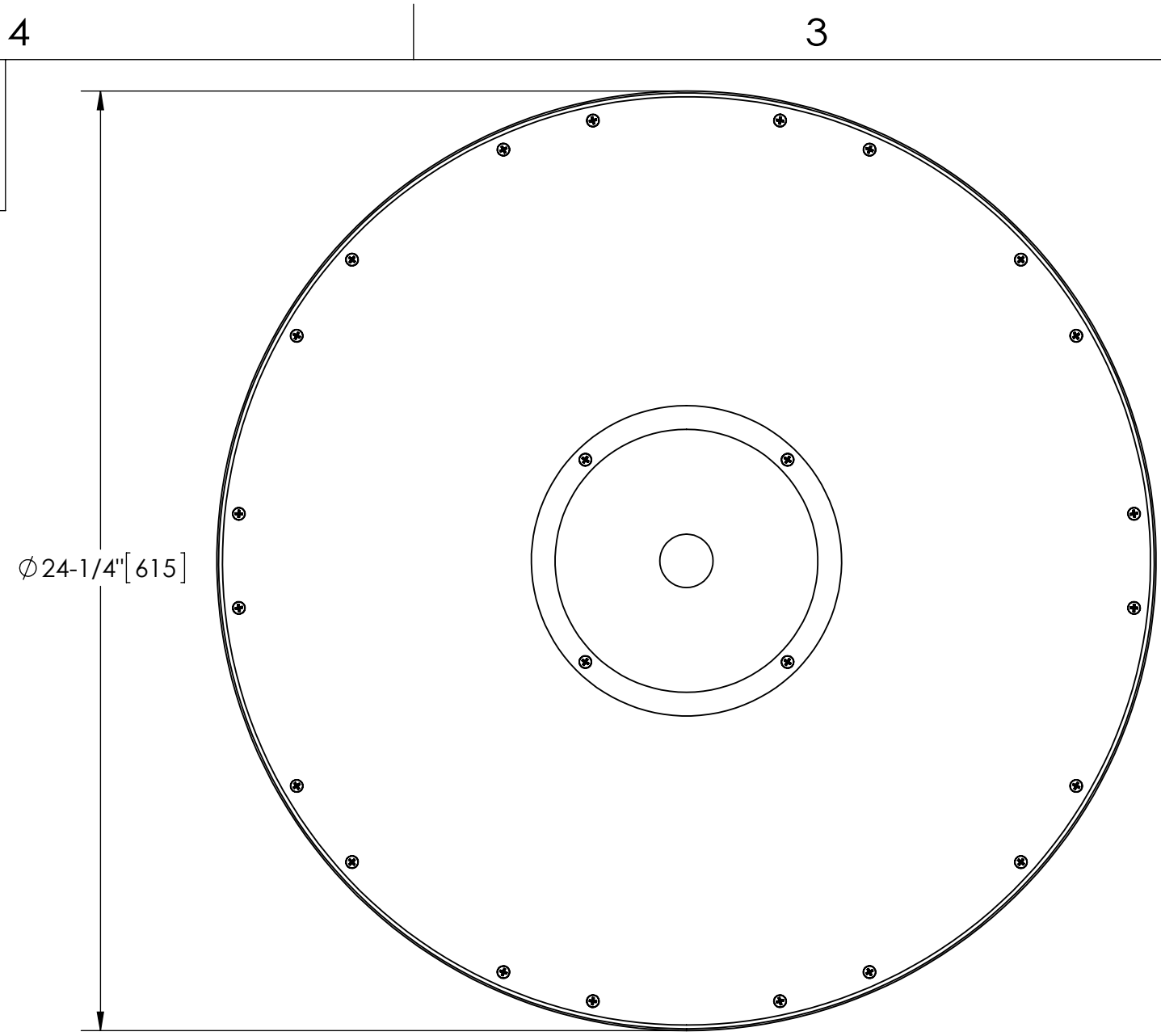


EXCEPT AS OTHERWISE PROVIDED BY CONTRACT, THIS DRAWING AND SPECIFICATIONS SHALL NOT BE REPRODUCED, COPIED OR USED AS THE BASIS FOR MANUFACTURE OR SALE OF MATTER DEPICTED HEREIN WITHOUT THE EXPRESSED WRITTEN PERMISSION OF THE CLAUDE LAVAL CORPORATION, OR ITS ASSIGNEES.

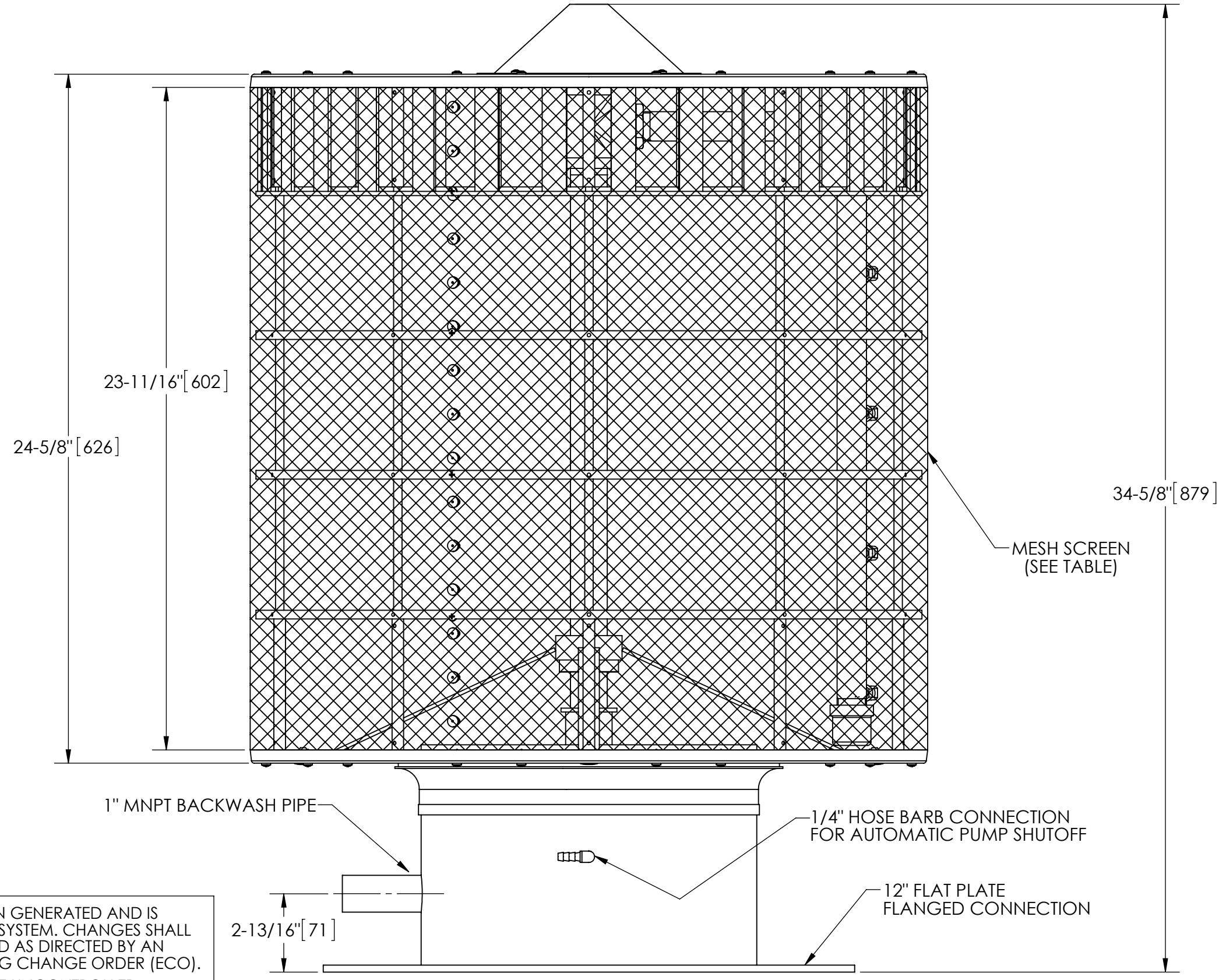
REVISIONS				
ZONE	REV.	DESCRIPTION	DATE	APPROVED



NOTES:

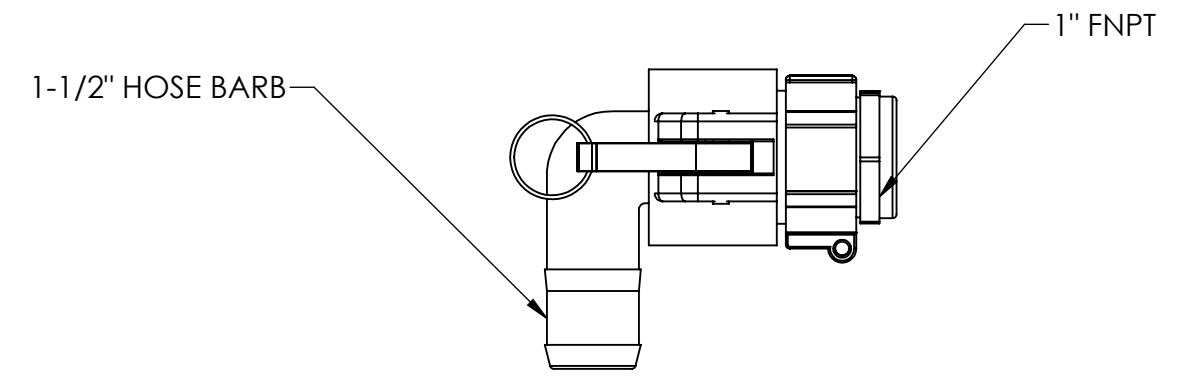
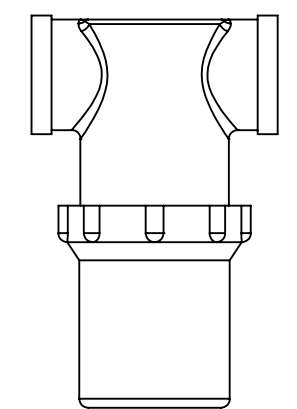
1. OUTLET FLANGE IS 12" FLAT PLATE B16.5 HOLE PATTERN REQUIRING 12X 7/8" BOLTS (BOLTS AND GASKETS NOT INCLUDED).
2. REQUIRED BACKWASH PRESSURE: 75-100 psi (5.1-6.9 Bar).
3. APPROXIMATE BACKWASH FLOW AT PROPER PRESSURE: 36 gpm. (8.0 m³/hr)
4. MAXIMUM FLOWRATE: SEE TABLE.
5. APPROXIMATE DRY WEIGHT: 68 lbs. (31 kg.)
6. FINISH: SEE TABLE

PART NO.	DESCRIPTION	SCREEN MESH	MAXIMUM FLOW RATE		SUCTION PIPE	
			GPM	M³/HR	MATERIAL	FINISH
106881	PC242410E	10	1700	385	CARBON STEEL	LAKOS GREEN
106884	PC242418E	18	1700	385	CARBON STEEL	LAKOS GREEN
106887	PC242430E	30	1200	275	CARBON STEEL	LAKOS GREEN
106883	PC242410S	10	1700	385	STAINLESS STEEL	GLASS BLAST
106886	PC242418S	18	1700	385	STAINLESS STEEL	GLASS BLAST
106889	PC242430S	30	1200	275	STAINLESS STEEL	GLASS BLAST



SUBMITTAL DRAWING

This drawing is submitted for spatial consideration only. Do not pre-plumb to these dimensions.



THIS DRAWING HAS BEEN GENERATED AND IS MAINTAINED BY A CAD SYSTEM. CHANGES SHALL ONLY BE INCORPORATED AS DIRECTED BY AN APPROVED ENGINEERING CHANGE ORDER (ECO). PAPER COPIES ARE UNCONTROLLED.

UNLESS OTHERWISE SPECIFIED: DIMENSIONS ARE IN: INCHES (mm) TOLERANCES ARE: FRACTIONS DECIMALS ANGLES $\pm 1/4\text{''}$.XX $\pm .01$ $\pm 1/4^\circ$ XXX $\pm .005$ XXXX $\pm .0005$		ENGINEERED FOR: STANDARD		LAKOS. CLAUDE LAVAL CORP. FRESNO, CALIFORNIA 93727 WWW.LAKOS.COM		LAVAL UNDERGROUND SURVEYS	
DO NOT SCALE DRAWING		APPROVALS	DATE	TITLE PC 2424 PC SCREEN 24" TALL x 24" DIAMETER			
MATERIAL	PER LAKOS SPECS	DRAWN	TAR	12/3/13	SIZE	MODEL NO.	DWG NO.
FINISH	SEE NOTES	ENGR	-	-	C	-	106881
		MFG	-	-	SCALE	1:5	EST. WT.
		WORK ORDER	-	-			68 lbs.
		QTY.	-	-			SHEET
							1 OF 1

DWG. NO. 106881
SHT 1
REV. A