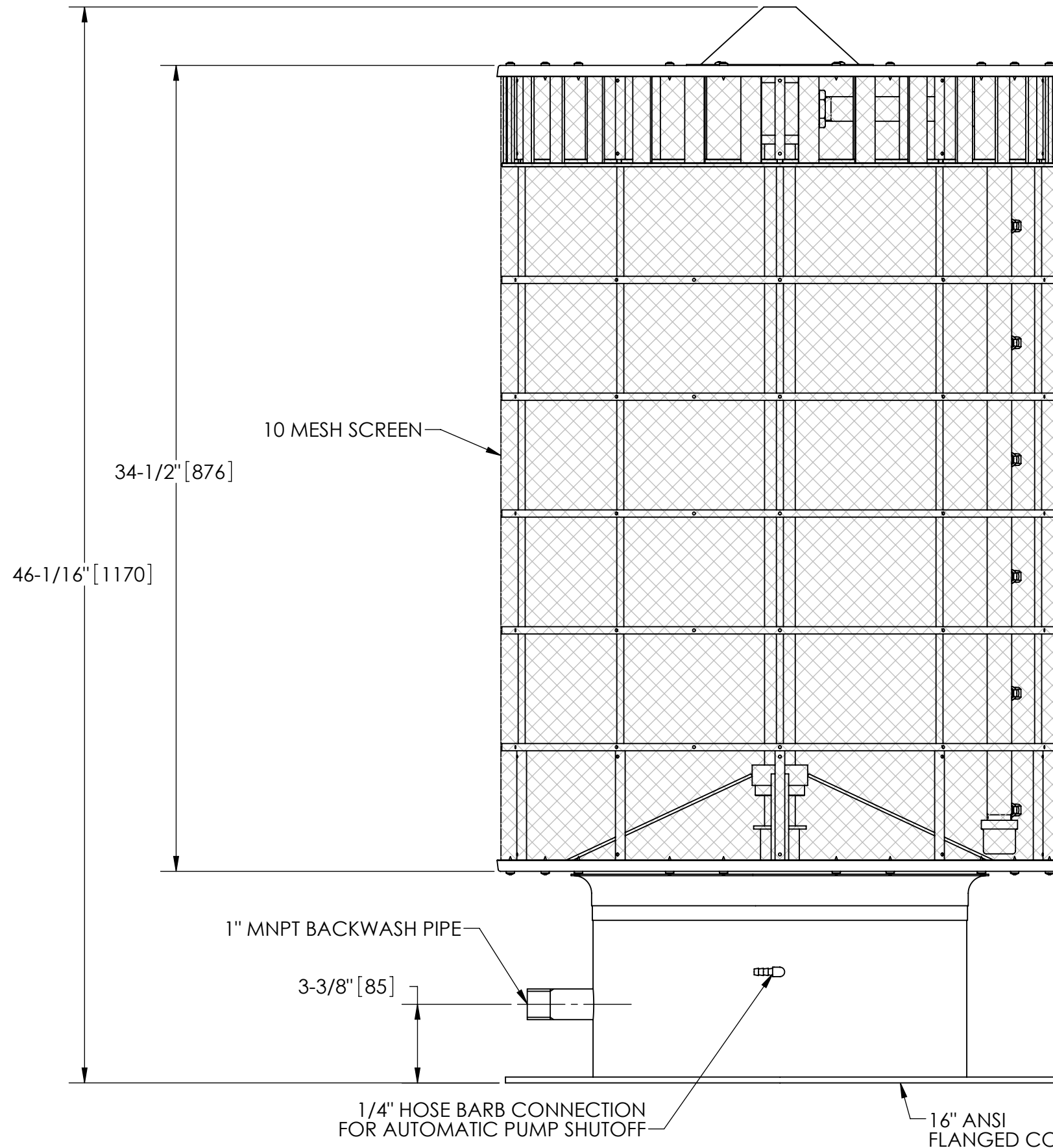
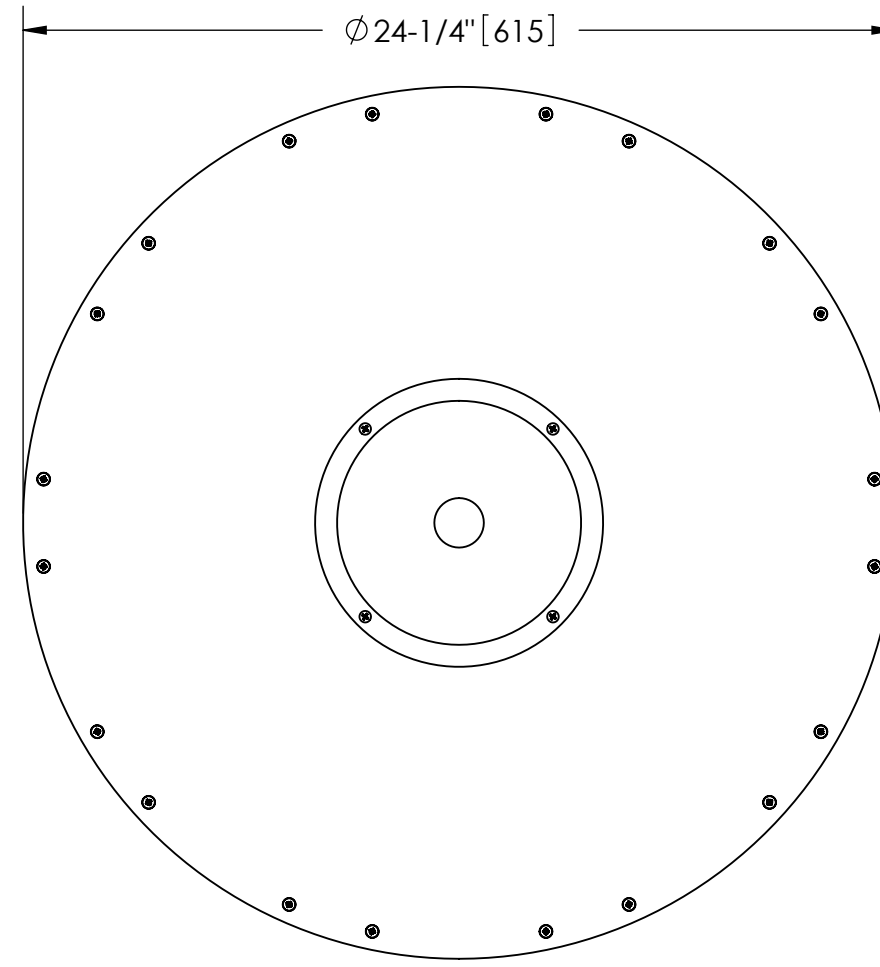


EXCEPT AS OTHERWISE PROVIDED BY CONTRACT, THIS DRAWING AND SPECIFICATIONS SHALL NOT BE REPRODUCED, COPIED OR USED AS THE BASIS FOR MANUFACTURE OR SALE OF MATTER DEPICTED HEREIN WITHOUT THE EXPRESSED WRITTEN PERMISSION OF THE CLAUDE LAVAL CORPORATION, OR ITS ASSIGNEES.

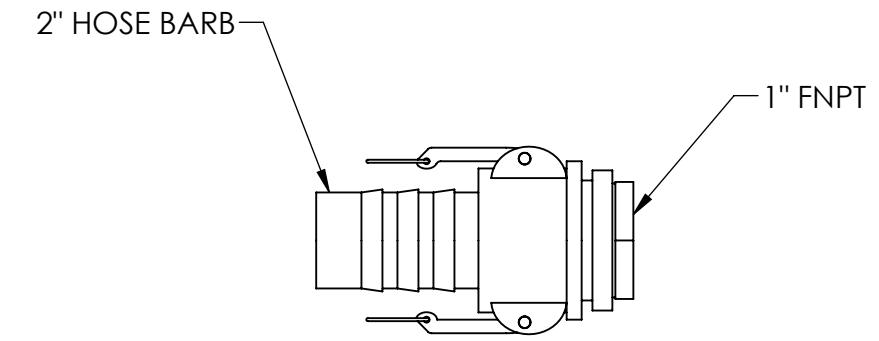
NOTES:

1. OUTLET FLANGE IS 16" ANSI B16.5 HOLE PATTERN REQUIRING 16X 1" BOLTS (BOLTS AND GASKETS NOT INCLUDED).
2. REQUIRED BACKWASH PRESSURE: 75-100 psi (5.1-6.9 bar).
3. APPROXIMATE BACKWASH FLOW AT PROPER PRESSURE: 50 gpm (11.5 m³/hr).
4. MAXIMUM FLOWRATE: 2700 gpm (613 m³/hr).
5. APPROXIMATE DRY WEIGHT: 95 lb (43 kg).
6. FINISH: GLASSBLAST

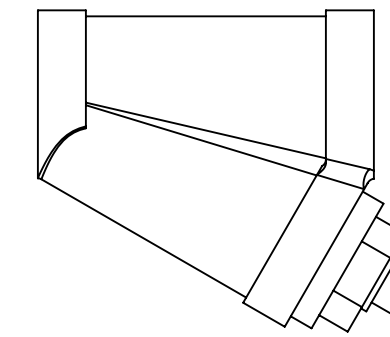


REVISIONS				
ZONE	REV.	DESCRIPTION	DATE	APPROVED

THIS DRAWING HAS BEEN GENERATED AND IS MAINTAINED BY A CAD SYSTEM. CHANGES SHALL ONLY BE INCORPORATED AS DIRECTED BY AN APPROVED ENGINEERING CHANGE ORDER (ECO). PAPER COPIES ARE UNCONTROLLED.



2" QUICK DISCONNECT ADAPTER (INCLUDED)
SCALE 1:4



2" INLINE STRAINER (INCLUDED)
SCALE 1:4

SUBMITTAL DRAWING

This drawing is submitted for spatial consideration only. Do not pre-plumb to these dimensions.

<small>UNLESS OTHERWISE SPECIFIED: DIMENSIONS ARE IN: INCHES (mm) TOLERANCES ARE: FRACTIONS DECIMALS ANGLES ± 1/4" .XX ± .01 ± 1/4° .XXX ± .005 .XXXX ± .0005</small>	ENGINEERED FOR: STANDARD		CLAUDE LAVAL CORP. FRESNO, CALIFORNIA 93727 WWW.LAKOS.COM		LAVAL UNDERGROUND SURVEYS	
	APPROVALS	DATE	TITLE			
	DO NOT SCALE DRAWING	DRAWN: JBI	6/11/07	ISF-3424-10, PC SCREEN		
	MATERIAL: PER LAKOS SPEC	ENGR: JBI	6/11/07	3424 10 MESH INDUSTRIAL, STAINLESS STEEL		
FINISH: SEE NOTES	MFG: -	-	SIZE: C	MODEL NO.	DWG NO. 103081	REV. 01
	WORK ORDER	QTY.	SCALE: 3:16	EST. WT. 95 lb	SHEET 1 OF 1	

DWG. NO. 103081 SHEET 1 REV. 01