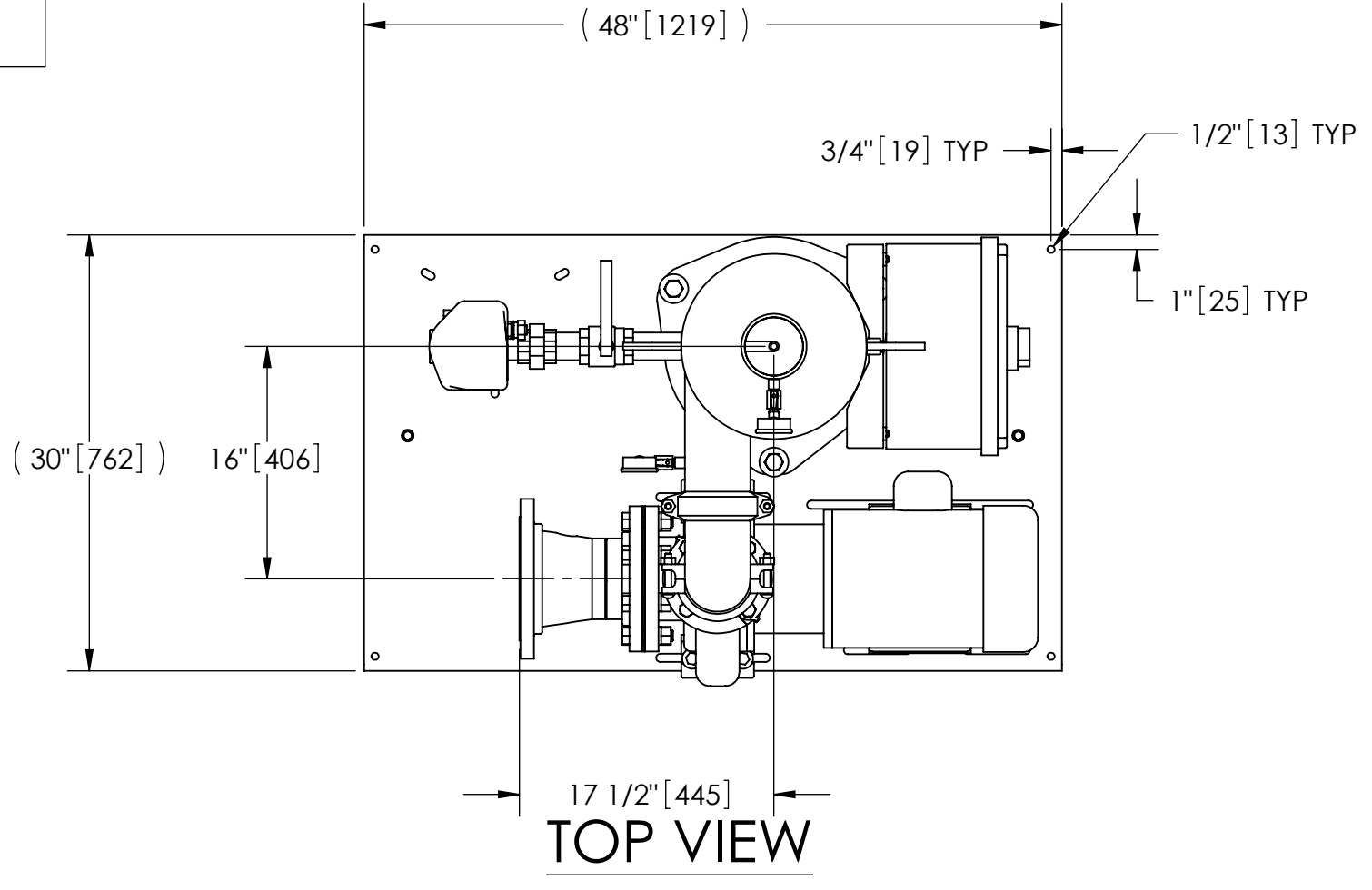


EXCEPT AS OTHERWISE PROVIDED BY CONTRACT, THIS DRAWING AND SPECIFICATIONS SHALL NOT BE REPRODUCED, COPIED OR USED AS THE BASIS FOR MANUFACTURE OR SALE OF MATTER DEPICTED HEREIN WITHOUT THE EXPRESSED WRITTEN PERMISSION OF THE CLAUDE LAVAL CORPORATION, OR ITS ASSIGNEES.

REVISION HISTORY				
ZONE	REV	DESCRIPTION	DATE	APPROVED

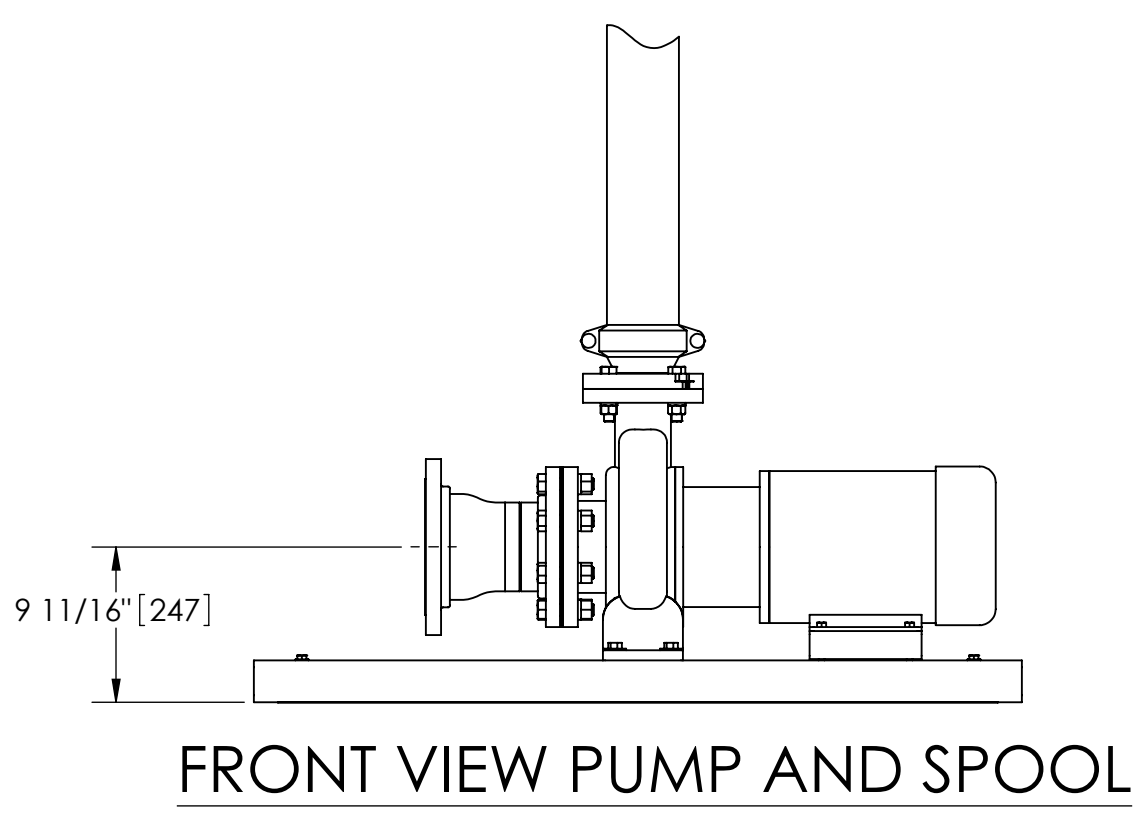
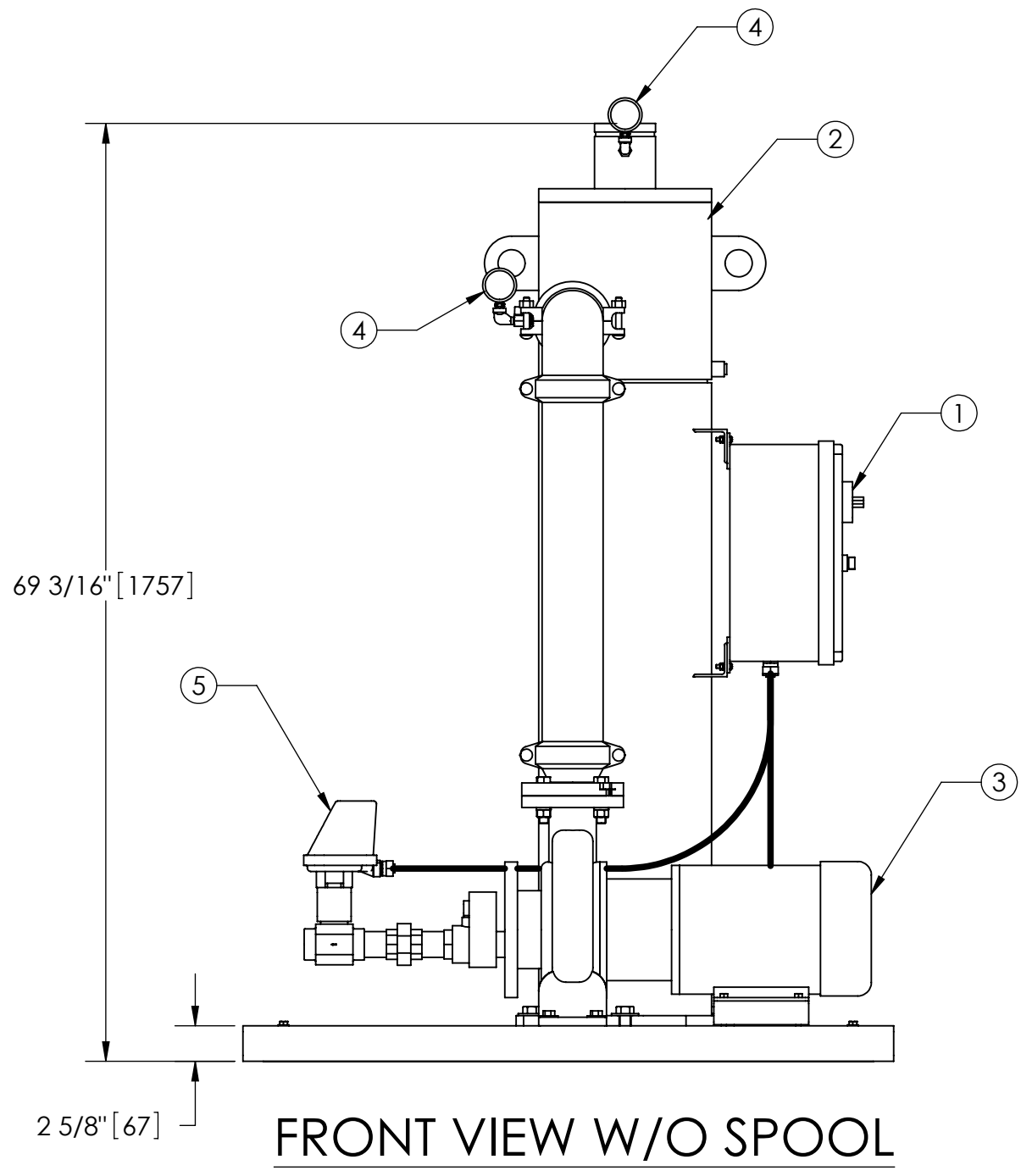
THIS DRAWING HAS BEEN GENERATED AND IS MAINTAINED BY A CAD SYSTEM. CHANGES SHALL ONLY BE INCORPORATED AS DIRECTED BY AN APPROVED ENGINEERING CHANGE ORDER (ECO). PAPER COPIES ARE UNCONTROLLED.



- NOTES:**
1. INLET IS 6" PIPE (150# ANSI FLANGED).
 2. OUTLET IS 4" PIPE (GROOVED).
 3. PURGE OUTLET IS 1-1/2" PIPE.
 4. MAXIMUM PRESSURE: 150 psi (10.3 bar).
 5. MAXIMUM TEMPERATURE: 100°F (37.8°C).
 6. SPECIFIED FLOWRATE OF 400 gpm (91 m³/hr).
 7. FINISH: AS ASSEMBLED.
 8. POWER REQUIREMENT: 460V, 3PH, 60Hz.
 9. NEMA 4X MOTOR STARTER ENCLOSURE WITH SAFETY DISCONNECT AND H.O.A. SWITCH.
 10. APPROXIMATE DRY WEIGHT: 926 lbs (420 kg).
 11. INLET/OUTLET VALVE KIT, MODEL TCV-0400 RECOMMENDED.
 12. MINIMUM PIPE TO TB SYSTEM IS 6" PIPE.
 13. FLOODED SUCTION REQUIRED.

- COMPONENT LIST:**
- ① ELECTRICAL CONTROL BOX 460V 60Hz W/120V TRANSFORMER.
 - ② SEPARATOR: HTH-0285-TC.
 - ③ PUMP: 7.5 HP CENTRIFUGAL, 1750 rpm, 460V, 60Hz.
 - ④ INLET/OUTLET PRESSURE GAUGES: 0-100 psi, GLYCERIN-FILLED.
 - ⑤ PURGE EQUIPMENT: CMBV-15-120V.

SUBMITTAL DRAWING
 This drawing is submitted for spatial consideration only. Do not pre-plumb to these dimensions.



UNLESS OTHERWISE SPECIFIED: DIMENSIONS ARE IN: INCHES (mm) TOLERANCES ARE: FRACTIONS DECIMALS ANGLES ± 1/2" .XX ± .01 ± 1/4° .XXX ± .005 .XXXX ± .0005	ENGINEERED FOR: STANDARD		CLAUDE LAVAL CORP. FRESNO, CALIFORNIA 93727 WWW.LAKOS.COM		LAVAL UNDERGROUND SURVEYS
	APPROVALS	DATE	TITLE		
DO NOT SCALE DRAWING	DRAWN ADJ/HSK	5/19/05	TBI-0400-CMBV, TC SYSTEM, SIDESTREAM HTH-0285, 460V 60HZ STD		
MATERIAL PER LAKOS SPEC	ENGR HSK	9/12/05	SIZE C	MODEL NO.	REV. A
FINISH AS ASSEMBLED	MFG -	-	DWG NO. 115476	EST. WT. 926 lb	SHEET 1 OF 1
	WORK ORDER	QTY.	SCALE 1:12		

DWG. NO. 115476 SHEET REV. A