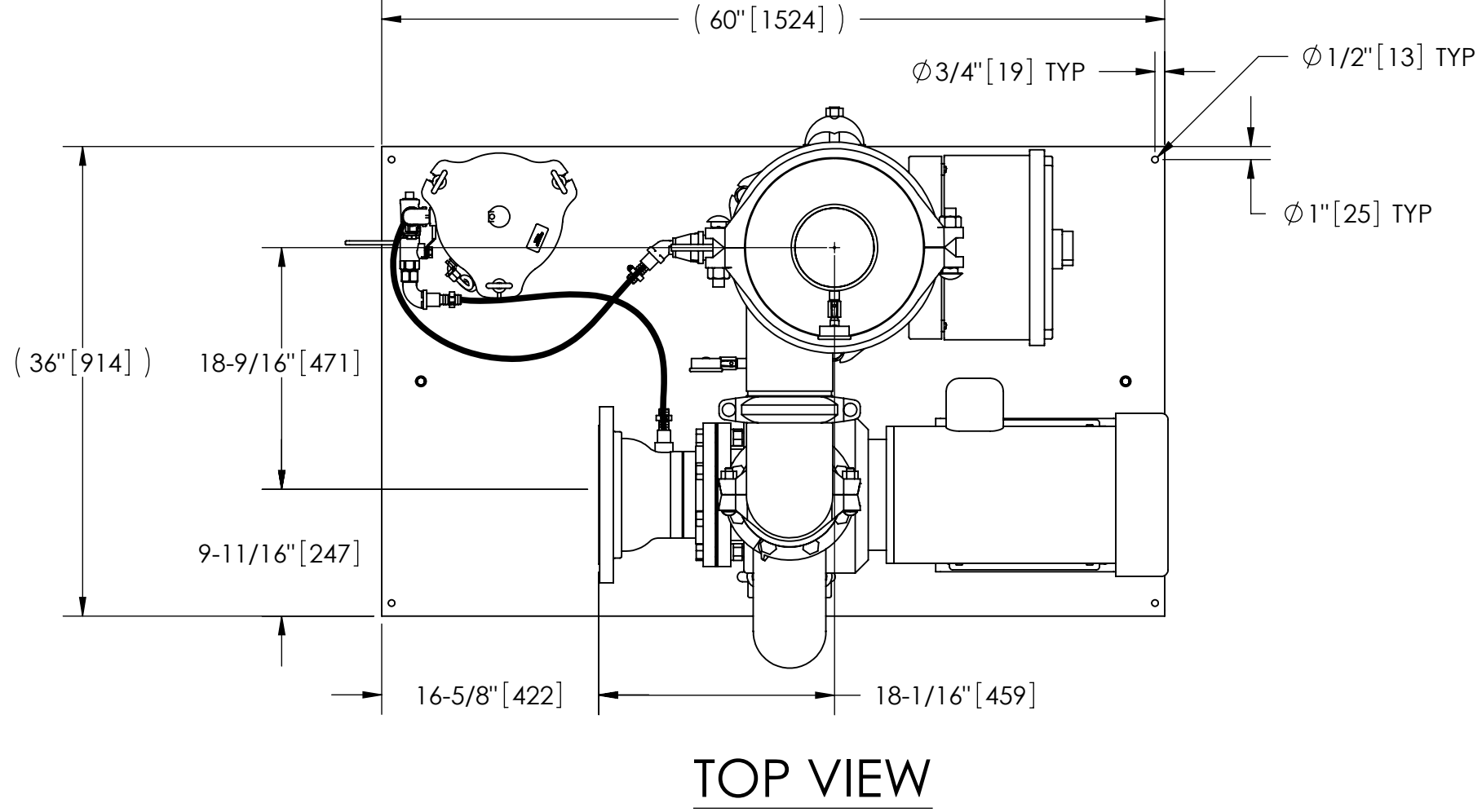


EXCEPT AS OTHERWISE PROVIDED BY CONTRACT, THIS DRAWING AND SPECIFICATIONS SHALL NOT BE REPRODUCED, COPIED OR USED AS THE BASIS FOR MANUFACTURE OR SALE OF MATTER DEPICTED HEREIN WITHOUT THE EXPRESSED WRITTEN PERMISSION OF THE CLAUDE LAVAL CORPORATION, OR ITS ASSIGNEES.

THIS DRAWING HAS BEEN GENERATED AND IS MAINTAINED BY A CAD SYSTEM. CHANGES SHALL ONLY BE INCORPORATED AS DIRECTED BY AN APPROVED ENGINEERING CHANGE ORDER (ECO). PAPER COPIES ARE UNCONTROLLED.

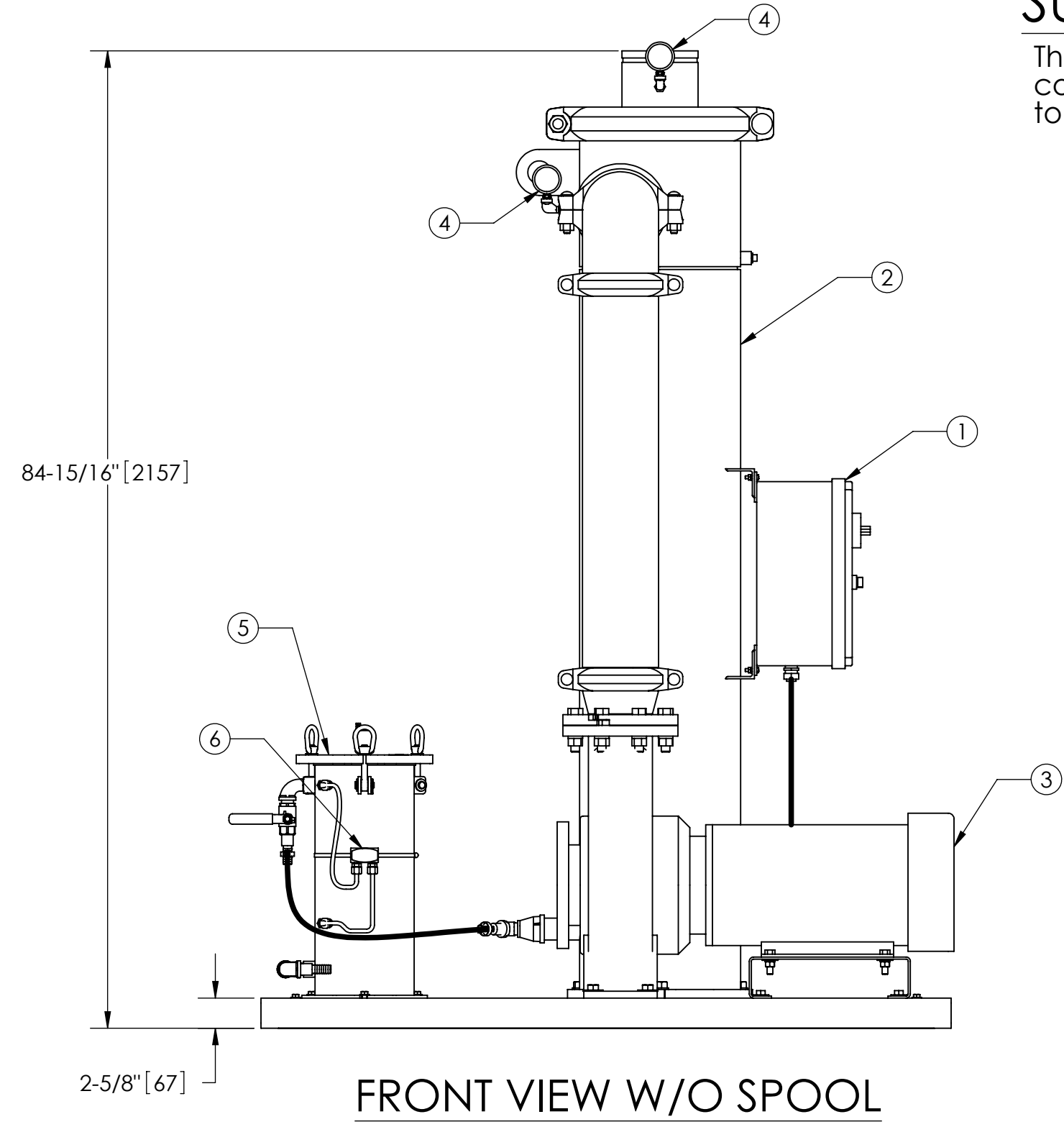
REVISION HISTORY				
ZONE	REV	DESCRIPTION	DATE	APPROVED



- NOTES:**
- INLET IS 8" PIPE (150# ANSI FLANGED).
 - OUTLET IS 6" PIPE (GROOVED).
 - PURGE OUTLET IS 1-1/2" PIPE.
 - MAXIMUM PRESSURE: 150 psi (10.3 bar).
 - MAXIMUM TEMPERATURE: 100°F (37.8°C).
 - SPECIFIED FLOWRATE OF 1100 gpm (250 m³/hr).
 - FINISH: AS ASSEMBLED.
 - POWER REQUIREMENT: 460V, 3PH, 60Hz.
 - NEMA 4X MOTOR STARTER ENCLOSURE WITH SAFETY DISCONNECT AND H.O.A. SWITCH.
 - APPROXIMATE DRY WEIGHT: 2038 lbs (924 kg).
 - INLET/OUTLET VALVE KIT, MODEL TCV-1100 RECOMMENDED.
 - MINIMUM PIPE TO TB SYSTEM IS 10" PIPE.
 - FLOODED SUCTION REQUIRED.

- COMPONENT LIST:**
- ELECTRICAL CONTROL BOX 460V 60Hz W/120V TRANSFORMER.
 - SEPARATOR: HTX-0500-TC.
 - PUMP: 20 HP CENTRIFUGAL, 1750 rpm, 460V, 60Hz.
 - INLET/OUTLET PRESSURE GAUGES: 0-100 psi, GLYCERIN-FILLED.
 - PURGE EQUIPMENT: SRV-816.
 - DIFFERENTIAL PRESSURE INDICATOR: (AVAILABLE WITH DRY DRY CONTACT-MODEL DHE-15-S. ORDER SEPARATELY).

SUBMITTAL DRAWING
 This drawing is submitted for spatial consideration only. Do not pre-plumb to these dimensions.



UNLESS OTHERWISE SPECIFIED: DIMENSIONS ARE IN: INCHES (mm) TOLERANCES ARE: FRACTIONS DECIMALS ANGLES ± 1/2" .XX ± .01 ± 1/4° .XXX ± .005 .XXXX ± .0005	ENGINEERED FOR: STANDARD		LAKOS CLAUDE LAVAL CORP. FRESNO, CALIFORNIA 93727 WWW.LAKOS.COM		LAKOS SURVEYS
	APPROVALS	DATE	TITLE TBX-1100-SRV, TC SYSTEM, SIDESTREAM HTX-0500, 460V 60HZ DELUXE		
DO NOT SCALE DRAWING	DRAWN SGF/DLW	11/17/04	SIZE C		REV. E
MATERIAL PER LAKOS SPEC	ENGR DLW	8/29/07	MODEL NO.	DWG NO. 115470	
FINISH AS ASSEMBLED	MFG -	-	SCALE 1:12	EST. WT. 2038 lb	SHEET 1 OF 1
	WORK ORDER	QTY.			

DWG NO. 115470
 SHEET REV. E