

EXCEPT AS OTHERWISE PROVIDED BY CONTRACT, THIS DRAWING AND SPECIFICATIONS SHALL NOT BE REPRODUCED, COPIED OR USED AS THE BASIS FOR MANUFACTURE OR SALE OF MATTER DEPICTED HEREIN WITHOUT THE EXPRESSED WRITTEN PERMISSION OF THE CLAUDE LAVAL CORPORATION, OR ITS ASSIGNEES.

THIS DRAWING HAS BEEN GENERATED AND IS MAINTAINED BY A CAD SYSTEM. CHANGES SHALL ONLY BE INCORPORATED AS DIRECTED BY AN APPROVED ENGINEERING CHANGE ORDER (ECO). PAPER COPIES ARE UNCONTROLLED.

| REVISION HISTORY | | | | |
|------------------|-----|-------------|------|----------|
| ZONE | REV | DESCRIPTION | DATE | APPROVED |
| | | | | |

SUBMITTAL DRAWING

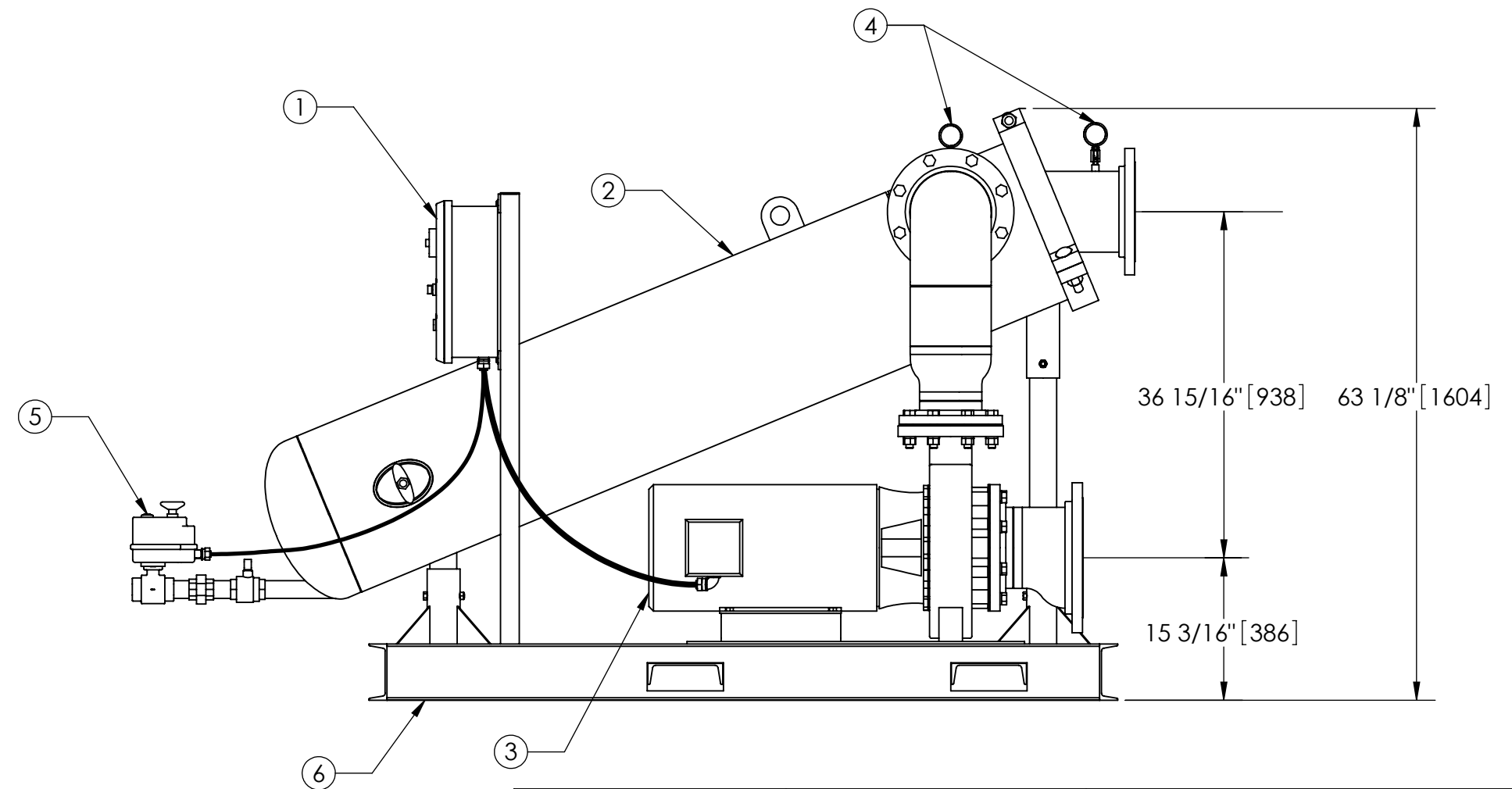
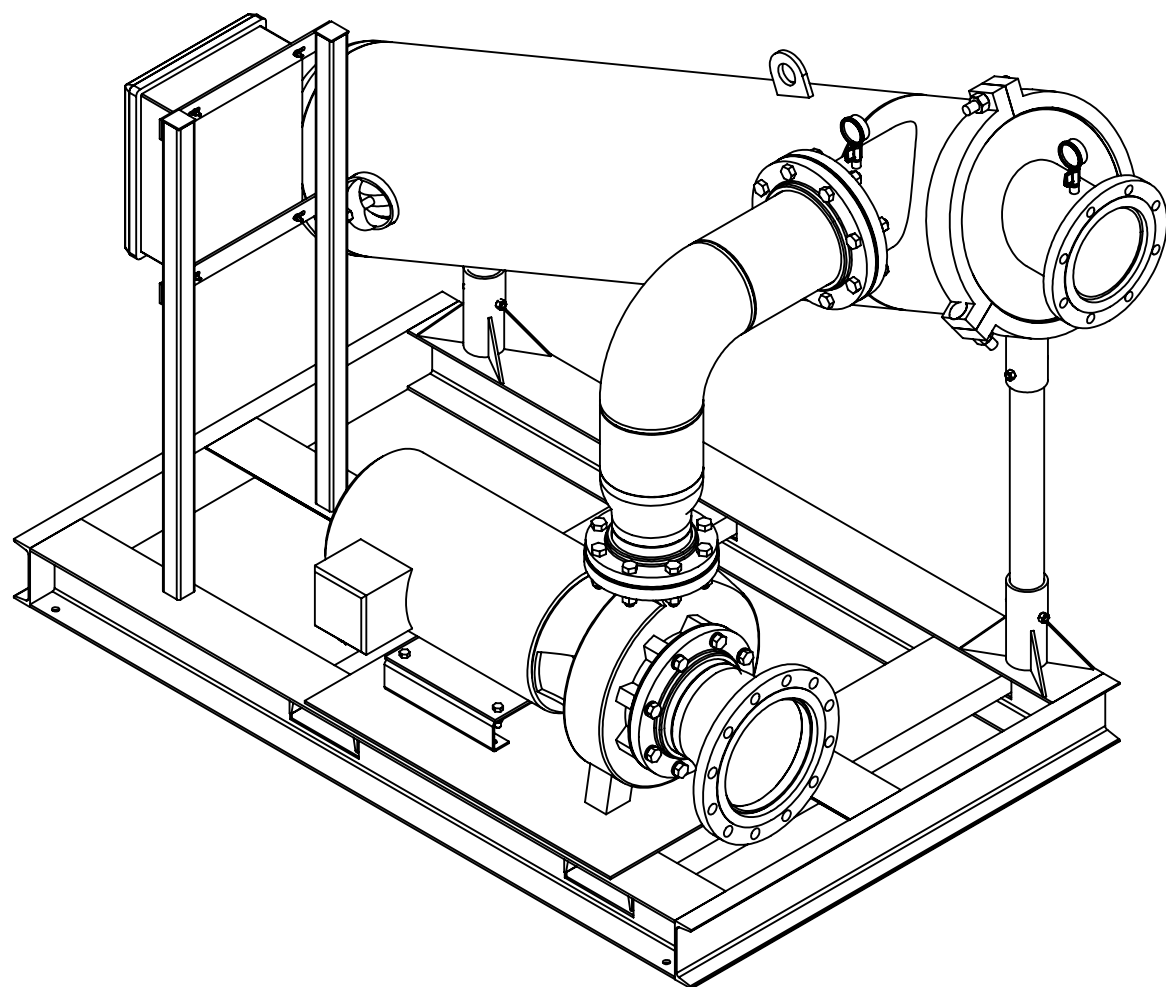
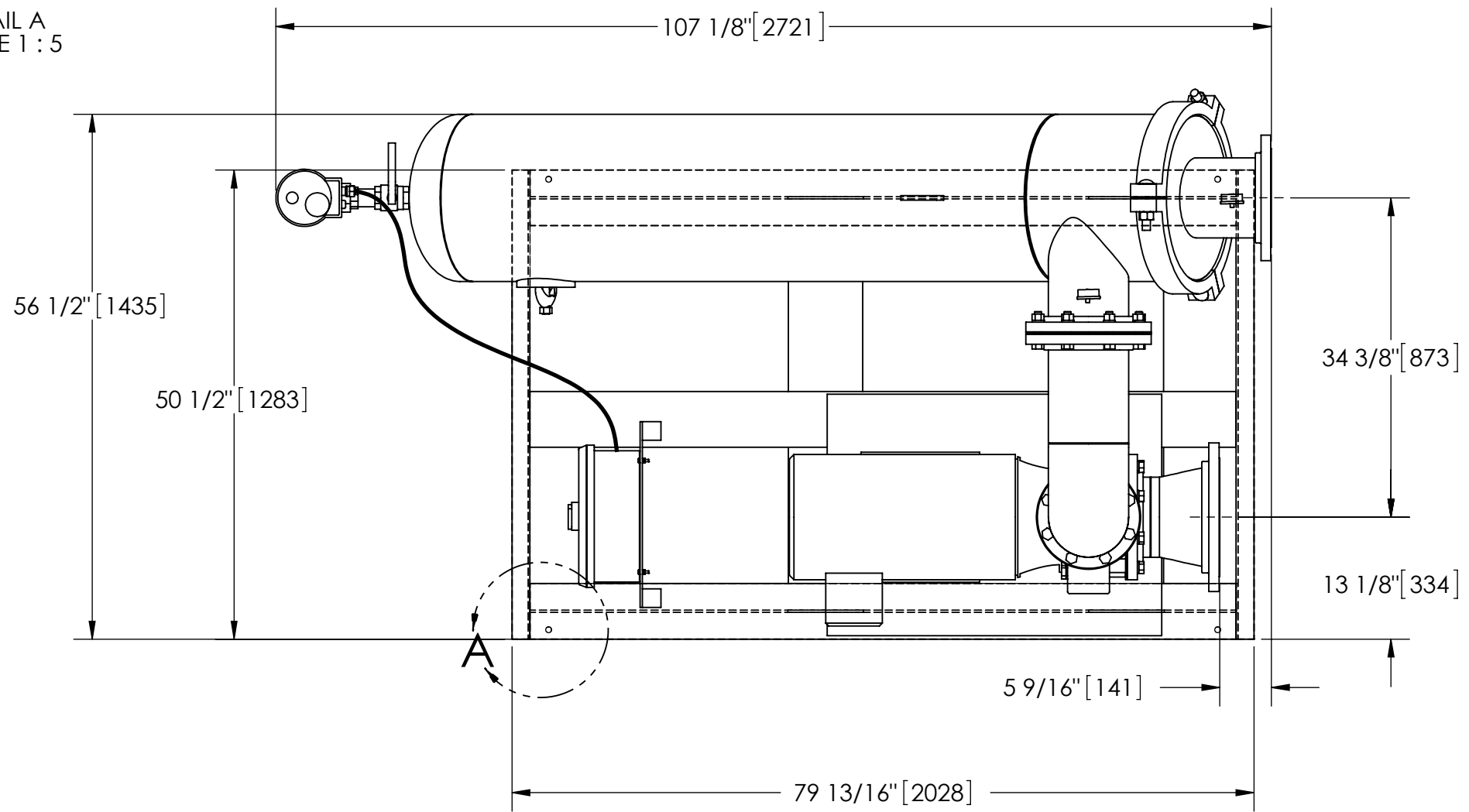
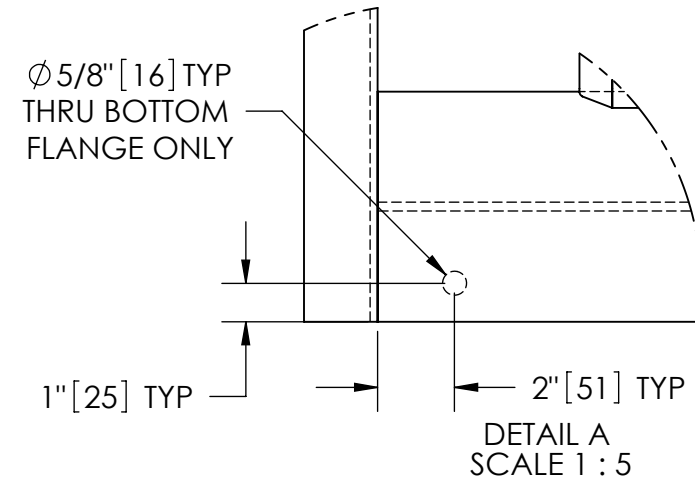
This drawing is submitted for spatial consideration only. Do not pre-plumb to these dimensions.

NOTES:

1. INLET IS 10" PIPE (150# ANSI FLANGED).
2. OUTLET IS 8" PIPE (150# ANSI FLANGED).
3. PURGE OUTLET IS 1-1/2" PIPE.
4. MAXIMUM PRESSURE: 150 psi (10.3 bar).
5. MAXIMUM TEMPERATURE: 100°F (37.8°C).
6. SPECIFIED FLOWRATE OF 1670 gpm (380 m³/hr).
7. FINISH: AS ASSEMBLED.
8. POWER REQUIREMENT: 460V, 3PH, 60Hz.
9. APPROXIMATE DRY WEIGHT: 2488 lbs (1129 kg).
10. MINIMUM PIPE FROM TOWER BASIN TO TC SYSTEM IS 10" PIPE.
11. FLOODED SUCTION REQUIRED.

COMPONENT LIST:

- 1 ELECTRICAL CONTROL BOX 460V 60HZ W/115V TRANSFORMER.
- 2 SEPARATOR: HTX-0810-L/FLG.
- 3 PUMP: 30HP END SUCTION CENTRIFUGAL, 1750RPM 460V, 60Hz, 3PH.
- 4 INLET/OUTLET PRESSURE GAUGES: 0-100 psi, GLYCERIN-FILLED.
- 5 PURGE EQUIPMENT: ABV-15-120.
- 6 SKID: CARBON STEEL, EPOXY COATED.



| | | | | | | | |
|--|--|------------------------------------|------------|--|----------------------------------|---------------------------|----------------|
| UNLESS OTHERWISE SPECIFIED: DIMENSIONS ARE IN: INCHES (mm) TOLERANCES ARE: | | ENGINEERED FOR: STANDARD | | LAKOS CLAUDE LAVAL CORP. FRESNO, CALIFORNIA 93727 WWW.LAKOS.COM | | LAVAL UNDERGROUND SURVEYS | |
| FRACTIONS ± 1" | DECIMALS .XX ± .01 .XXX ± .005 .XXXX ± .0005 | ANGLES ± 1/4° | APPROVALS | DATE | TITLE | | |
| DO NOT SCALE DRAWING | | | DRAWN ADJ | 8/13/07 | TBX-1670-ABV/L, TC SYSTEM | | |
| MATERIAL PER LAKOS SPEC | | | ENGR ADJ | 8/14/07 | SIDESTREAM HTX-0810-L, 3/60/460V | | |
| FINISH AS ASSEMBLED | | | MFG - | - | SIZE C | MODEL NO. | DWG NO. 128233 |
| | | | WORK ORDER | QTY. | SCALE 1:16 | EST. WT. 2488 lb | REV. 01 |
| | | | | | SHEET 1 OF 1 | | |

DWG. NO. 128233 SHEET REV. 01