

EXCEPT AS OTHERWISE PROVIDED BY CONTRACT, THIS DRAWING AND SPECIFICATIONS SHALL NOT BE REPRODUCED, COPIED OR USED AS THE BASIS FOR MANUFACTURE OR SALE OF MATTER DEPICTED HEREIN WITHOUT THE EXPRESSED WRITTEN PERMISSION OF THE CLAUDE LAVAL CORPORATION, OR ITS ASSIGNEES.

TOP VIEW

ELECTRICAL GROUP NOT SHOWN FOR CLARITY

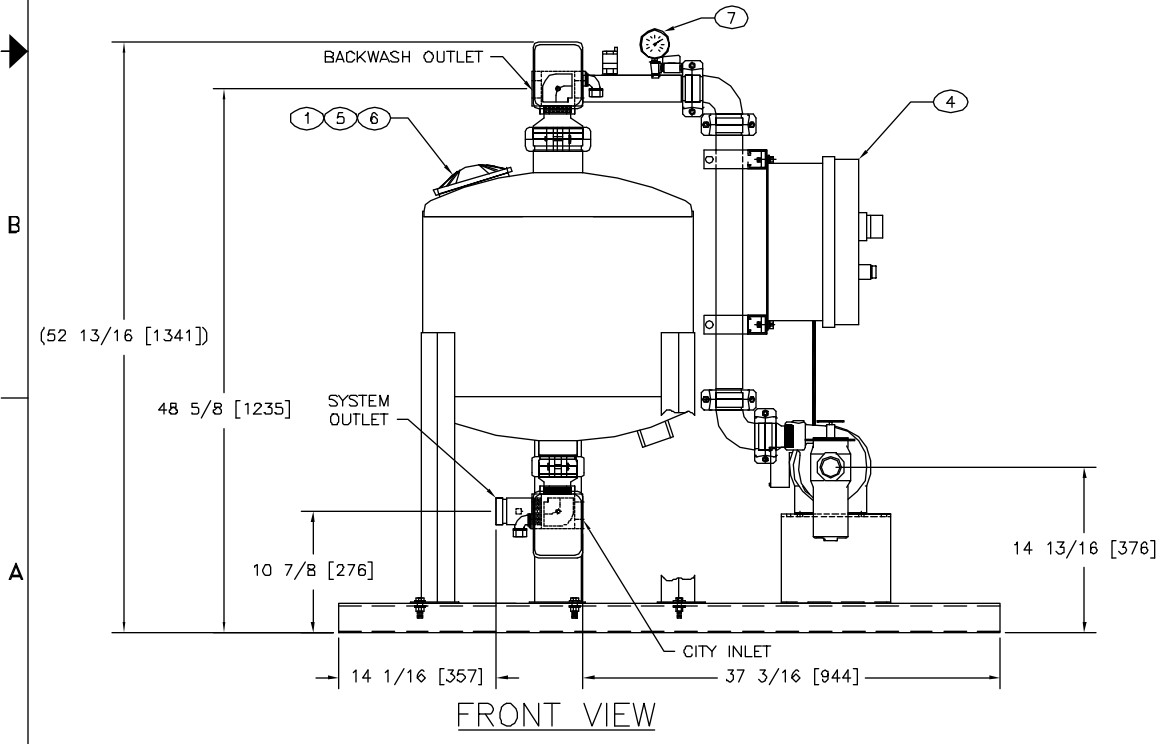
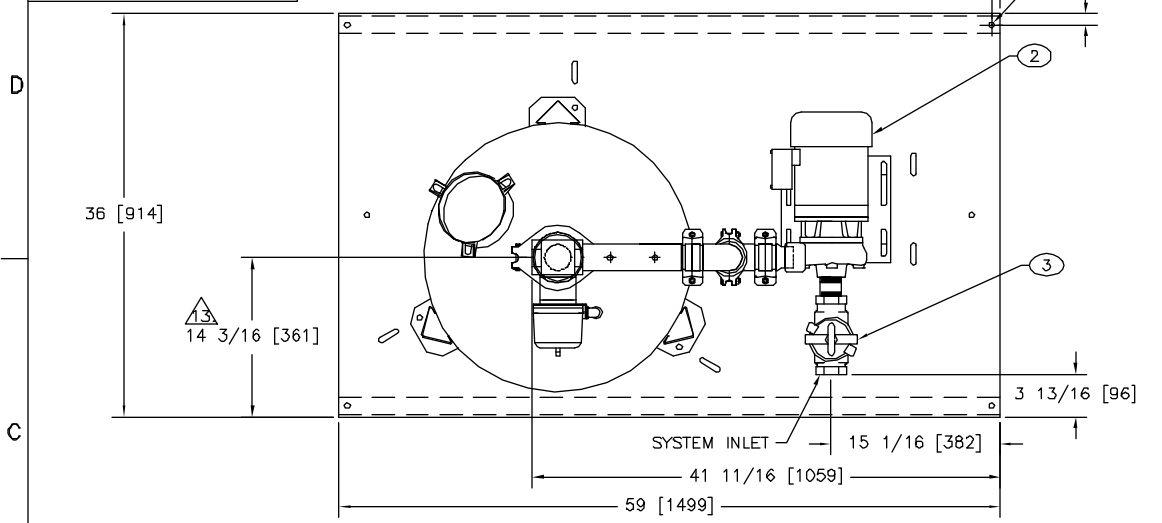
REVISIONS				
ZONE	REV	DESCRIPTION	DATE	APPROVED
-	A	UPDATED FLOW RATES	7/2/03	NAC
-	B	NEW VALVES AND LAYOUT	11/7/03	NAC

THIS DRAWING HAS BEEN GENERATED AND IS MAINTAINED BY A CAD SYSTEM. CHANGES SHALL ONLY BE INCORPORATED AS DIRECTED BY AN APPROVED ENGINEERING CHANGE ORDER (ECO). PAPER COPIES ARE UNCONTROLLED.

NOTES:

1. INLET IS 2" (FNPT).
2. OUTLET IS 2" (GROOVED).
3. BACKWASH IS 2" PIPE (FNPT).
4. MAXIMUM PRESSURE: 100 psi (6.9 bar).
5. MAXIMUM TEMPERATURE: 100°F (37.8°C).
6. SPECIFIED MAXIMUM FLOWRATE OF 75 gpm (17 m³/hr).
7. SPECIFIED MINIMUM BACKWASH FLOWRATE OF 47 gpm (11 m³/hr).
8. POWER REQUIREMENT: 460V, 60HZ
9. NEMA 4X MOTOR STARTER ENCLOSURE WITH SAFETY DISCONNECT, H.O.A. SWITCH, 24 HR BACKWASH TIMER AND BACKWASH CYCLE TIMER.
10. APPROXIMATE DRY WEIGHT: 810lbs (367 kg).
11. MINIMUM RECOMMENDED PIPE SIZE TO STS SYSTEM INLET IS 2-1/2".
12. FLOODED SUCTION REQUIRED.
13. DIMENSION APPLICABLE TO BOTH OUTLET & BACKWASH DRAIN.
14. FINISH: AS ASSEMBLED

- 1 MEDIA TANK: 24" DIAMETER STAINLESS STEEL FILTER.
- 2 PUMP: 1-1/2 HP CENTRIFUGAL, CAST IRON, TEFC, 3500 rpm.
- 3 STRAINER: CAST IRON BASKET STRAINER.
- 4 ELECTRICAL CONTROL BOX: 460V 60HZ W/115V TRANSFORMER.
- 5 MEDIA: 10 MICRON AT 95% EFFICIENCY - STANDARD.
5 MICRON AT 90% EFFICIENCY - OPTIONAL.
- 6 UNDERDRAIN: S/40 PVC HEADER, PVC INTERNALLY SLOTTED WELL SCREEN.
- 7 INLET/OUTLET PRESSURE GAUGES: 0-100 PSI, GLYCERIN-FILLED.



SUBMITTAL DRAWING

This drawing is submitted for spatial consideration only. Do not pre-plumb to these dimensions.

UNLESS OTHERWISE SPECIFIED: DIMENSIONS ARE IN INCHES (mm) TOLERANCES ARE: FRACTIONS DECIMALS ANGLES ±1/2" ±.005 ±.01 ±1/4" DO NOT SCALE DRAWING		ENGINEERED FOR: STANDARD		LAKOS CLAUDE LAVAL CORP. 1365 N. CLOVIS AVE. FRESNO, CALIFORNIA 93727		LAKOS UNDERGROUND SERVICES	
MATERIAL PER LAKOS SPEC		APPROVALS	DATE	TITLE		REV	
FINISH: AS ASSEMBLED		DRAWN PMT	4/11/01	STS-24-075-A-C, SS MEDIA SYSTEM CITY BW, AUTO, 460V 60HZ		C	
WORK ORDER		REVIEWED [Signature]	12/8/03	SIZE	MODEL NO.	DWG NO.	117944
CITY INLET		QTY.		SCALE	1/8"	SHEET	1 OF 1

DWG. NO. 117944

A