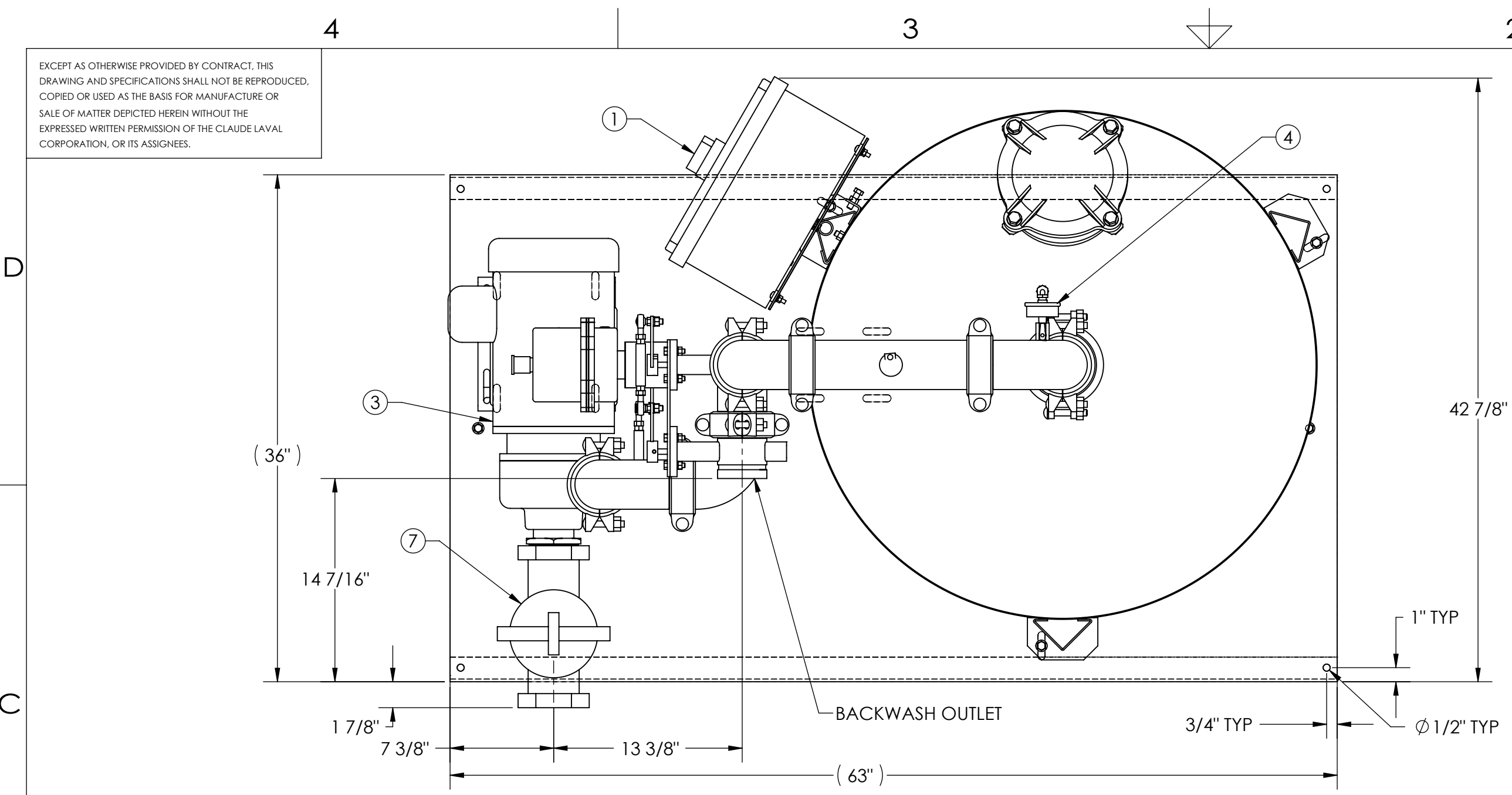


EXCEPT AS OTHERWISE PROVIDED BY CONTRACT, THIS DRAWING AND SPECIFICATIONS SHALL NOT BE REPRODUCED, COPIED OR USED AS THE BASIS FOR MANUFACTURE OR SALE OF MATTER DEPICTED HEREIN WITHOUT THE EXPRESSED WRITTEN PERMISSION OF THE CLAUDE LAVAL CORPORATION, OR ITS ASSIGNEES.

REVISION HISTORY				
ZONE	REV	DESCRIPTION	DATE	APPROVED

THIS DRAWING HAS BEEN GENERATED AND IS MAINTAINED BY A CAD SYSTEM. CHANGES SHALL ONLY BE INCORPORATED AS DIRECTED BY AN APPROVED ENGINEERING CHANGE ORDER (ECO). PAPER COPIES ARE UNCONTROLLED.

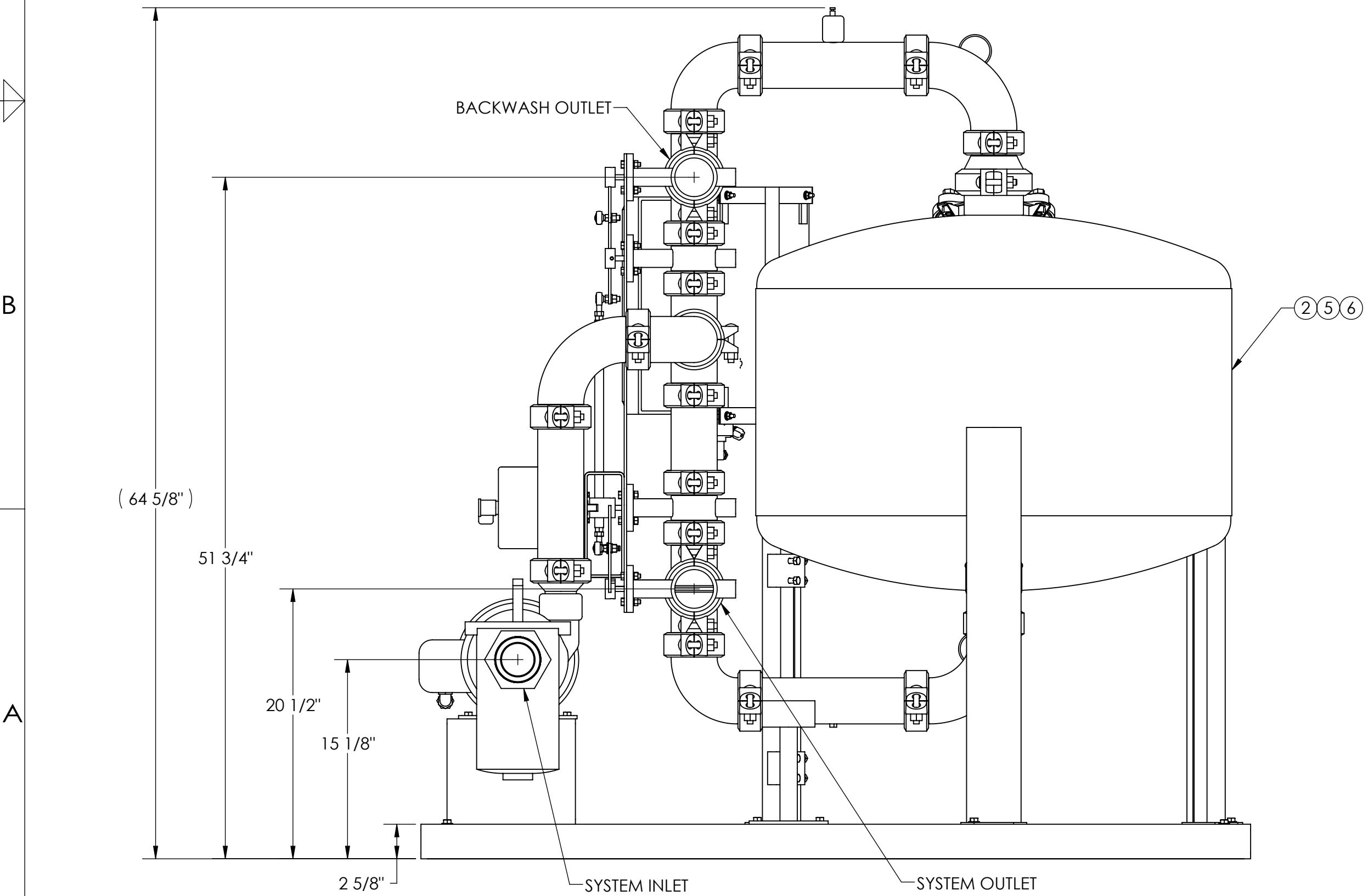


NOTES:

1. INLET IS 3" PIPE (NPT).
2. OUTLET IS 3" PIPE (GROOVED).
3. BACKWASH IS 3" PIPE (GROOVED).
4. MAXIMUM PRESSURE: 100 psi (6.9 bar).
5. MAXIMUM TEMPERATURE: 100°F (37.8°C).
6. SPECIFIED MAXIMUM FLOWRATE OF 165 gpm (38 m³/hr).
7. SPECIFIED MINIMUM BACKWASH FLOWRATE OF 106 gpm (24 m³/hr).
8. FINISH: AS ASSEMBLED.
9. POWER REQUIREMENT: 460V, 3PH, 60Hz.
10. NEMA 4X MOTOR STARTER ENCLOSURE WITH SAFETY DISCONNECT, H.O.A. SWITCH, 24 HR BACKWASH TIMER, AND BACKWASH CYCLE TIMER.
11. APPROXIMATE DRY WEIGHT (INCLUDING 900 lbs SAND): 1685 lbs (766 kg).
12. MINIMUM PIPE SIZE TO STS SYSTEM IS 4" PIPE.
13. FLOODED SUCTION REQUIRED.

COMPONENT LIST:

- ① ELECTRICAL CONTROL BOX 460V 60Hz W/120V TRANSFORMER.
- ② MEDIA TANK: 36" DIAMETER STAINLESS STEEL FILTER.
- ③ PUMP: 3 HP CENTRIFUGAL, 3500 rpm, TEFC, 460V, 60Hz, CAST IRON.
- ④ INLET/OUTLET PRESSURE GAUGES: 0-100 psi, GLYCERIN-FILLED.
- ⑤ MEDIA: 10 MICRON AT 95% EFFICIENCY - STANDARD
5 MICRON AT 90% EFFICIENCY - OPTIONAL
- ⑥ UNDERDRAIN: S/40 PVC HEADER, PVC INTERNALLY SLOTTED WELL SCREEN.
- ⑦ BASKET STRAINER, CAST IRON.



SUBMITTAL DRAWING

This drawing is submitted for spatial consideration only. Do not pre-plumb to these dimensions.

UNLESS OTHERWISE SPECIFIED: DIMENSIONS ARE IN: INCHES (mm) TOLERANCES ARE: FRACTIONS DECIMALS ANGLES ± 1/2" .XX ± .01 ± 1/4° .XXX ± .005 .XXXX ± .0005	ENGINEERED FOR: STANDARD		CLAUDE LAVAL CORP. FRESNO, CALIFORNIA 93727 WWW.LAKOS.COM		LAVAL UNDERGROUND SURVEYS
	DO NOT SCALE DRAWING	APPROVALS	DATE	TITLE	
MATERIAL PER LAKOS SPEC	DRAWN DLW	ENGR DLW	DATE 2/3/06 4/5/07	STS-36-165-A-S, SS MEDIA SYSTEM, SYSTEM BW, AUTO, 460V 60HZ	
FINISH AS ASSEMBLED	MFG -	WORK ORDER	QTY. -	SIZE C	REV. H
SCALE 1:8			EST. WT. 785 lb	DWG NO. 117465	SHEET 1 OF 1

DWG. NO. 117465 SHEET 1 REV. H