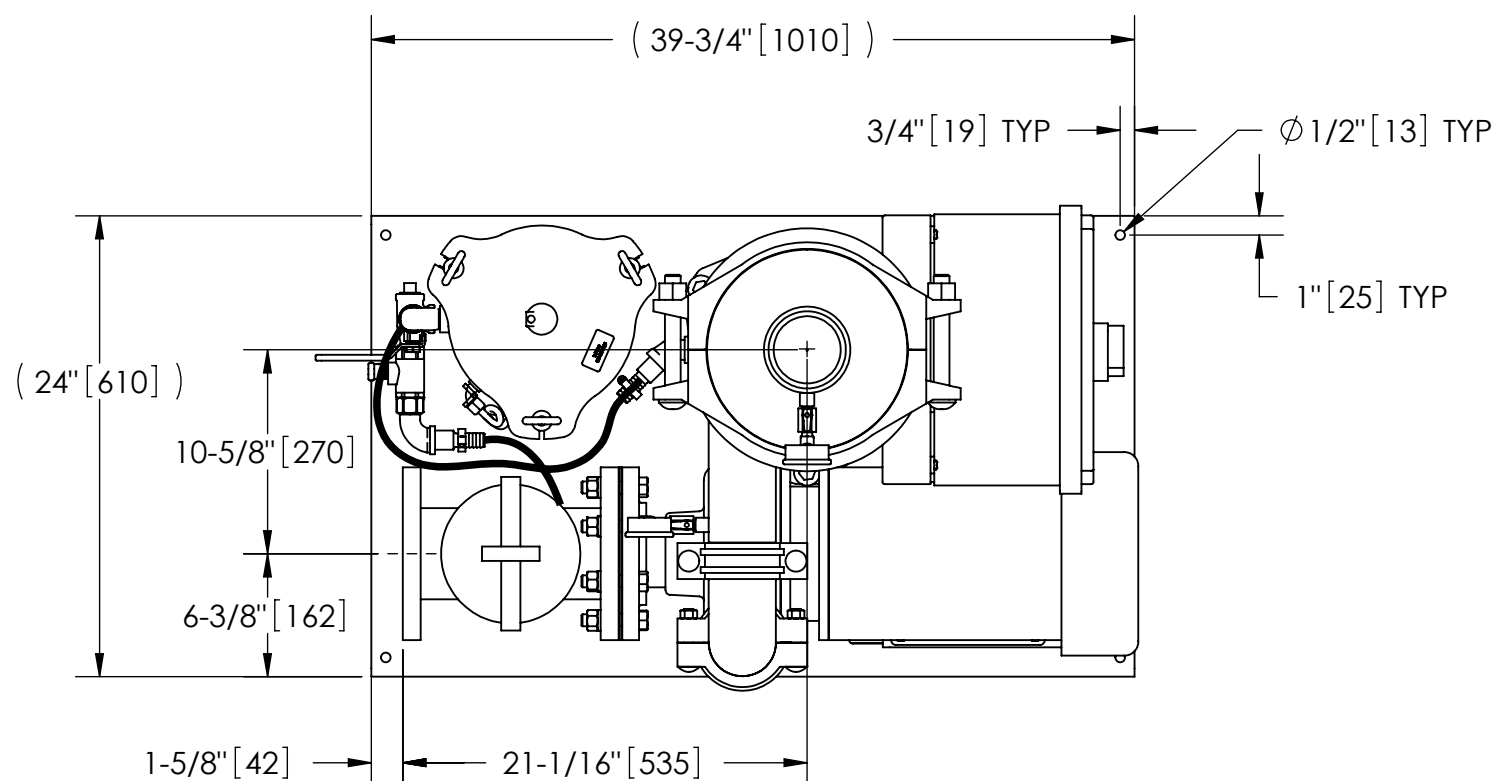


EXCEPT AS OTHERWISE PROVIDED BY CONTRACT, THIS DRAWING AND SPECIFICATIONS SHALL NOT BE REPRODUCED, COPIED OR USED AS THE BASIS FOR MANUFACTURE OR SALE OF MATTER DEPICTED HEREIN WITHOUT THE EXPRESSED WRITTEN PERMISSION OF THE CLAUDE LAVAL CORPORATION, OR ITS ASSIGNEES.

THIS DRAWING HAS BEEN GENERATED AND IS MAINTAINED BY A CAD SYSTEM. CHANGES SHALL ONLY BE INCORPORATED AS DIRECTED BY AN APPROVED ENGINEERING CHANGE ORDER (ECO). PAPER COPIES ARE UNCONTROLLED.

| REVISION HISTORY | | | | |
|------------------|-----|-------------|------|----------|
| ZONE | REV | DESCRIPTION | DATE | APPROVED |
| | | | | |



TOP VIEW

SUBMITTAL DRAWING

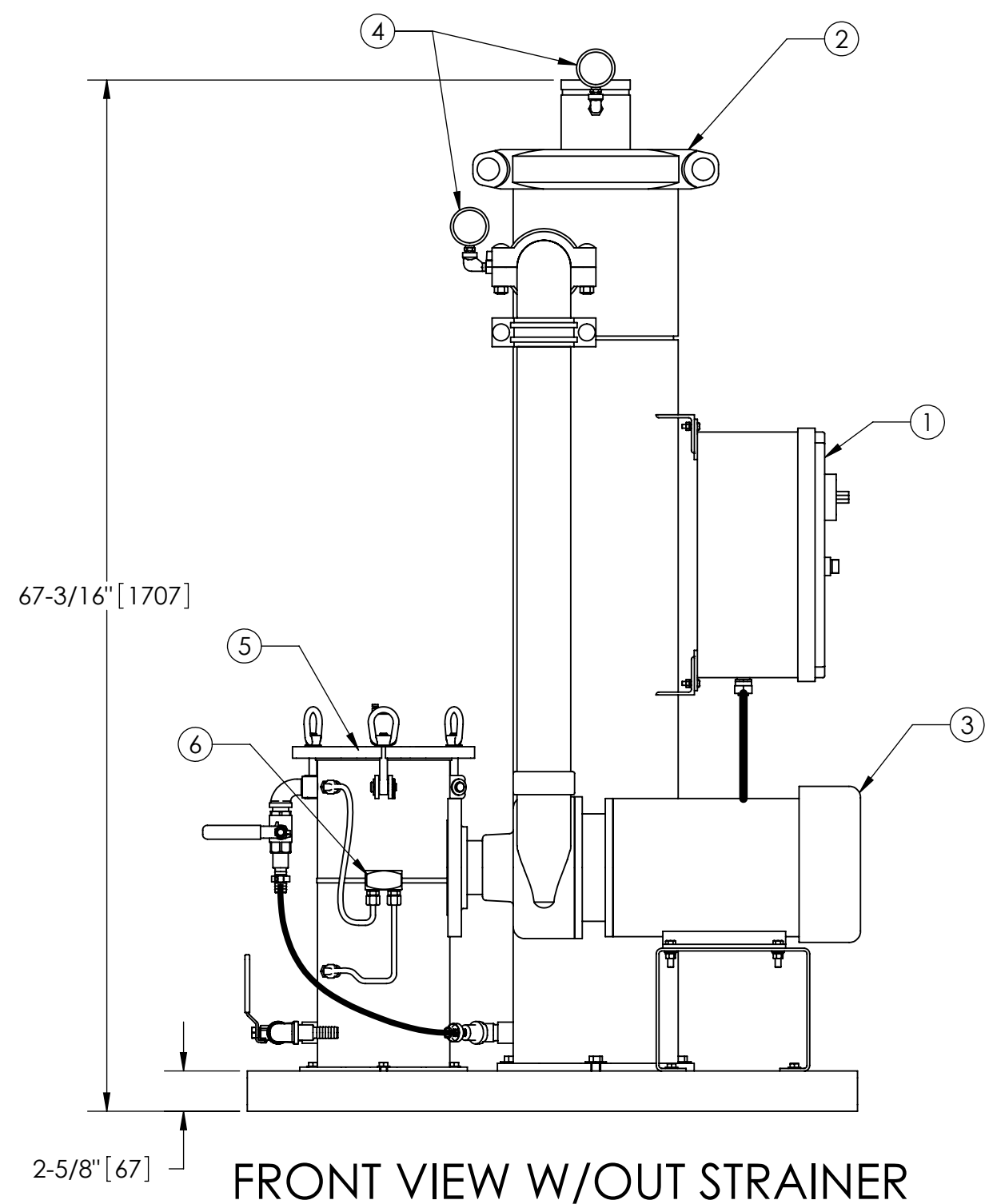
This drawing is submitted for spatial consideration only. Do not pre-plumb to these dimensions.

NOTES:

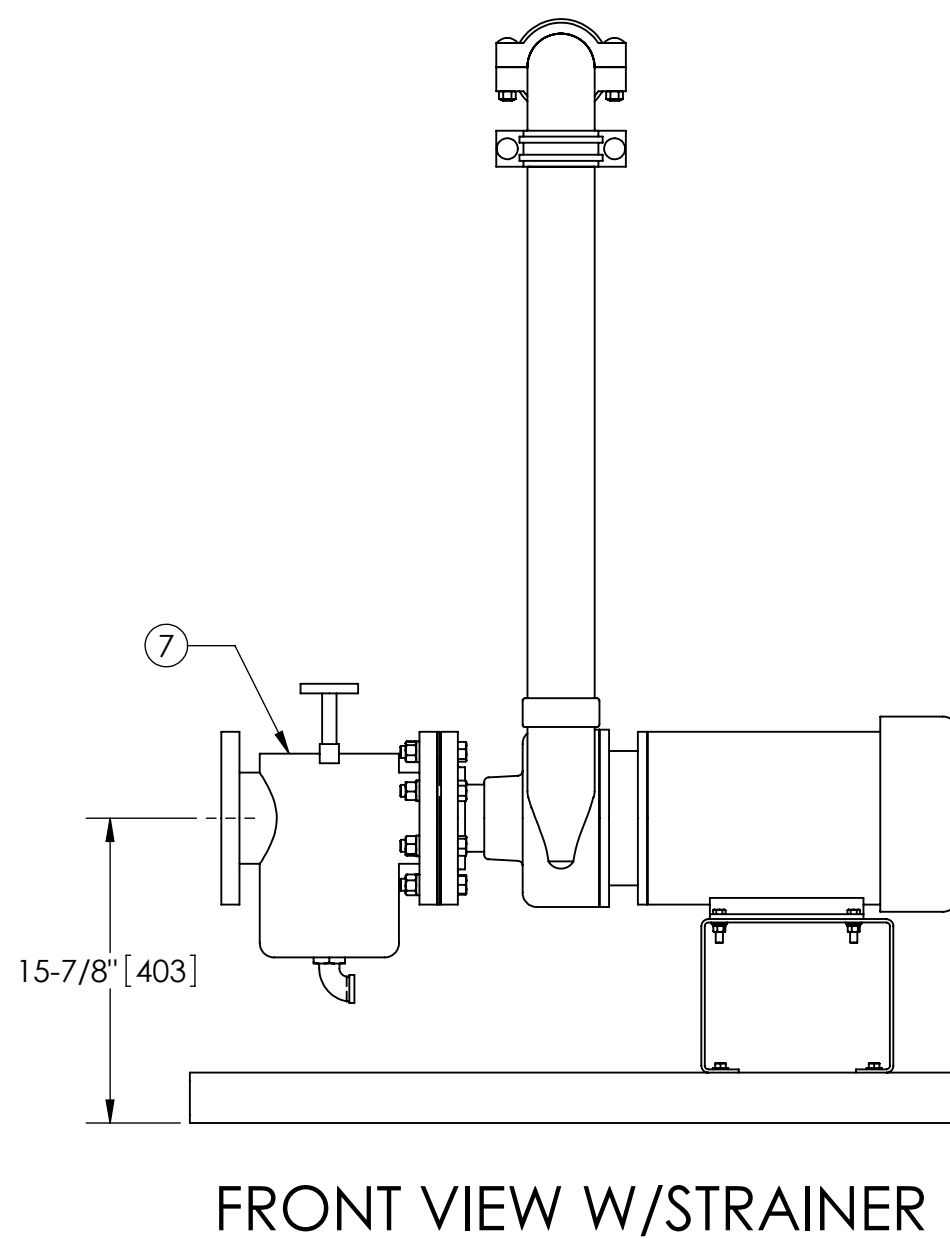
1. INLET IS 4" PIPE (125# ANSI FLANGED).
2. OUTLET IS 4" PIPE (GROOVED).
3. PURGE OUTLET IS 3/4" PIPE.
4. MAXIMUM PRESSURE: 150 psi (10.3 bar).
5. MAXIMUM TEMPERATURE: 100°F (37.8°C).
6. SPECIFIED FLOWRATE OF 280 gpm (64 m³/hr).
7. FINISH: AS ASSEMBLED.
8. POWER REQUIREMENT: 460V, 3PH, 60Hz.
9. NEMA 4X MOTOR STARTER ENCLOSURE WITH SAFETY DISCONNECT AND H.O.A. SWITCH.
10. APPROXIMATE DRY WEIGHT: 860 lbs (391 kg).
11. INLET/OUTLET VALVE KIT, MODEL TCV-0280 RECOMMENDED.
12. MINIMUM PIPE FROM TOWER BASIN TO TC SYSTEM IS 6" PIPE.
13. FLOODED SUCTION REQUIRED.

COMPONENT LIST:

- ① ELECTRICAL CONTROL BOX 460V 60Hz W/120V TRANSFORMER.
- ② SEPARATOR: HTX-0200-TC.
- ③ PUMP: 10 HP CENTRIFUGAL, 3500 rpm, 460V, 60Hz.
- ④ INLET/OUTLET PRESSURE GAUGES: 0-100 psi, GLYCERIN-FILLED.
- ⑤ PURGE EQUIPMENT: SRV-816.
- ⑥ DIFFERENTIAL PRESSURE INDICATOR: (AVAILABLE WITH DRY CONTACT-MODEL DHE-15-S. ORDER SEPARATELY).
- ⑦ BASKET STRAINER.



FRONT VIEW W/OUT STRAINER



FRONT VIEW W/STRAINER

| | | | | | | | |
|--|--|------------------------------------|---------|---|--------------------|---------------------------------|-----------|
| UNLESS OTHERWISE SPECIFIED: DIMENSIONS ARE IN: INCHES (mm) TOLERANCES ARE: FRACTIONS DECIMALS ANGLES ± 1/2" .XX ± .01 ± 1/4" XXX ± .005 XXXX ± .0005 | | ENGINEERED FOR: STANDARD | | CLAUDE LAVAL CORP. FRESNO, CALIFORNIA 93727 WWW.LAKOS.COM | | LAVAL UNDERGROUND SURVEYS | |
| DO NOT SCALE DRAWING | | APPROVALS | DATE | TITLE | | | |
| MATERIAL PER LAKOS SPEC | | DRAWN GMB/DLW | 4/29/05 | TCX-0280-SRV, TC SYSTEM SWEEPER HTX-0200, 460V 60HZ DELUXE | | | |
| FINISH AS ASSEMBLED | | ENGR HSK | 9/8/05 | SIZE C | MODEL NO. | DWG NO. 115429 | REV. D |
| | | WORK ORDER | QTY. | SCALE 1:10 | EST. WT. 860 lb | SHEET 1 OF 1 | |

DWG NO.

115429

SHT

REV. D

A