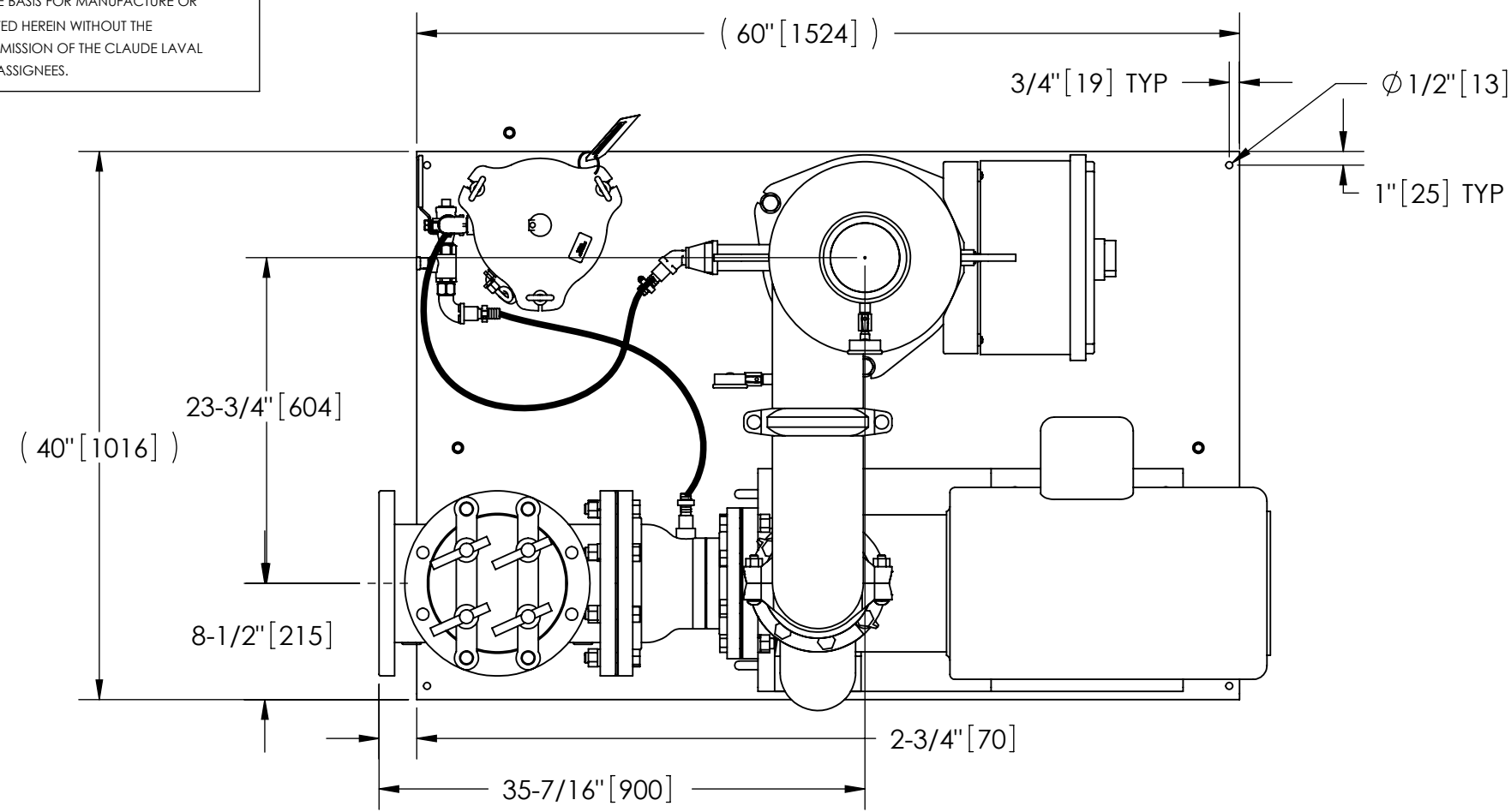


EXCEPT AS OTHERWISE PROVIDED BY CONTRACT, THIS DRAWING AND SPECIFICATIONS SHALL NOT BE REPRODUCED, COPIED OR USED AS THE BASIS FOR MANUFACTURE OR SALE OF MATTER DEPICTED HEREIN WITHOUT THE EXPRESSED WRITTEN PERMISSION OF THE CLAUDE LAVAL CORPORATION, OR ITS ASSIGNEES.

REVISIONS				
ZONE	REV.	DESCRIPTION	DATE	APPROVED
-	A	MFG UPDATE	6/9/2006	RGM
-	B	INLET/OUTLET HEIGHTS CHANGED	8/27/2007	DLW
	F	CHANGE PUMP MOUNT & STRAINER	7/12/2012	SUB
	G	REPLACE PUMP AND SKID	1/15/13	TRR

THIS DRAWING HAS BEEN GENERATED AND IS MAINTAINED BY A CAD SYSTEM. CHANGES SHALL ONLY BE INCORPORATED AS DIRECTED BY AN APPROVED ENGINEERING CHANGE ORDER (ECO). PAPER COPIES ARE UNCONTROLLED.



TOP VIEW

NOTES:

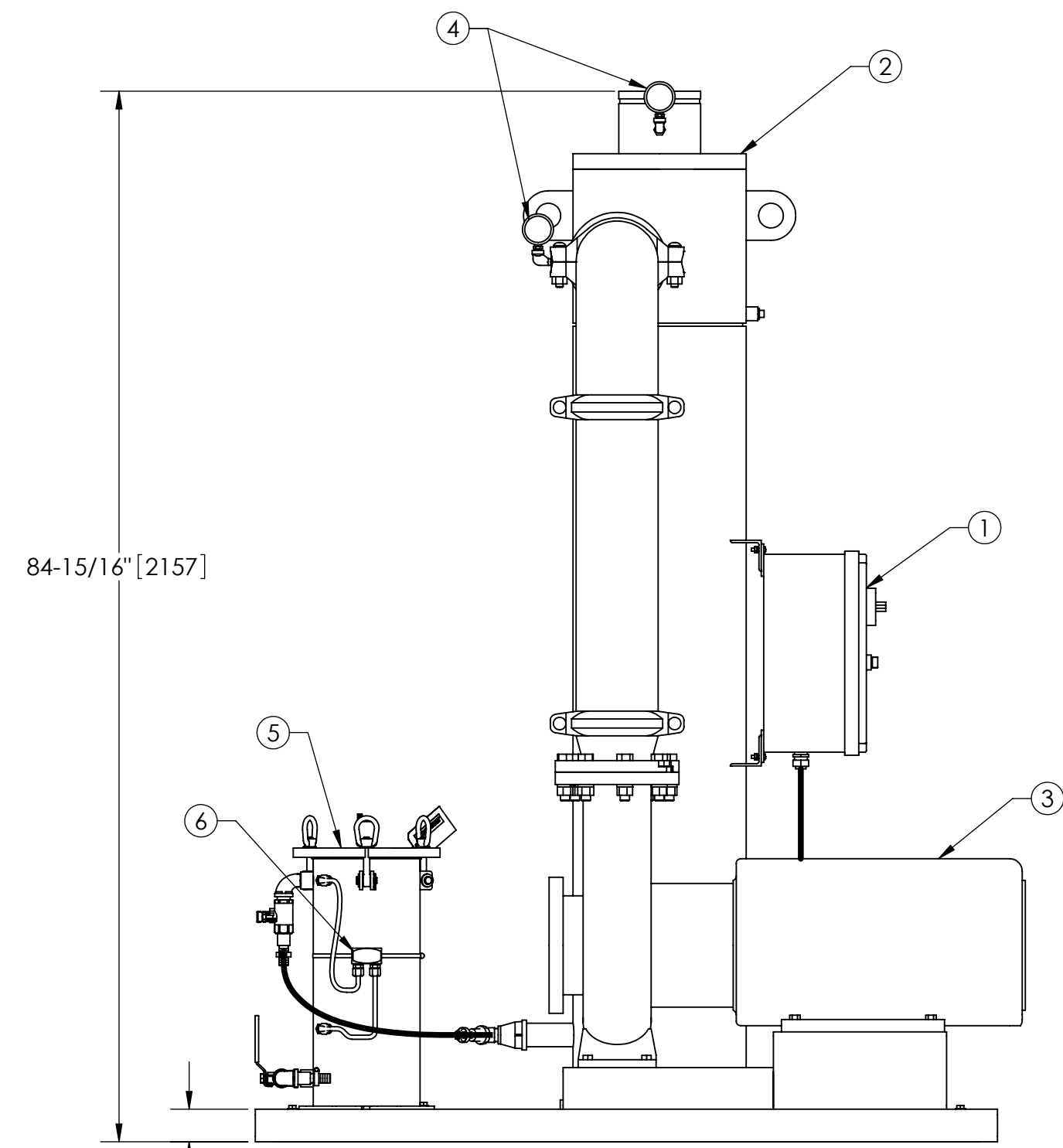
- INLET IS 8" PIPE (125# ANSI FLANGED).
- OUTLET IS 6" PIPE (GROOVED).
- PURGE OUTLET IS 1-1/2" PIPE.
- MAXIMUM PRESSURE: 150 psi (10.3 bar).
- MAXIMUM TEMPERATURE: 100°F (37.8°C).
- SPECIFIED FLOWRATE OF 825 gpm (187 m³/hr).
- FINISH: AS ASSEMBLED.
- POWER REQUIREMENT: 460V, 3PH, 60Hz.
- NEMA 4X MOTOR STARTER ENCLOSURE WITH SAFETY DISCONNECT AND H.O.A. SWITCH.
- APPROXIMATE DRY WEIGHT: 2411 lbs (1095 kg)
- INLET/OUTLET VALVE KIT, MODEL TCV-0825 RECOMMENDED.
- MINIMUM PIPE FROM TOWER BASIN TO TC SYSTEM IS 8" PIPE.
- FLOODED SUCTION REQUIRED.

COMPONENT LIST:

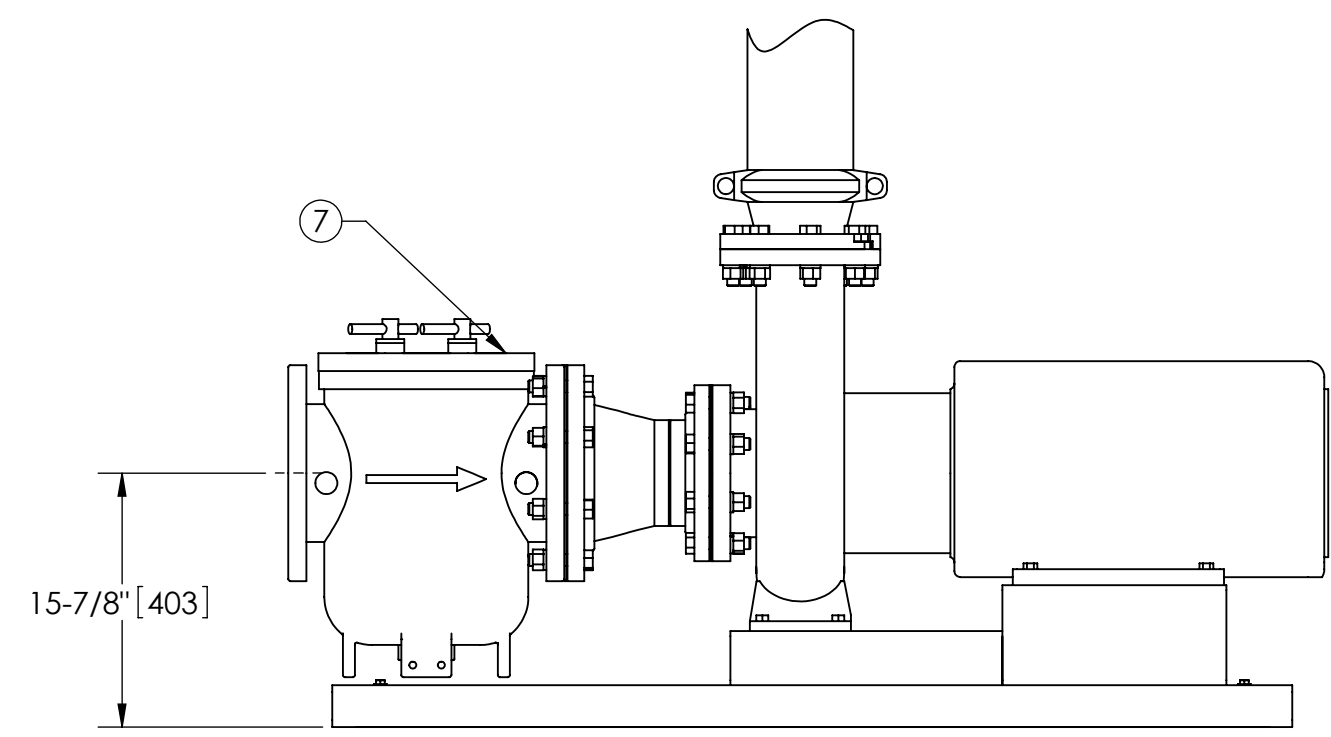
- ELECTRICAL CONTROL BOX 460V 60Hz W/120V TRANSFORMER.
- SEPARATOR: HTH-0450-TC.
- PUMP: 30 HP CENTRIFUGAL, 1800 rpm, 460V, 60Hz/PE.
- INLET/OUTLET PRESSURE GAUGES: 0-100 psi, GLYCERIN-FILLED.
- PURGE EQUIPMENT: SRV-816.
- DIFFERENTIAL PRESSURE INDICATOR: (AVAILABLE WITH DRY CONTACT-MODEL DHE-15-S. ORDER SEPARATELY).
- BASKET STRAINER.

SUBMITTAL DRAWING

This drawing is submitted for spatial consideration only. Do not pre-plumb to these dimensions.



FRONT VIEW W/O STRAINER



FRONT VIEW PUMP & STRAINER

<small>UNLESS OTHERWISE SPECIFIED: DIMENSIONS ARE IN: INCHES (mm) TOLERANCES ARE: FRACTIONS DECIMALS ANGLES ± 1/2" .XX ± .01 ± 1/4" .XXX ± .005 .XXXX ± .0005</small>	ENGINEERED FOR: 31115-1-09		LAKOS CLAUDE LAVAL CORP. FRESNO, CALIFORNIA 93727 WWW.LAKOS.COM			<small>LAVAL UNDERGROUND SURVEYS</small>
	DO NOT SCALE DRAWING	APPROVALS	DATE	TITLE		
	MATERIAL PER LAKOS SPEC	ENGR DLW	8/27/07	TCI-0825-SRV, TC SYSTEM, SWEEPER HTH-0450, 460V 60HZ STD		
	FINISH AS ASSEMBLED	MFG -	-	SIZE C		
	WORK ORDER	QTY.	SCALE 1:12	MODEL NO.	DWG NO. 115423	REV. G
				EST. WT. 2411 lb	SHEET 1 OF 1	

DWG. NO. 115423

SHEET REV. G