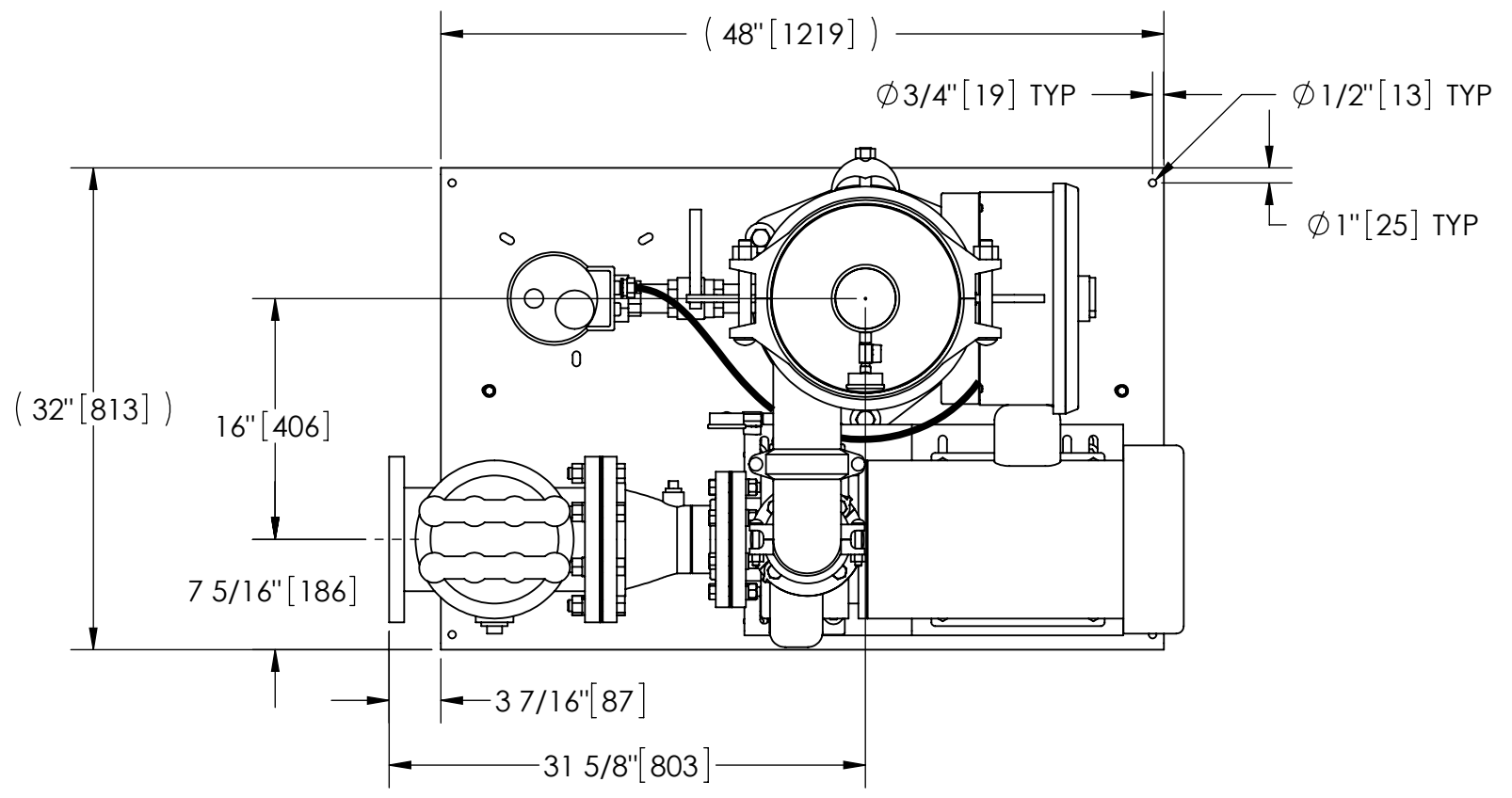


EXCEPT AS OTHERWISE PROVIDED BY CONTRACT, THIS DRAWING AND SPECIFICATIONS SHALL NOT BE REPRODUCED, COPIED OR USED AS THE BASIS FOR MANUFACTURE OR SALE OF MATTER DEPICTED HEREIN WITHOUT THE EXPRESSED WRITTEN PERMISSION OF THE CLAUDE LAVAL CORPORATION, OR ITS ASSIGNEES.

THIS DRAWING HAS BEEN GENERATED AND IS MAINTAINED BY A CAD SYSTEM. CHANGES SHALL ONLY BE INCORPORATED AS DIRECTED BY AN APPROVED ENGINEERING CHANGE ORDER (ECO). PAPER COPIES ARE UNCONTROLLED.

| REVISION HISTORY |     |             |      |          |
|------------------|-----|-------------|------|----------|
| ZONE             | REV | DESCRIPTION | DATE | APPROVED |
|                  |     |             |      |          |



TOP VIEW

NOTES:

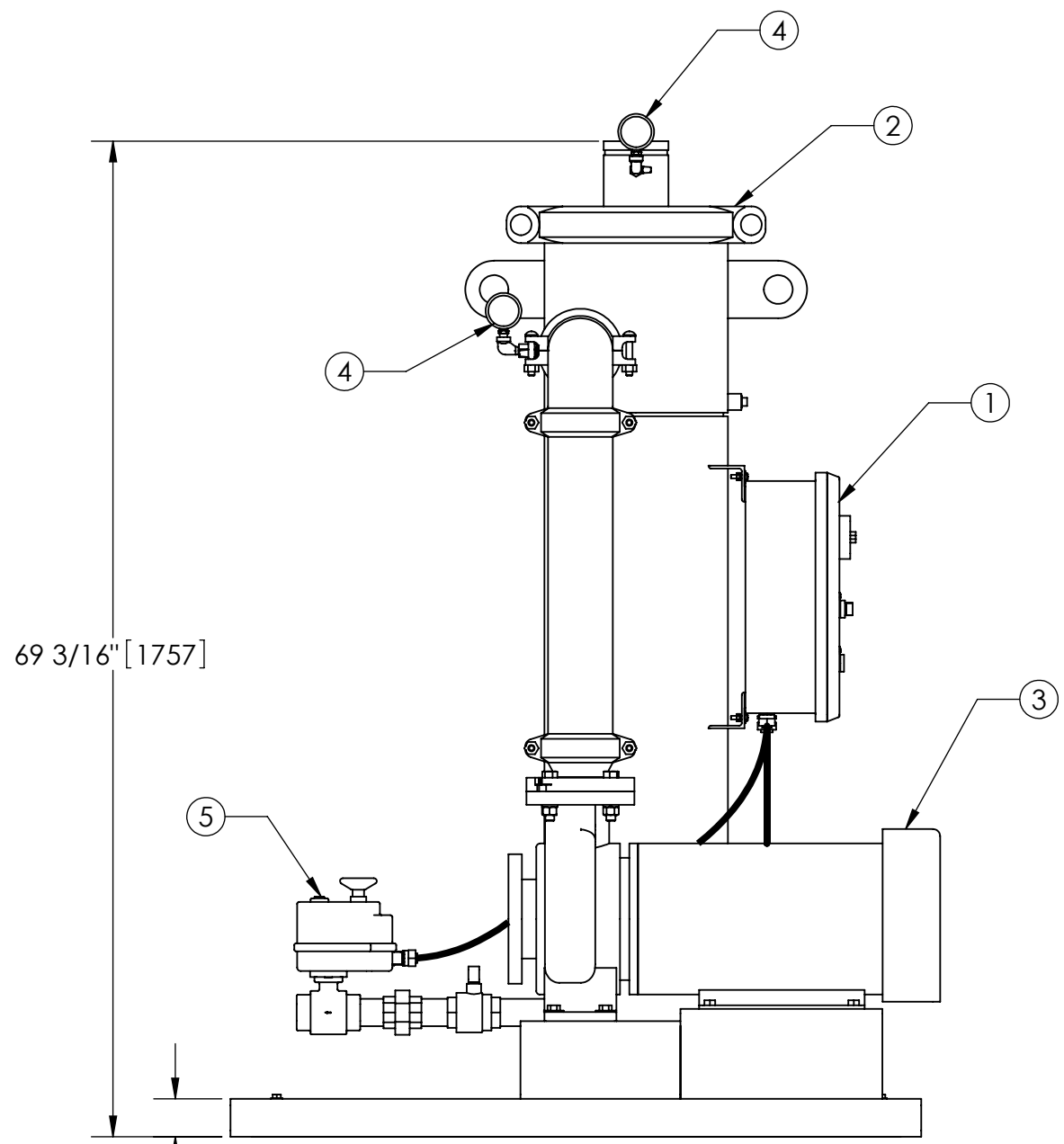
1. INLET IS 6" PIPE (125# ANSI FLANGED).
2. OUTLET IS 4" PIPE (GROOVED).
3. PURGE OUTLET IS 1-1/2" PIPE.
4. MAXIMUM PRESSURE: 150 psi (10.3 bar).
5. MAXIMUM TEMPERATURE: 100°F (37.8°C).
6. SPECIFIED FLOWRATE OF 525 gpm (119 m³/hr).
7. FINISH: AS ASSEMBLED.
8. POWER REQUIREMENT: 460V, 3PH, 60Hz.
9. NEMA 4X MOTOR STARTER ENCLOSURE WITH SAFETY DISCONNECT AND H.O.A. SWITCH.
10. APPROXIMATE DRY WEIGHT: 1221 lbs (554 kg).
11. INLET/OUTLET VALVE KIT, MODEL TCV-0525 RECOMMENDED.
12. MINIMUM PIPE FROM TOWER BASIN TO TC SYSTEM IS 8" PIPE.
13. FLOODED SUCTION REQUIRED.

COMPONENT LIST:

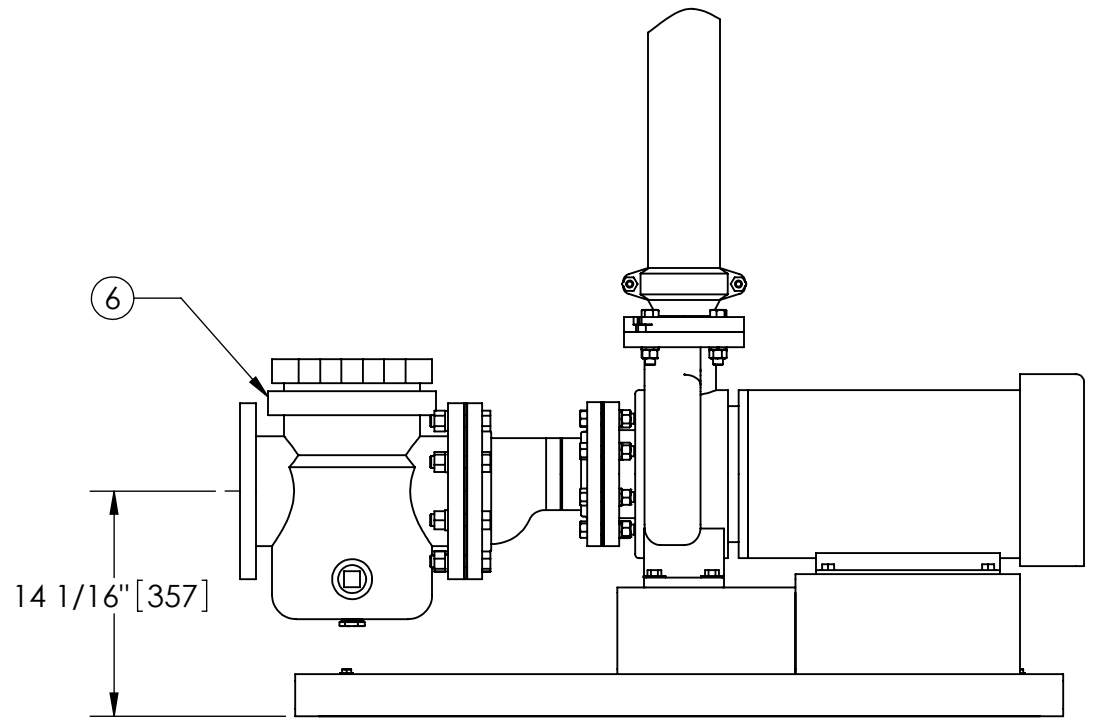
- ① ELECTRICAL CONTROL BOX 460V 60Hz W/120V TRANSFORMER.
- ② SEPARATOR: HTX-0285-TC.
- ③ PUMP: 20 HP CENTRIFUGAL, 3500 rpm, 460V, 60Hz.
- ④ INLET/OUTLET PRESSURE GAUGES: 0-100 psi, GLYCERIN-FILLED.
- ⑤ PURGE EQUIPMENT: ABV-15-120V.
- ⑥ BASKET STRAINER.

SUBMITTAL DRAWING

This drawing is submitted for spatial consideration only. Do not pre-plumb to these dimensions.



FRONT VIEW W/O STRAINER



FRONT VIEW PUMP & STRAINER

|  |                                    |      |   |  |
|--|------------------------------------|------|---|--|
| UNLESS OTHERWISE SPECIFIED:<br>DIMENSIONS ARE IN: INCHES [mm]<br>TOLERANCES ARE:<br>FRACTIONS    DECIMALS    ANGLES<br>± 1/2"    .XX ± .01    ± 1/4°<br>.XXX ± .005<br>.XXXX ± .0005 | ENGINEERED FOR:<br><b>STANDARD</b> |      | CLAUDE LAVAL CORP.<br>FRESNO, CALIFORNIA 93727<br>WWW.LAKOS.COM | LAVAL<br>UNDERGROUND<br>SURVEYS                                |
|  | APPROVALS                          | DATE |   |  |
| DO NOT SCALE DRAWING   | DRAWN                              | HSK  | 5/24/05   | TITLE  |
| MATERIAL<br>PER LAKOS SPEC   | ENGR                               | HSK  | 9/13/05   | TCX-0525-ABV, TC SYSTEM,<br>SWEEPER HTX-0285, 460V 60HZ DELUXE |
| FINISH<br>AS ASSEMBLED   | MFG                                | -    | -   | SIZE   |
|  | WORK ORDER                         |      |   | MODEL NO.  |
|  |                                    |      |   | DWG NO.  |
|  |                                    |      |   | <b>122733</b>  |
|  |                                    |      |   | REV.   |
|  |                                    |      |   | -  |
|  |                                    |      |   | SCALE  |
|  |                                    |      |   | 1:12   |
|  |                                    |      |   | EST. WT.   |
|  |                                    |      |   | 1221 lb  |
|  |                                    |      |   | SHEET  |
|  |                                    |      |   | 1 OF 1   |

DWG. NO. 122733