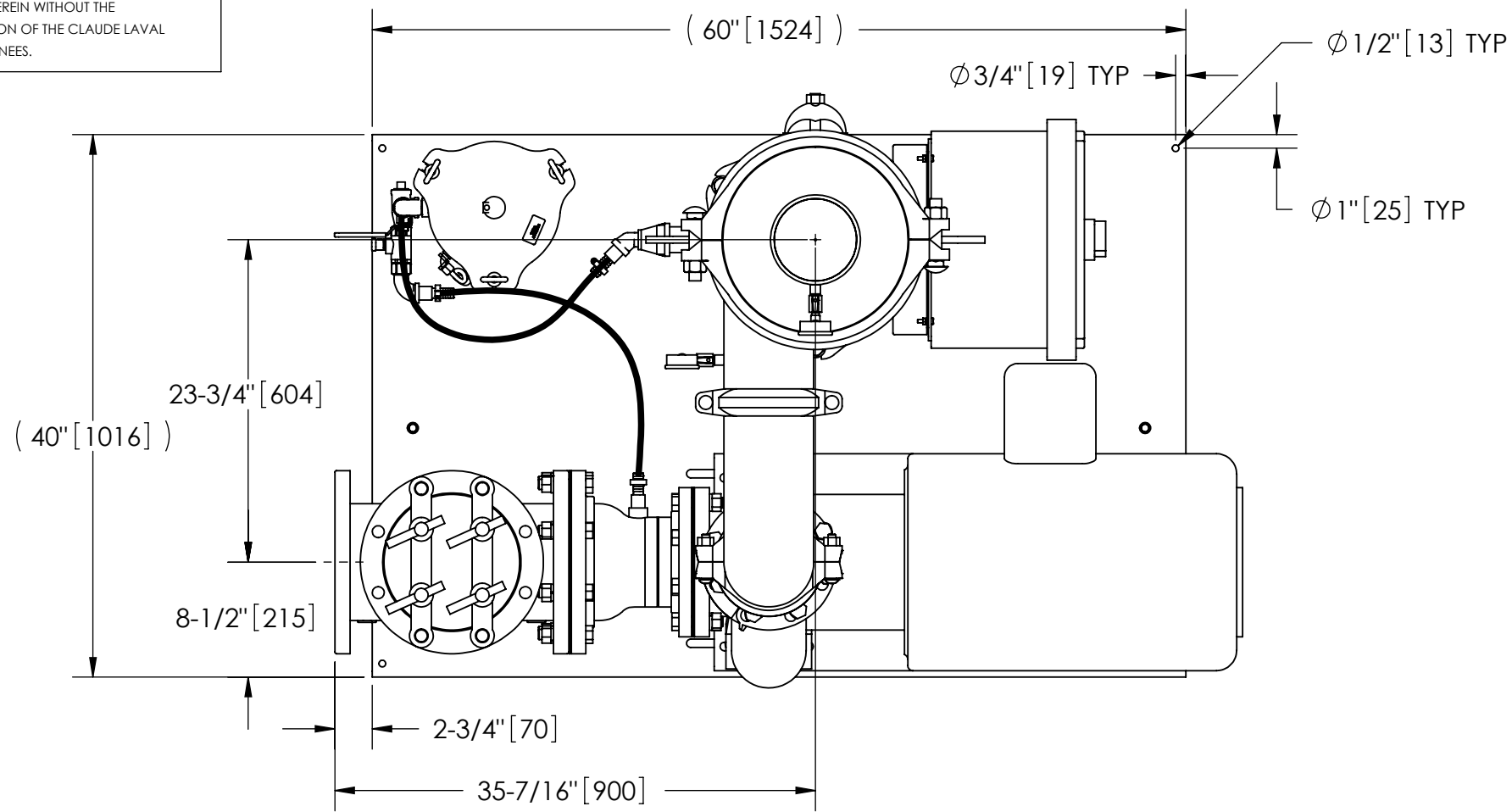


EXCEPT AS OTHERWISE PROVIDED BY CONTRACT, THIS DRAWING AND SPECIFICATIONS SHALL NOT BE REPRODUCED, COPIED OR USED AS THE BASIS FOR MANUFACTURE OR SALE OF MATTER DEPICTED HEREIN WITHOUT THE EXPRESSED WRITTEN PERMISSION OF THE CLAUDE LAVAL CORPORATION, OR ITS ASSIGNEES.

THIS DRAWING HAS BEEN GENERATED AND IS MAINTAINED BY A CAD SYSTEM. CHANGES SHALL ONLY BE INCORPORATED AS DIRECTED BY AN APPROVED ENGINEERING CHANGE ORDER (ECO). PAPER COPIES ARE UNCONTROLLED.

REVISIONS				
ZONE	REV.	DESCRIPTION	DATE	APPROVED
-	A-E	MFG UPDATE	2/27/2007	ADJ
-	F	LOWERED INLET/OUTLET	8/27/2007	DLW
-	K	REVISED MOTOR MOUNT & NEW STY STRAINER	7/13/2012	SUB
-	L	CAHNGE PUMP AND ADD NEW PUMP MOUNTS	2/11/13	TRR



TOP VIEW

NOTES:

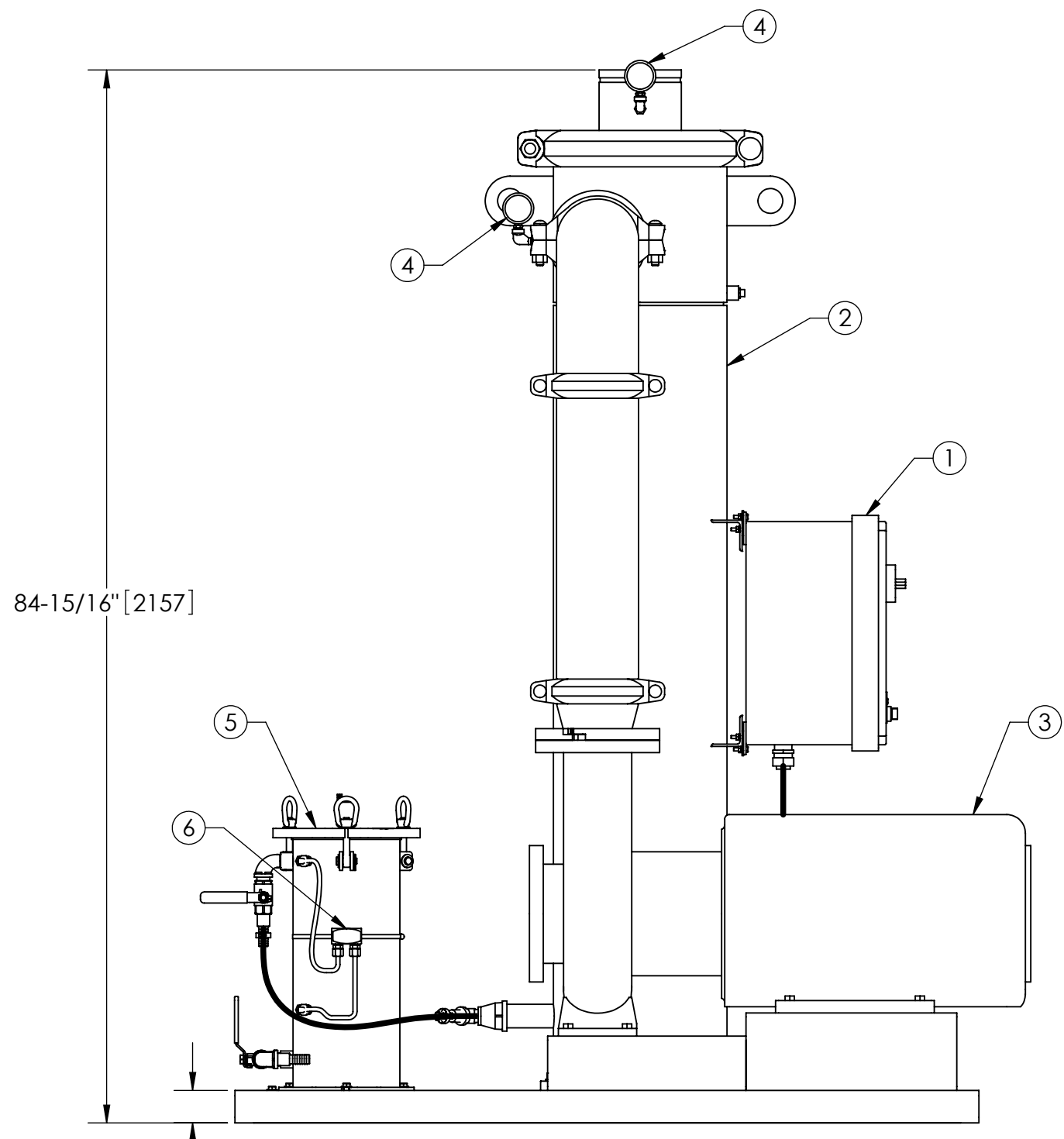
- INLET IS 8" PIPE (125# ANSI FLANGED).
- OUTLET IS 6" PIPE (GROOVED).
- PURGE OUTLET IS 1-1/2" PIPE.
- MAXIMUM PRESSURE: 150 psi (10.3 bar).
- MAXIMUM TEMPERATURE: 100°F (37.8°C).
- SPECIFIED FLOWRATE OF 1100 gpm (250 m³/hr).
- FINISH: AS ASSEMBLED.
- POWER REQUIREMENT: 460V, 3PH, 60Hz.
- NEMA 4X MOTOR STARTER ENCLOSURE WITH SAFETY DISCONNECT AND H.O.A. SWITCH.
- APPROXIMATE DRY WEIGHT: 2511 lbs (1039 kg).
- INLET/OUTLET VALVE KIT, MODEL TCV-1100 RECOMMENDED.
- MINIMUM PIPE FROM TOWER BASIN TO TC SYSTEM IS 10" PIPE.
- FLOODED SUCTION REQUIRED.

COMPONENT LIST:

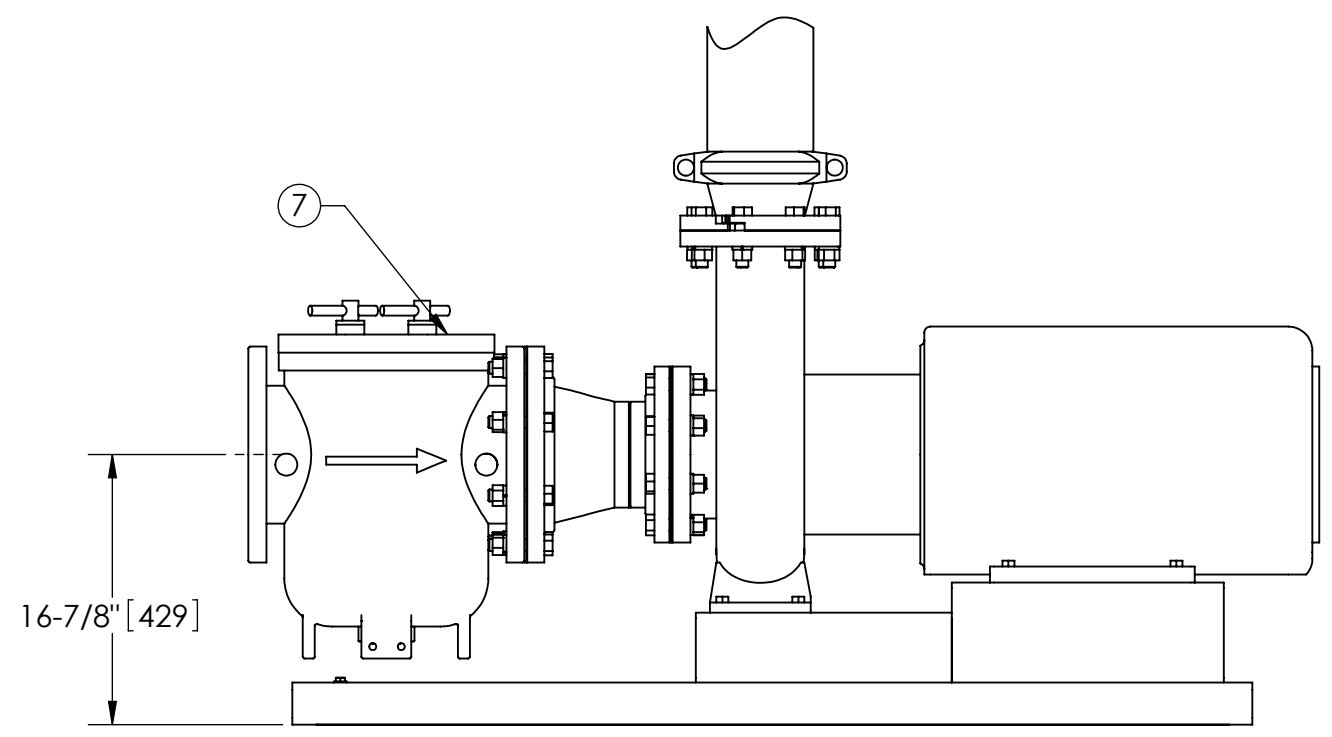
- ELECTRICAL CONTROL BOX 460V 60Hz W/120V TRANSFORMER.
- SEPARATOR: HTX-0500-TC.
- PUMP: 40 HP CENTRIFUGAL, 1800 rpm, 460V, 60Hz.
- INLET/OUTLET PRESSURE GAUGES: 0-100 psi, GLYCERIN-FILLED.
- PURGE EQUIPMENT: SRV-81 6.
- DIFFERENTIAL PRESSURE INDICATOR: (AVAILABLE WITH DRY CONTACT-MODEL DHE-15-S. ORDER SEPARATELY).
- BASKET STRAINER.

SUBMITTAL DRAWING

This drawing is submitted for spatial consideration only. Do not pre-plumb to these dimensions.



FRONT VIEW W/O STRAINER



FRONT VIEW PUMP & STRAINER

UNLESS OTHERWISE SPECIFIED: DIMENSIONS ARE IN: INCHES (mm) TOLERANCES ARE: FRACTIONS DECIMALS ANGLES ± 1/2" .XX ± .01 ± 1/4" .XXX ± .005 .XXXX ± .0005	ENGINEERED FOR: <b>STANDARD</b>		CLAUDE LAVAL CORP. FRESNO, CALIFORNIA 93727 WWW.LAKOS.COM LAVAL UNDERGROUND SURVEYS
	APPROVALS	DATE	
DO NOT SCALE DRAWING	DRAWN SDF/HSK	5/23/05	TITLE TCX-1100-SRV, TC SYSTEM, SWEEPER HTX-0500, 460V 60HZ DELUXE
MATERIAL PER LAKOS SPEC	ENGR DLW	8/27/07	SIZE C
FINISH AS ASSEMBLED	MFG -	-	MODEL NO.
	WORK ORDER	QTY.	DWG NO. <b>115433</b>
			EST. WT. 2511 lb
			SHEET 1 OF 1

DWG NO. 115433  
SHT 1  
REV. L