

EXCEPT AS OTHERWISE PROVIDED BY CONTRACT, THIS DRAWING AND SPECIFICATIONS SHALL NOT BE REPRODUCED, COPIED OR USED AS THE BASIS FOR MANUFACTURE OR SALE OF MATTER DEPICTED HEREIN WITHOUT THE EXPRESSED WRITTEN PERMISSION OF THE CLAUDE LAVAL CORPORATION, OR ITS ASSIGNEES.

THIS DRAWING HAS BEEN GENERATED AND IS MAINTAINED BY A CAD SYSTEM. CHANGES SHALL ONLY BE INCORPORATED AS DIRECTED BY AN APPROVED ENGINEERING CHANGE ORDER (ECO). PAPER COPIES ARE UNCONTROLLED.

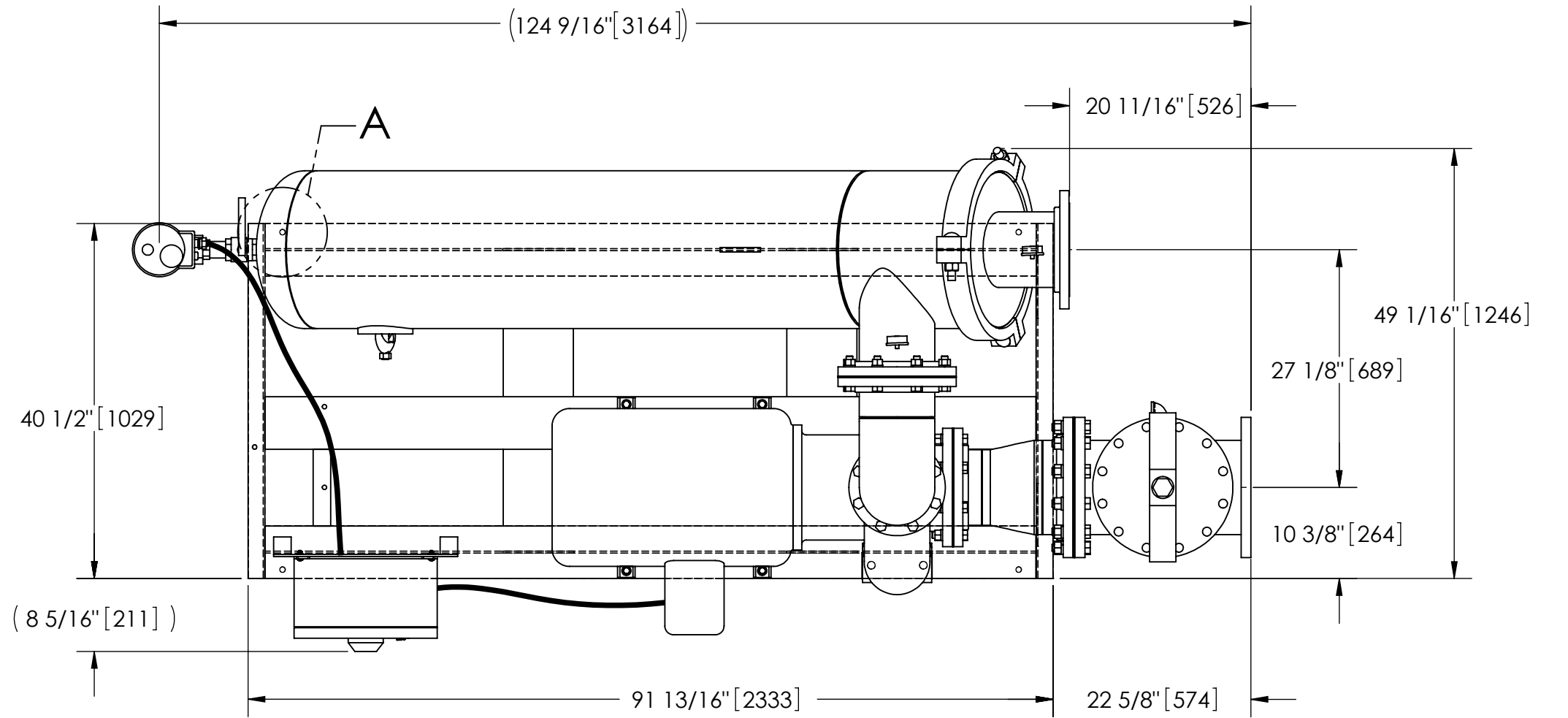
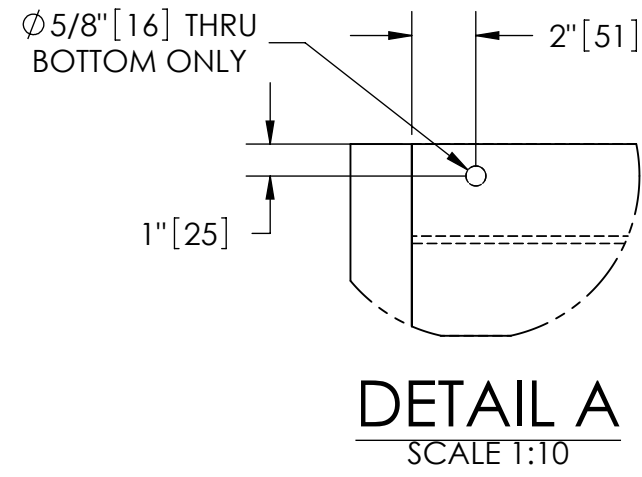
REVISION HISTORY				
ZONE	REV	DESCRIPTION	DATE	APPROVED
	A	UPDATED PUMP LAYOUT	7/15/08	ADJ
	B	CHANGED PUMP	3/21/11	ADJ

NOTES:

1. INLET IS 10" PIPE (125# ANSI FLANGED).
2. OUTLET IS 8" PIPE (150# ANSI FLANGED).
3. PURGE OUTLET IS 1-1/2" PIPE.
4. MAXIMUM PRESSURE: 150 psi (10.3 bar).
5. MAXIMUM TEMPERATURE: 100°F (37.8°C).
6. SPECIFIED FLOWRATE OF 1670 gpm (380 m³/hr).
7. FINISH: AS ASSEMBLED.
8. POWER REQUIREMENT: 460V, 3PH, 60Hz.
9. <PARA >APPROXIMATE DRY WEIGHT: 3569 lbs (1618 kg).
10. <PARA >MINIMUM PIPE FROM TOWER BASIN TO TC SYSTEM IS 10" PIPE.
11. FLOODED SUCTION REQUIRED.

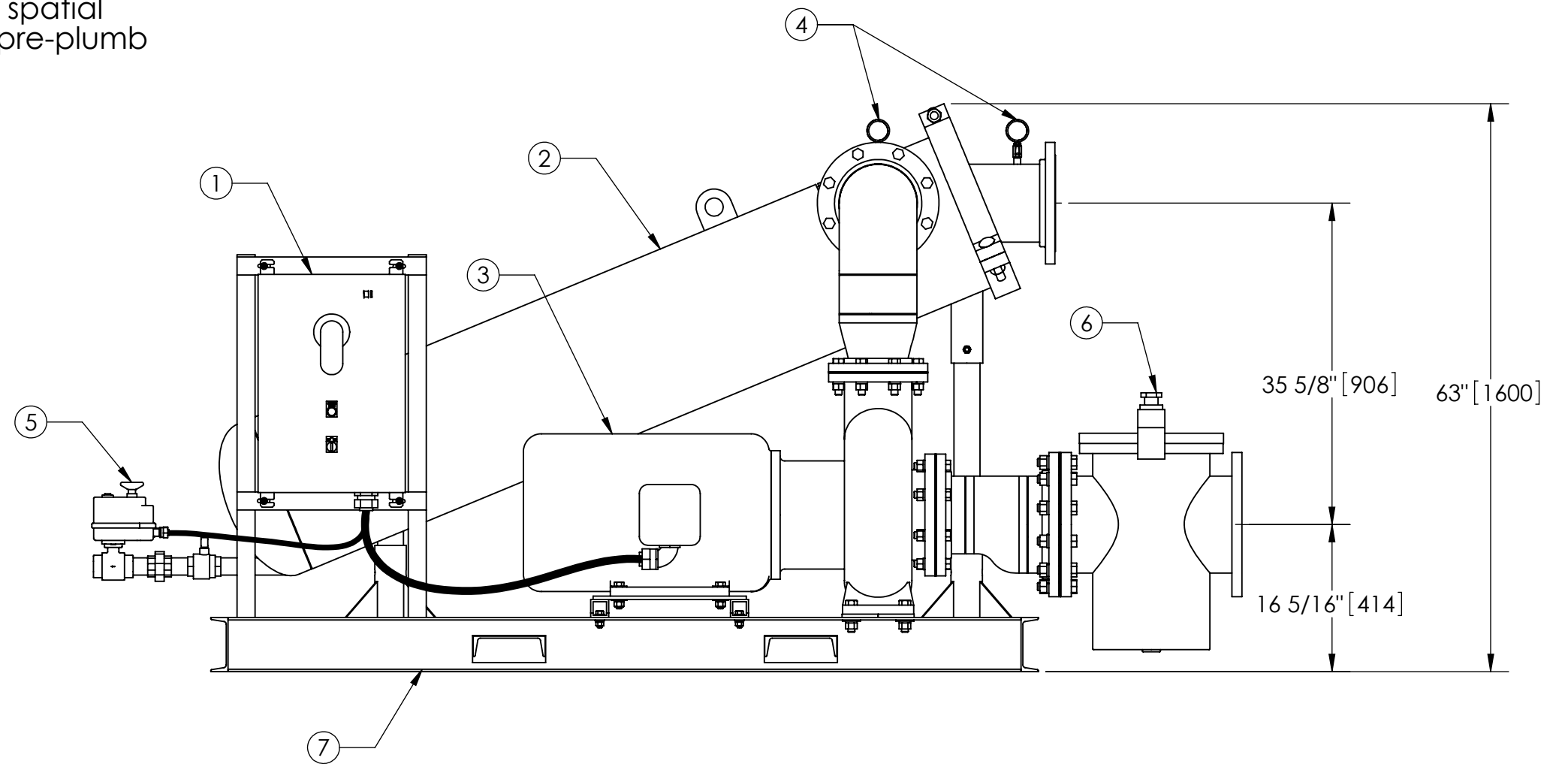
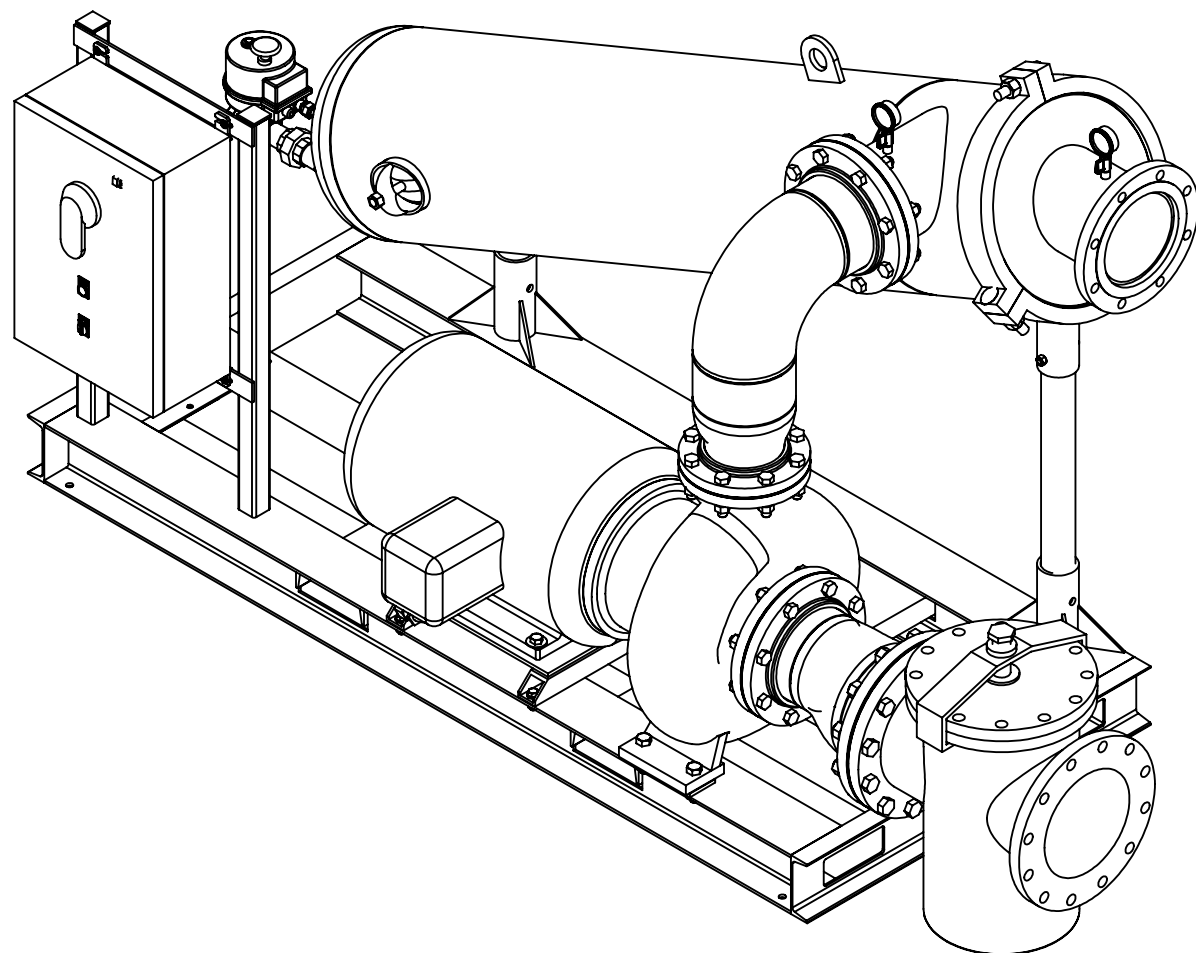
COMPONENT LIST:

- ① ELECTRICAL CONTROL BOX 460V 60HZ W/115V TRANSFORMER.
- ② SEPARATOR: HTX-0810-L/FLG.
- ③ PUMP: CENTRIFUGAL, 60 HP, 1800 rpm, 460V, 60Hz.
- ④ INLET/OUTLET PRESSURE GAUGES: 0-100 psi, GLYCERIN-FILLED.
- ⑤ PURGE EQUIPMENT: ABV-15-120.
- ⑥ BASKET STRAINER 10".
- ⑦ SKID: CARBON STEEL, EPOXY COATED.



SUBMITTAL DRAWING

This drawing is submitted for spatial consideration only. Do not pre-plumb to these dimensions.



UNLESS OTHERWISE SPECIFIED: DIMENSIONS ARE IN: INCHES [mm] TOLERANCES ARE: FRACTIONS DECIMALS ANGLES ± 1" .XX ± .01 ± 1/4" .XXX ± .005 .XXXX ± .0005		ENGINEERED FOR: ABV		LAKOS. CLAUDE LAVAL CORP. FRESNO, CALIFORNIA 93727 WWW.LAKOS.COM		LAVAL UNDERGROUND SURVEYS	
DO NOT SCALE DRAWING		APPROVALS	DATE	TITLE TCX-1670-ABV/L, TC SYSTEM, SWEEPER HTX-0810-L, 3/60/460V DELUXE			
MATERIAL PER LAKOS SPEC		DRAWN ADJ	9/16/05	ENGR HSK		1/9/06	
FINISH AS ASSEMBLED		MFG -	-	WORK ORDER		QTY.	
SCALE 1:16		EST. WT. 3569 lb		SHEET 1 OF 1		DWG NO. 125107	
SIZE C		REV. B					