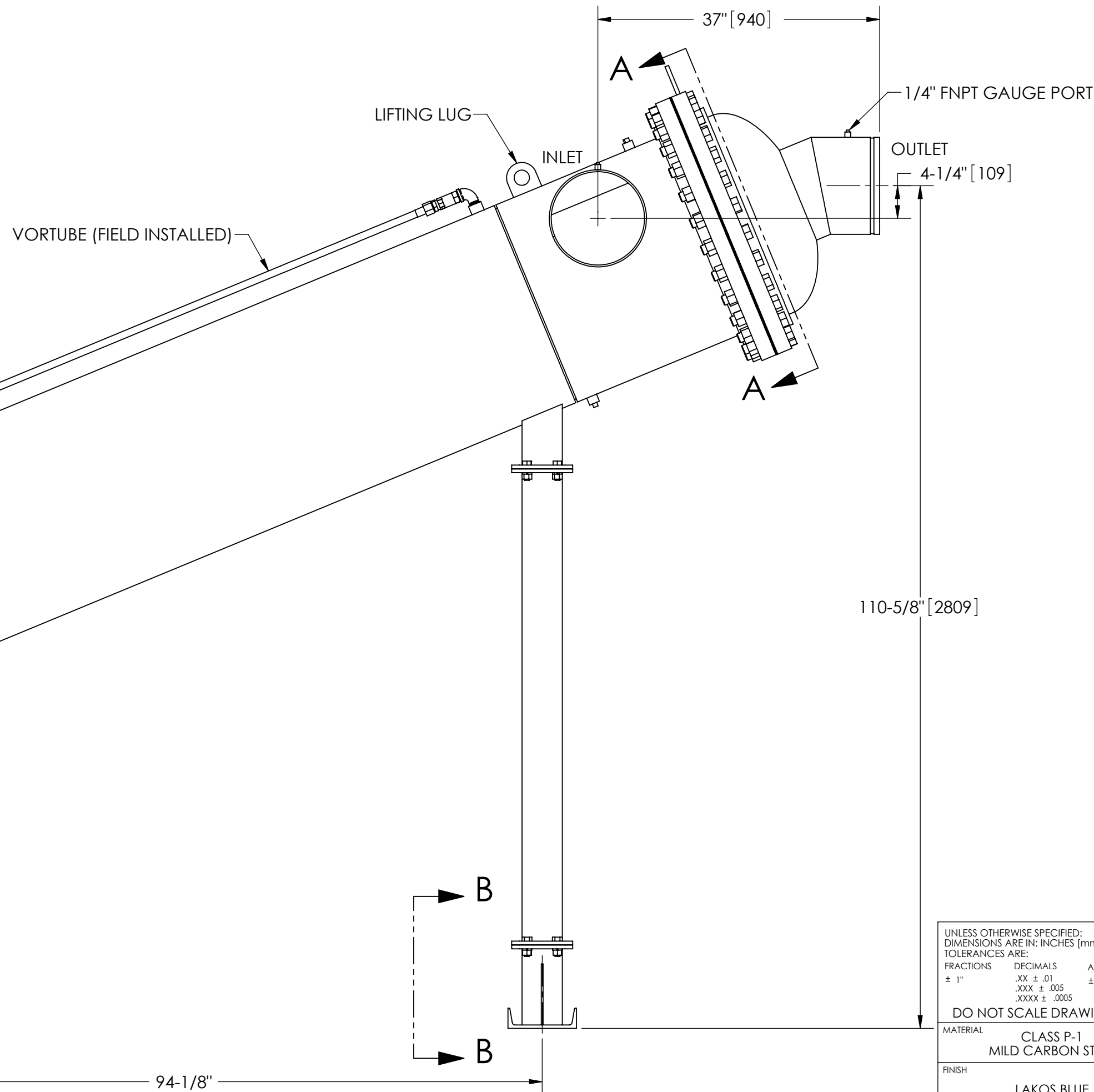
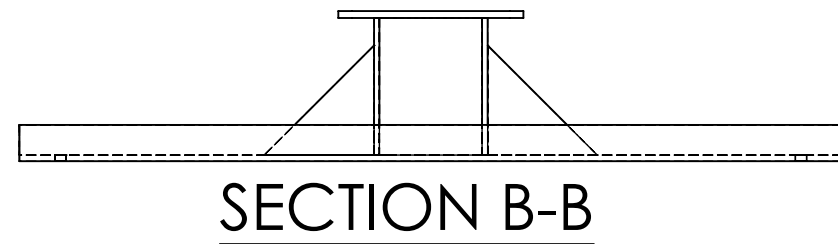
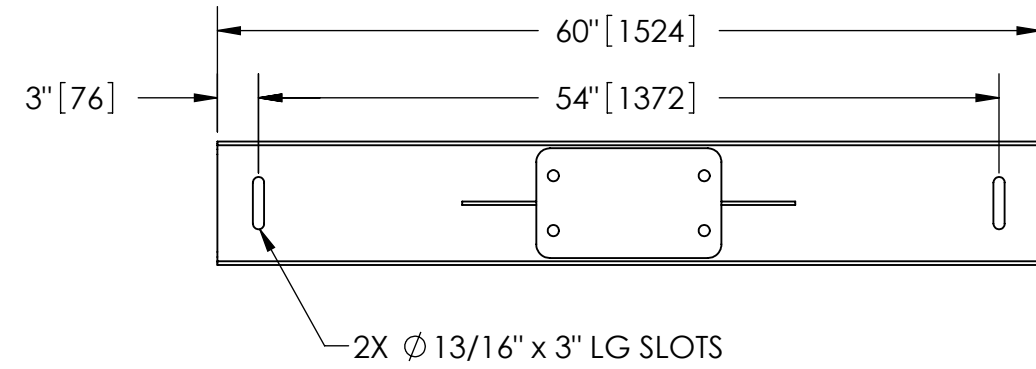


EXCEPT AS OTHERWISE PROVIDED BY CONTRACT, THIS DRAWING AND SPECIFICATIONS SHALL NOT BE REPRODUCED, COPIED OR USED AS THE BASIS FOR MANUFACTURE OR SALE OF MATTER DEPICTED HEREIN WITHOUT THE EXPRESSED WRITTEN PERMISSION OF THE CLAUDE LAVAL CORPORATION, OR ITS ASSIGNEES.

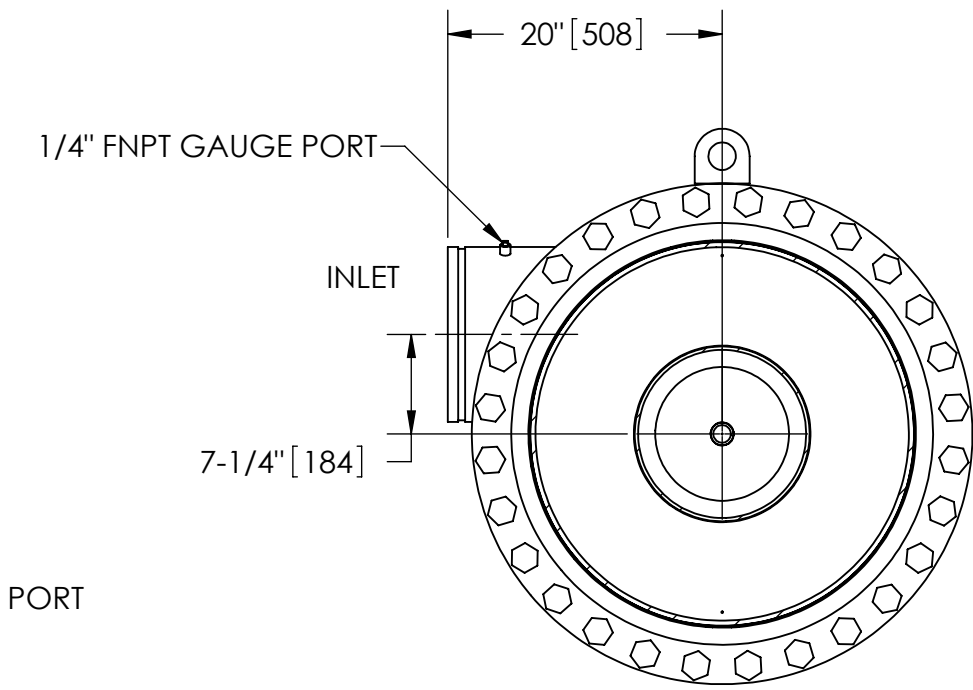
NOTES:

1. INLET & OUTLET ARE 12" GROOVED PIPE.
2. MAXIMUM PRESSURE: 150 psi (10.3 bar).
3. MAXIMUM TEMPERATURE: 180°F (82.2°C).
4. PRESSURE LOSS: 3-12 psid (.2-.8 bar) AT RATED FLOW.
5. RATED FLOW: 2650-4900 gpm (600-1115 m³/hr).
6. APPROXIMATE DRY WEIGHT: 3664 lbs (1661 kg).
7. FINISH: LAKOS BLUE (EXTERIOR ONLY).

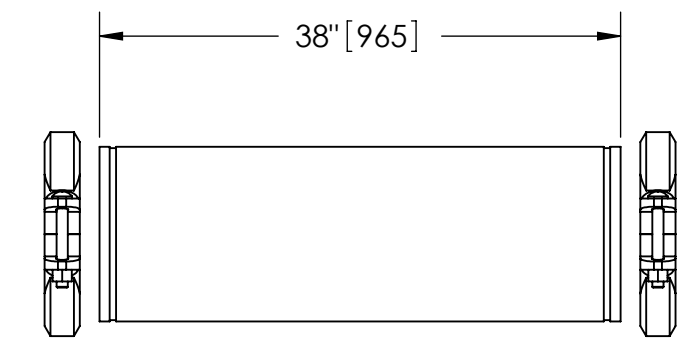


REVISIONS				
ZONE	REV.	DESCRIPTION	DATE	APPROVED

THIS DRAWING HAS BEEN GENERATED AND IS MAINTAINED BY A CAD SYSTEM. CHANGES SHALL ONLY BE INCORPORATED AS DIRECTED BY AN APPROVED ENGINEERING CHANGE ORDER (ECO). PAPER COPIES ARE UNCONTROLLED.



SECTION A-A



**GROOVED SPOOL**  
 MODEL GCS-2650 (AVAILABLE SEPARATELY)  
 REQUIRED FOR REMOVAL OF TOP ASSEMBLY

**SUBMITTAL DRAWING**

This drawing is submitted for spatial consideration only. Do not pre-plumb to these dimensions.

UNLESS OTHERWISE SPECIFIED: DIMENSIONS ARE IN: INCHES (mm) TOLERANCES ARE: FRACTIONS DECIMALS ANGLES ± 1" .XX ± .01 ± 1/4" .XXX ± .005 .XXXX ± .0005		ENGINEERED FOR: <b>STANDARD</b>		CLAUDE LAVAL CORP. FRESNO, CALIFORNIA 93727 WWW.LAKOS.COM		LAVAL UNDERGROUND SURVEYS	
DO NOT SCALE DRAWING		APPROVALS	DATE	TITLE			
MATERIAL	CLASS P-1 MILD CARBON STEEL	DRAWN	EL	2/04/08		JPX-2650-L, SEPERATOR, 2650-4900 gpm, CARBON STEEL	
FINISH	LAKOS BLUE	ENGR	JBI	2/5/08		SIZE	MODEL NO.
		MFG	-	-		DWG NO.	115253
		WORK ORDER		QTY.		EST. WT.	3664 lb
		SCALE	1:14	SHEET		1 OF 1	REV. F

DWG. NO. 115253  
 SH 1  
 REV. F