

EXCEPT AS OTHERWISE PROVIDED BY CONTRACT, THIS DRAWING AND SPECIFICATIONS SHALL NOT BE REPRODUCED, COPIED OR USED AS THE BASIS FOR MANUFACTURE OR SALE OF MATTER DEPICTED HEREIN WITHOUT THE EXPRESSED WRITTEN PERMISSION OF THE CLAUDE LAVAL CORPORATION, OR ITS ASSIGNEES.

THIS DRAWING HAS BEEN GENERATED AND IS MAINTAINED BY A CAD SYSTEM. CHANGES SHALL ONLY BE INCORPORATED AS DIRECTED BY AN APPROVED ENGINEERING CHANGE ORDER (ECO). PAPER COPIES ARE UNCONTROLLED.

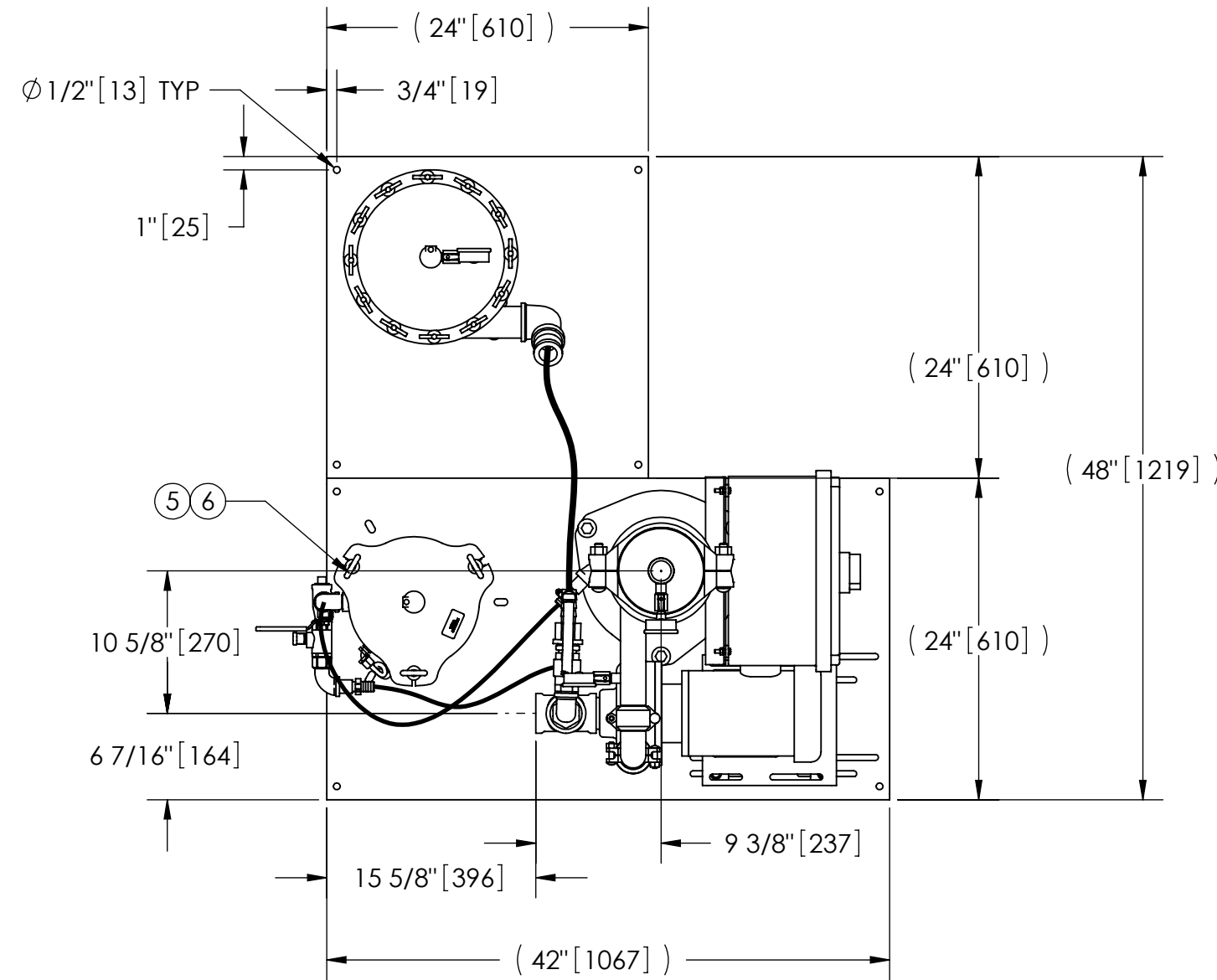
REVISION HISTORY				
ZONE	REV	DESCRIPTION	DATE	APPROVED

NOTES:

1. INLET IS 2" PIPE (NPT).
2. OUTLET IS 1-1/2" PIPE (NPT).
3. PURGE OUTLET IS 3/4" PIPE.
4. MAXIMUM PRESSURE: 150 psi (10.3 bar).
5. MAXIMUM TEMPERATURE: 100°F (37.8°C).
6. SPECIFIED FLOWRATE OF 65 gpm (15 m³/hr).
7. FINISH: AS ASSEMBLED.
8. POWER REQUIREMENT: 460V, 3PH, 60Hz.
9. NEMA 4X MOTOR STARTER ENCLOSURE WITH SAFETY DISCONNECT AND H.O.A. SWITCH.
10. APPROXIMATE DRY WEIGHT: 632 lbs (287 kg).
11. INLET/OUTLET VALVE KIT, MODEL TCV-0065-PLUS RECOMMENDED.
12. MINIMUM PIPE TO SYSTEM IS 2-1/2" PIPE.
13. FLOODED SUCTION REQUIRED.

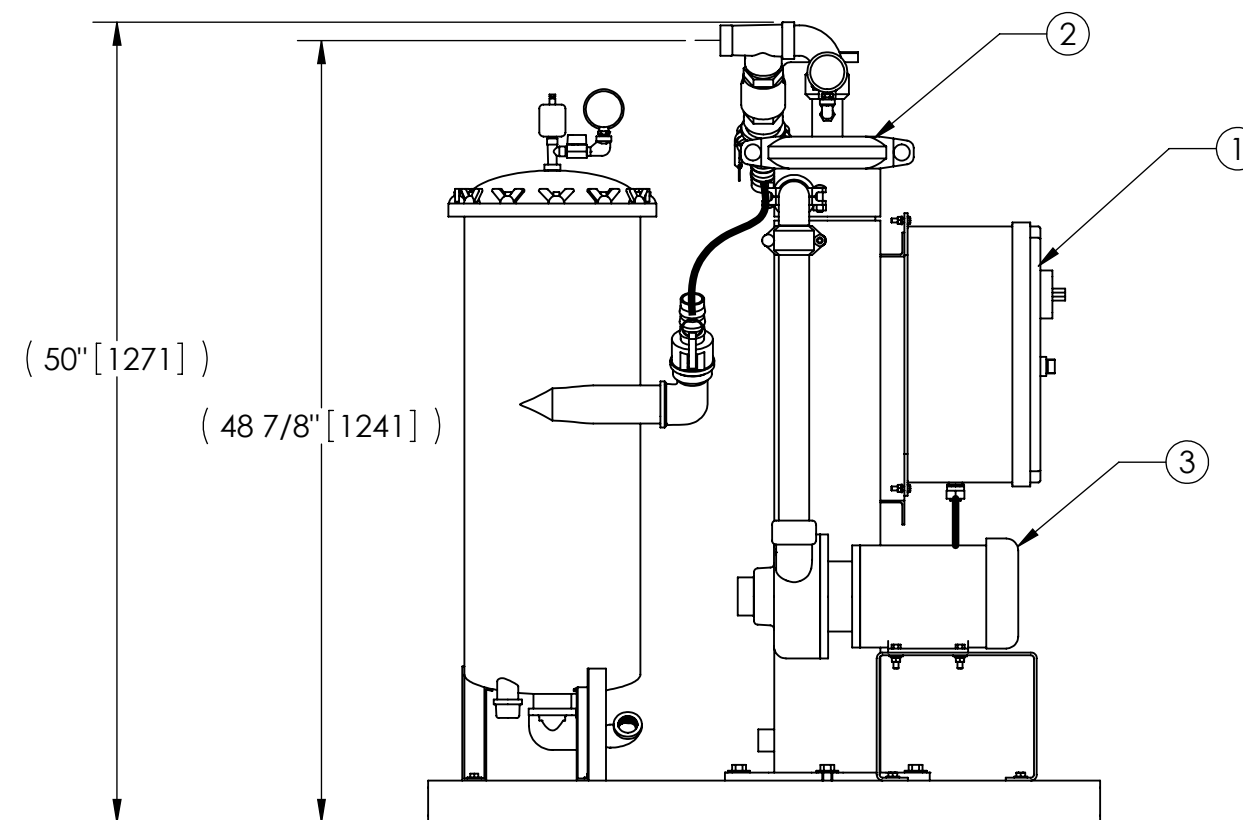
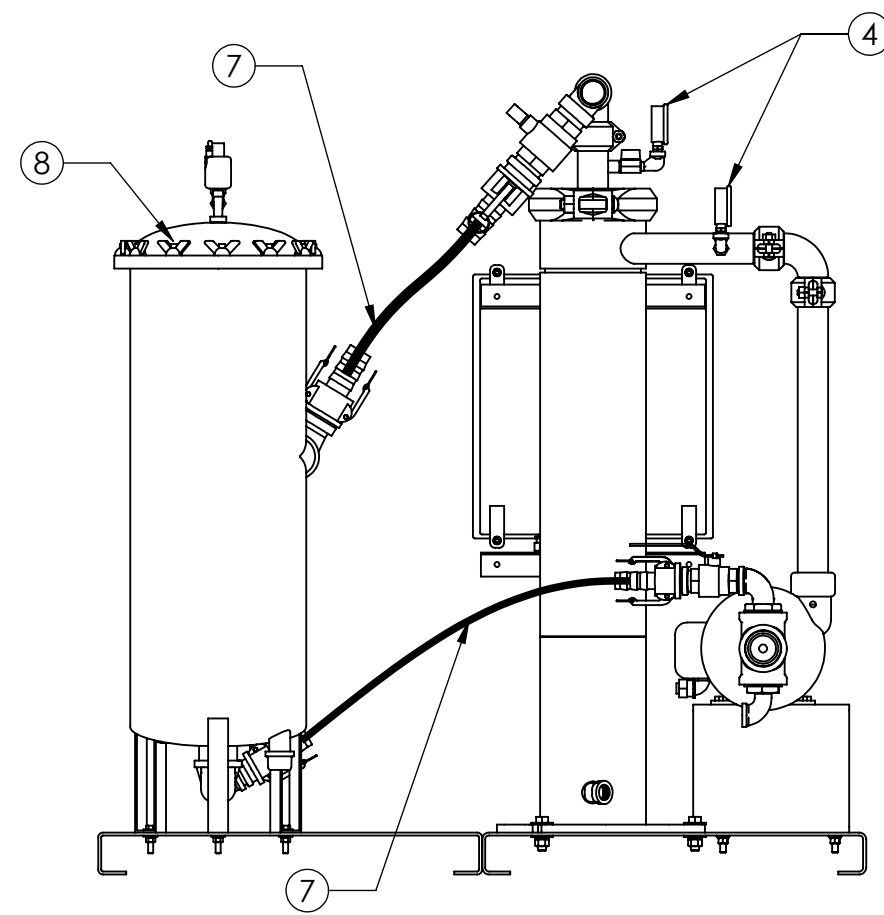
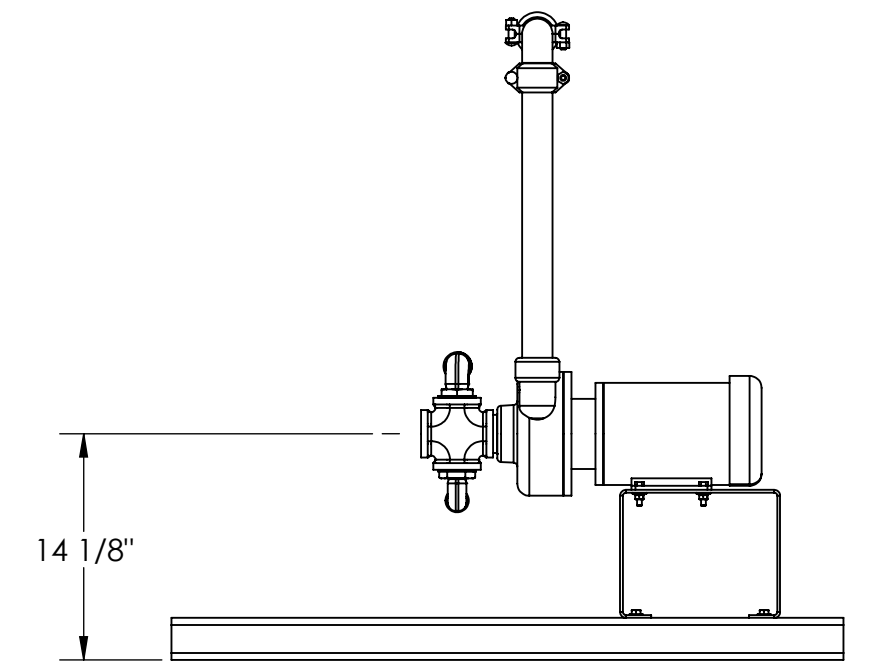
COMPONENT LIST:

- ① ELECTRICAL CONTROL BOX 460V 60Hz W/120V TRANSFORMER.
- ② SEPARATOR: HTX-0038-TC.
- ③ PUMP: 1-1/2 HP CENTRIFUGAL, 3500 rpm, 460V, 60Hz.
- ④ INLET/OUTLET PRESSURE GAUGES: 0-100 psi, GLYCERIN-FILLED.
- ⑤ PURGE EQUIPMENT: SRV-81 6.
- ⑥ DIFFERENTIAL PRESSURE INDICATOR: (AVAILABLE WITH DRY CONTACT-MODEL DHE-15-S. ORDER SEPARATELY).
- ⑦ HOSE ATTACHED IN FIELD WITH QUICK DISCONNECT COUPLINGS.
- ⑧ FILTER VESSEL, 2" HRF-930-MP-2-BL, 304SS.



SUBMITTAL DRAWING

This drawing is submitted for spatial consideration only. Do not pre-plumb to these dimensions.



UNLESS OTHERWISE SPECIFIED: DIMENSIONS ARE IN: INCHES (mm) TOLERANCES ARE: FRACTIONS DECIMALS ANGLES ± 1/2" .XX ± .01 ± 1/4" XXX ± .005 XXXX ± .0005		ENGINEERED FOR: STANDARD		CLAUDE LAVAL CORP. FRESNO, CALIFORNIA 93727 WWW.LAKOS.COM		LAVAL UNDERGROUND SURVEYS	
DO NOT SCALE DRAWING	APPROVALS	DATE	TITLE				
MATERIAL	DRAWN	ENGR	SPX-0065-SRV, TBX SYSTEM HRF-930 VESSEL, SIDESTREAM HTX-0038, 460V 60HZ PLUS				
FINISH	MFG	WORK ORDER	SIZE	MODEL NO.	DWG NO.	REV.	
AS ASSEMBLED			C		123470	01	
			SCALE	EST. WT.	SHEET		
			1:12	632 lb	1 OF 1		

DWG. NO. 123470
SHEET 1
REV. 01