

EXCEPT AS OTHERWISE PROVIDED BY CONTRACT, THIS DRAWING AND SPECIFICATIONS SHALL NOT BE REPRODUCED, COPIED OR USED AS THE BASIS FOR MANUFACTURE OR SALE OF MATTER DEPICTED HEREIN WITHOUT THE EXPRESSED WRITTEN PERMISSION OF THE CLAUDE LAVAL CORPORATION, OR ITS ASSIGNEES.

THIS DRAWING HAS BEEN GENERATED AND IS MAINTAINED BY A CAD SYSTEM. CHANGES SHALL ONLY BE INCORPORATED AS DIRECTED BY AN APPROVED ENGINEERING CHANGE ORDER (ECO). PAPER COPIES ARE UNCONTROLLED.

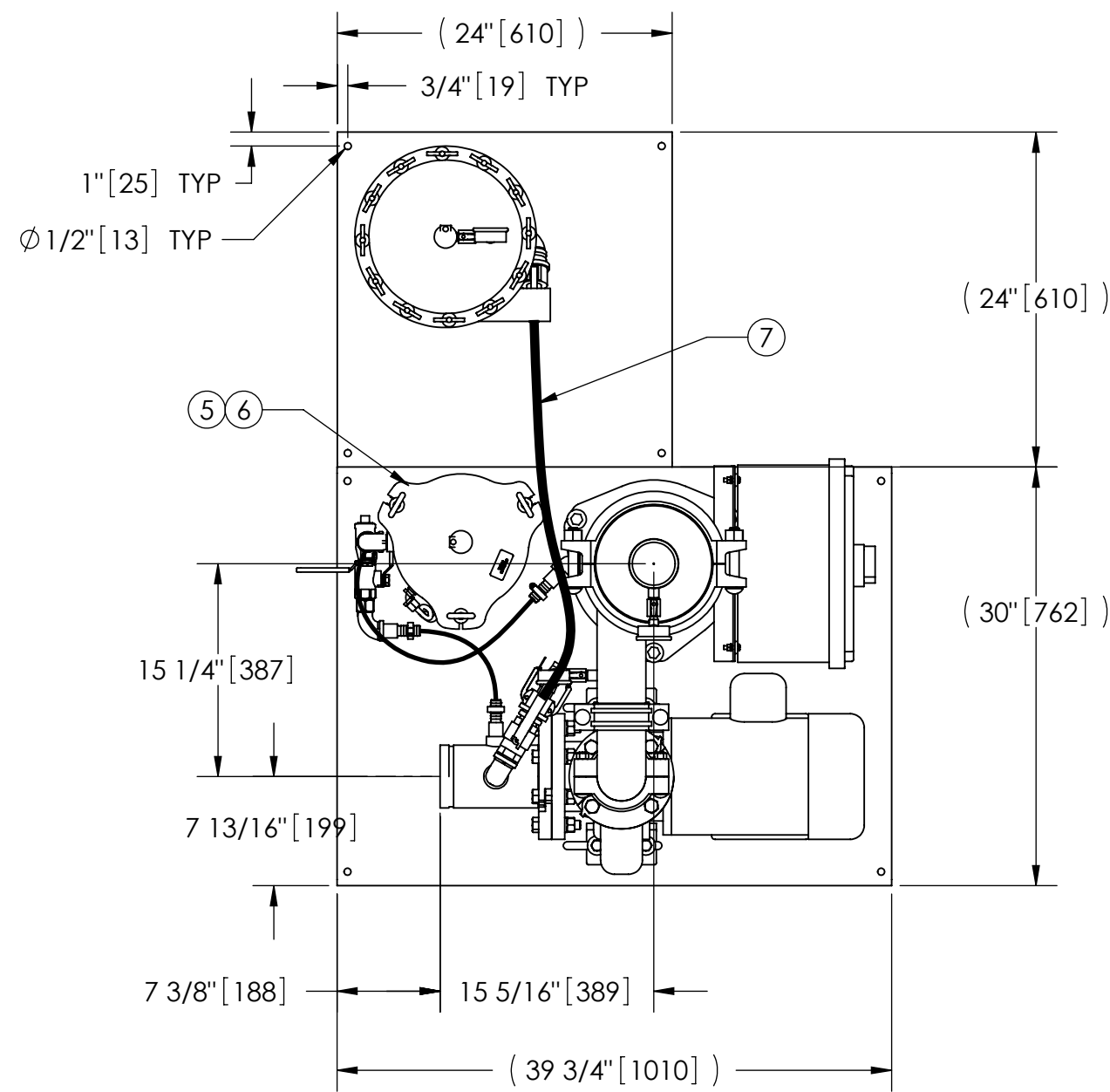
REVISION HISTORY				
ZONE	REV	DESCRIPTION	DATE	APPROVED

NOTES:

1. INLET IS 3" PIPE (150# ANSI FLANGED).
2. OUTLET IS 3" PIPE (GROOVED).
3. PURGE OUTLET IS 3/4" PIPE.
4. MAXIMUM PRESSURE: 150 psi (10.3 bar).
5. MAXIMUM TEMPERATURE: 100°F (37.8°C).
6. SPECIFIED FLOWRATE OF 200 gpm (45 m³/hr).
7. FINISH: AS ASSEMBLED.
8. POWER REQUIREMENT: 460V, 3PH, 60Hz.
9. NEMA 4X MOTOR STARTER ENCLOSURE WITH SAFETY DISCONNECT AND H.O.A. SWITCH.
10. APPROXIMATE DRY WEIGHT: 1006 lbs (456 kg).
11. INLET/OUTLET VALVE KIT, MODEL TCV-0200-PLUS RECOMMENDED.
12. MINIMUM PIPE TO SP SYSTEM IS 4" PIPE.
13. FLOODED SUCTION REQUIRED.

COMPONENT LIST:

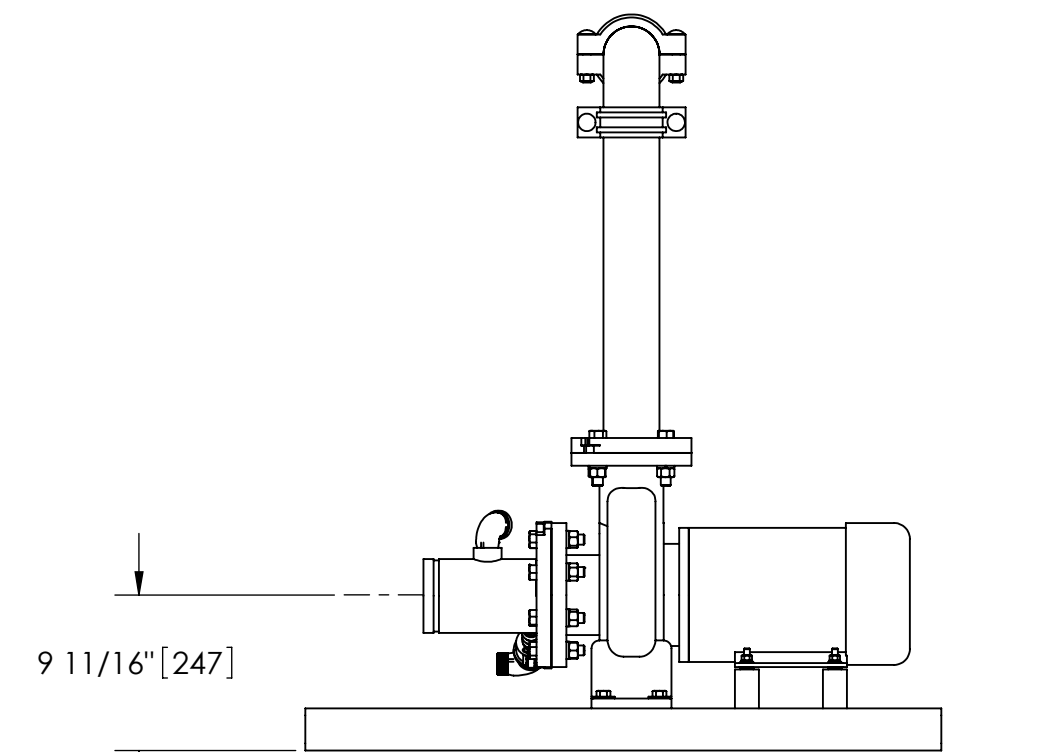
- 1 ELECTRICAL CONTROL BOX 460V 60Hz W/120V TRANSFORMER.
- 2 SEPARATOR: HTX-0130-TC.
- 3 PUMP: 5 HP CENTRIFUGAL, 1750 rpm, 460V, 60Hz.
- 4 INLET/OUTLET PRESSURE GAUGES: 0-100 psi, GLYCERIN-FILLED.
- 5 PURGE EQUIPMENT: SRV-816.
- 6 DIFFERENTIAL PRESSURE INDICATOR: (AVAILABLE WITH DRY DRY CONTACT-MODEL DHE-15-S. ORDER SEPARATELY).
- 7 HOSE ATTACHED IN FIELD WITH QUICK DISCONNECT COUPLINGS.
- 8 FILTER VESSEL, 2" HRF-930-MP-2-BL, 304SS.



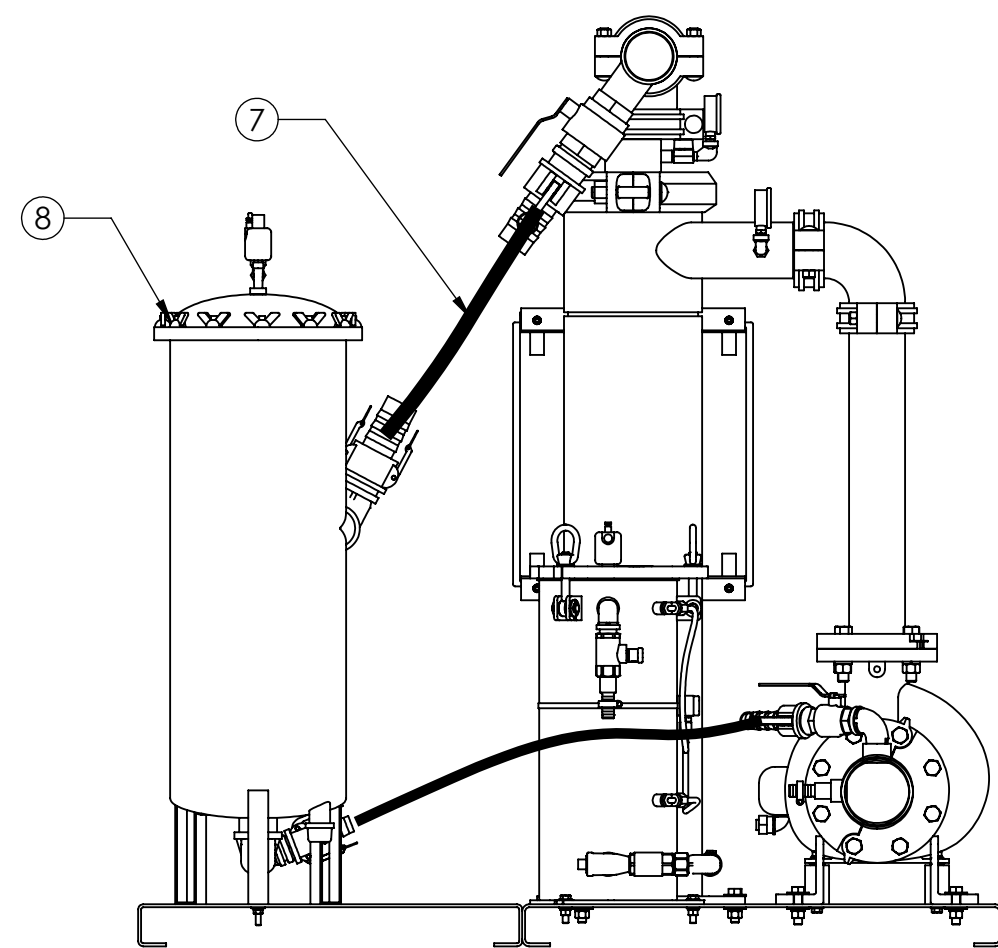
TOP VIEW

SUBMITTAL DRAWING

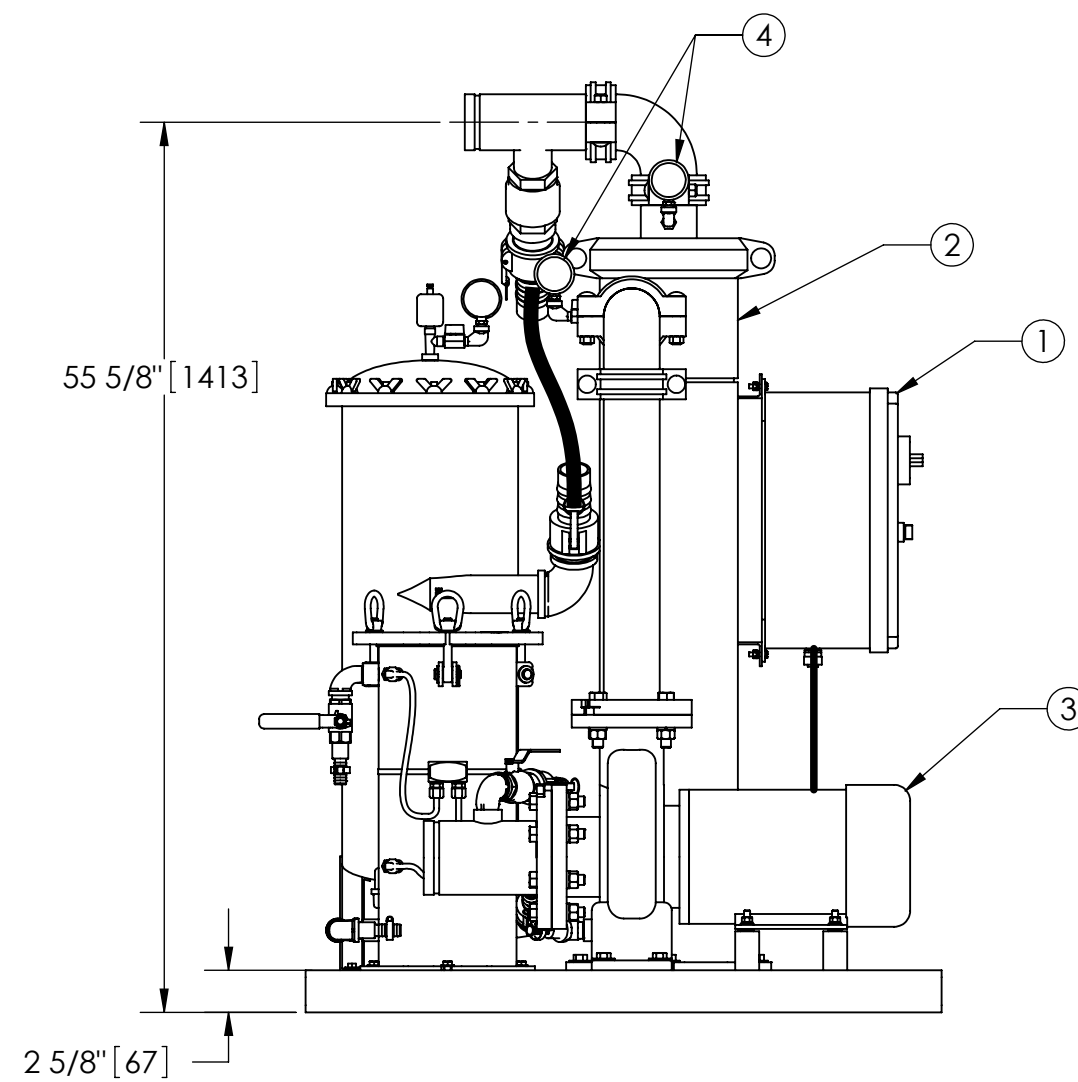
This drawing is submitted for spatial consideration only. Do not pre-plumb to these dimensions.



FRONT VIEW PUMP/SPOOL



SIDE VIEW W/O SRV



FRONT VIEW W/O SPOOL/SRV

UNLESS OTHERWISE SPECIFIED: DIMENSIONS ARE IN: INCHES (mm) TOLERANCES ARE: FRACTIONS DECIMALS ANGLES ± 1/2" .XX ± .01 ± 1/4" XXX ± .005 XXXX ± .0005		ENGINEERED FOR: STANDARD		LAKOS. CLAUDE LAVAL CORP. FRESNO, CALIFORNIA 93727 WWW.LAKOS.COM	
DO NOT SCALE DRAWING	APPROVALS	DATE	TITLE SPX-0200-SRV, TBX SYSTEM HRF-930 VESSEL, SIDESTREAM HTX-0130, 460V 60HZ PLUS		
MATERIAL PER LAKOS SPEC	DRAWN DLW	2/14/04	ENGR HSK	9/14/05	SIZE C
FINISH AS ASSEMBLED	MFG -	-	WORK ORDER	QTY.	MODEL NO. DWG NO. 123473
SCALE 1:12		EST. WT. 1006 lb	SHEET 1 OF 1		

DWG NO. 123473  
SHEET 1  
REV. 01