

EXCEPT AS OTHERWISE PROVIDED BY CONTRACT, THIS DRAWING AND SPECIFICATIONS SHALL NOT BE REPRODUCED, COPIED OR USED AS THE BASIS FOR MANUFACTURE OR SALE OF MATTER DEPICTED HEREIN WITHOUT THE EXPRESSED WRITTEN PERMISSION OF THE CLAUDE LAVAL CORPORATION, OR ITS ASSIGNEES.

**NOTES:**

1. INLET IS 6" PIPE (150# ANSI FLANGED).
2. OUTLET IS 4" PIPE (GROOVED).
3. PURGE OUTLET IS 1-1/2" PIPE.
4. MAXIMUM PRESSURE: 150 psi (10.3 bar).
5. MAXIMUM TEMPERATURE: 100°F (37.8°C).
6. SPECIFIED FLOWRATE OF 400 gpm (91 m³/hr).
7. FINISH: AS ASSEMBLED.
8. POWER REQUIREMENT: 460V, 3PH, 60Hz.
9. NEMA 4X MOTOR STARTER ENCLOSURE WITH SAFETY DISCONNECT AND H.O.A. SWITCH.
10. APPROXIMATE DRY WEIGHT: 1212 lbs (550 kg).
11. INLET/OUTLET VALVE KIT, MODEL TCV-0400-PLUS RECOMMENDED.
12. MINIMUM PIPE TO SP SYSTEM IS 6" PIPE.
13. FLOODED SUCTION REQUIRED.

**COMPONENT LIST:**

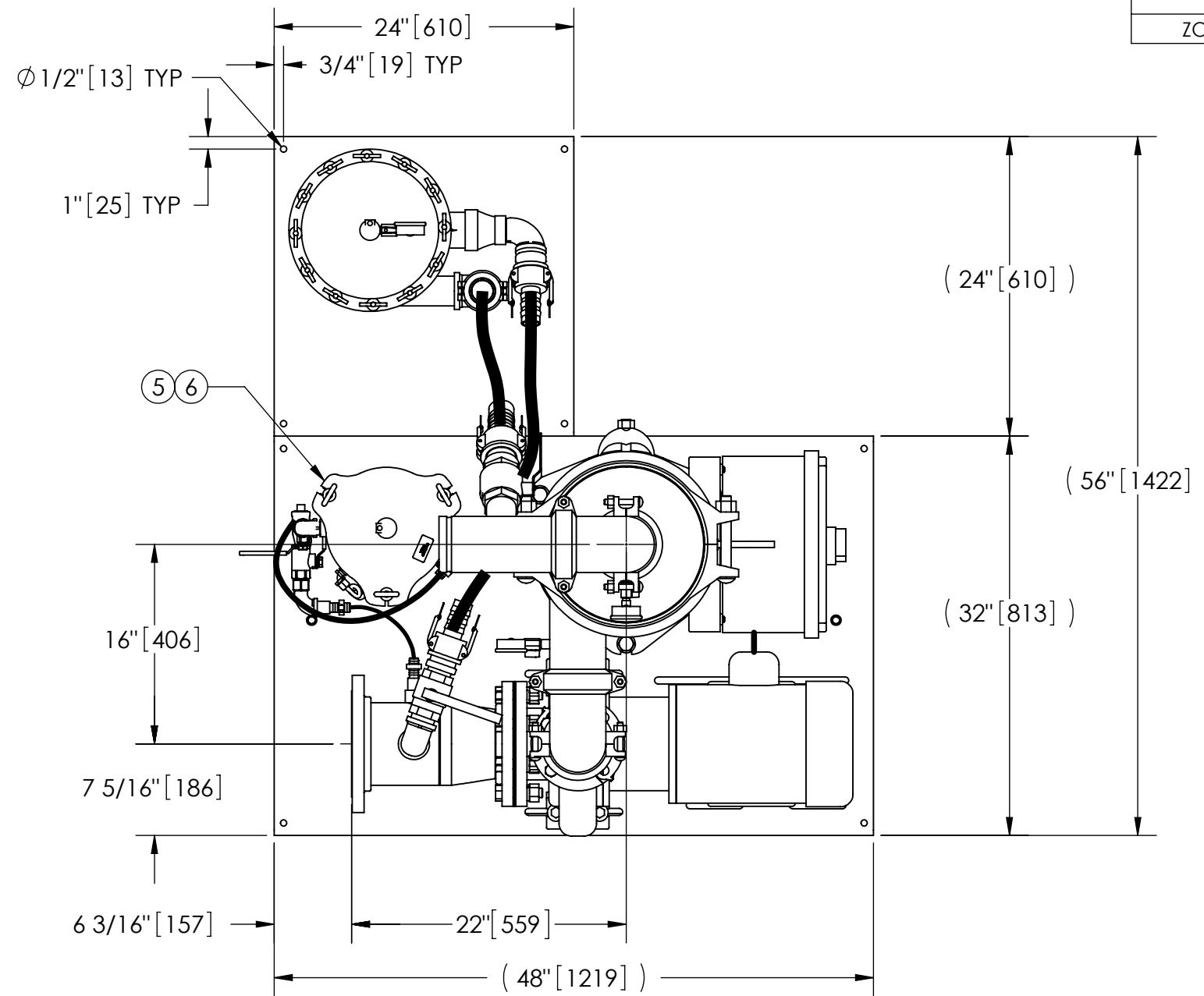
- ① ELECTRICAL CONTROL BOX 460V 60Hz W/120V TRANSFORMER.
- ② SEPARATOR: HTX-0285-TC.
- ③ PUMP: 7.5 HP CENTRIFUGAL, 1750 rpm, 460V, 60Hz.
- ④ INLET/OUTLET PRESSURE GAUGES: 0-100 psi, GLYCERIN-FILLED.
- ⑤ PURGE EQUIPMENT: SRV-816.
- ⑥ DIFFERENTIAL PRESSURE INDICATOR:  
(AVAILABLE WITH DRY CONTACT-MODEL DHE-15-S. ORDER SEPARATELY).
- ⑦ HOSE ATTACHED IN FIELD WITH QUICK DISCONNECT COUPLINGS.
- ⑧ FILTER VESSEL 2", HRF-930-MP-2BL, 316 SS.

REVISION HISTORY				
ZONE	REV	DESCRIPTION	DATE	APPROVED

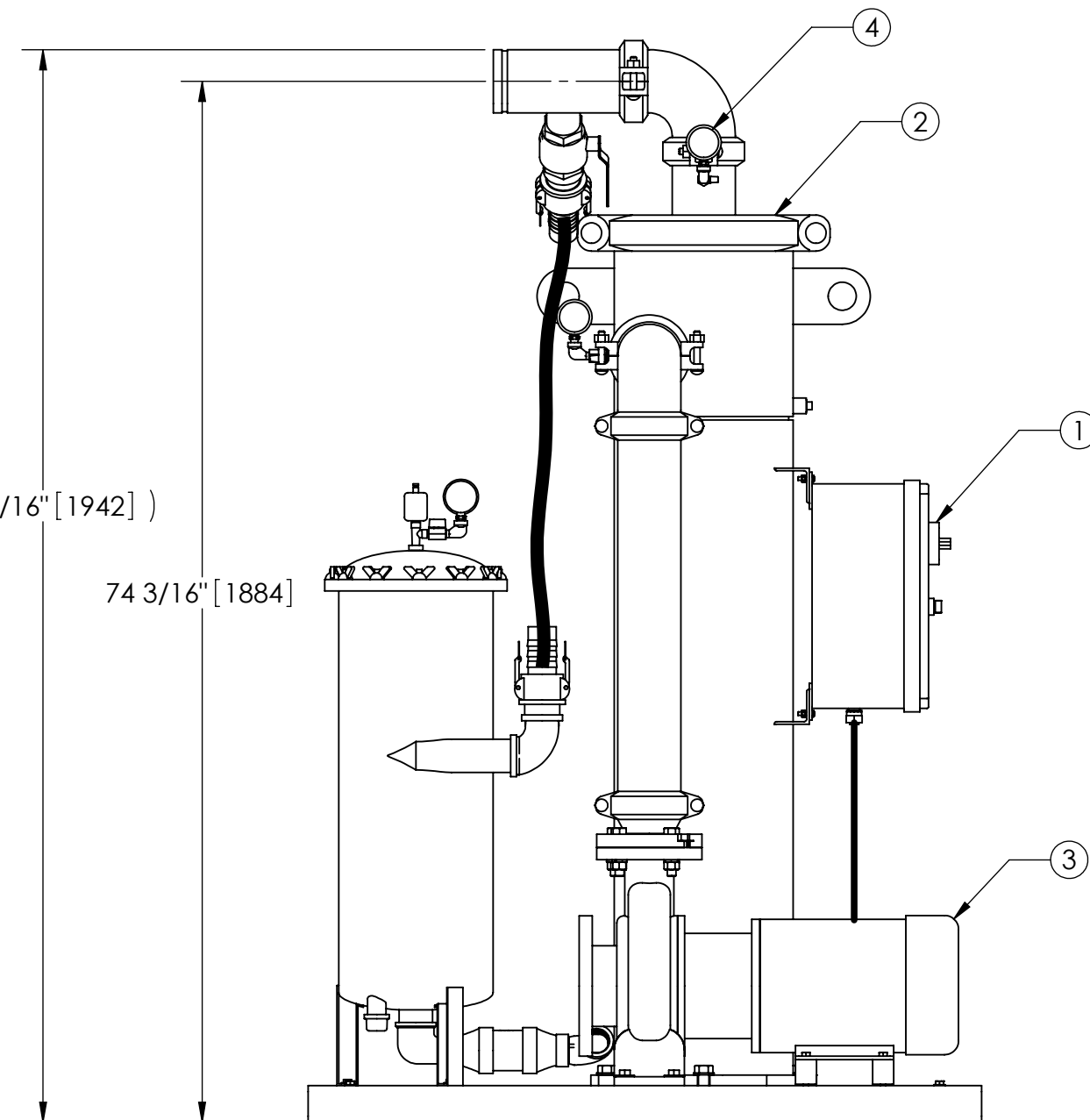
THIS DRAWING HAS BEEN GENERATED AND IS MAINTAINED BY A CAD SYSTEM. CHANGES SHALL ONLY BE INCORPORATED AS DIRECTED BY AN APPROVED ENGINEERING CHANGE ORDER (ECO). PAPER COPIES ARE UNCONTROLLED.

**SUBMITTAL DRAWING**

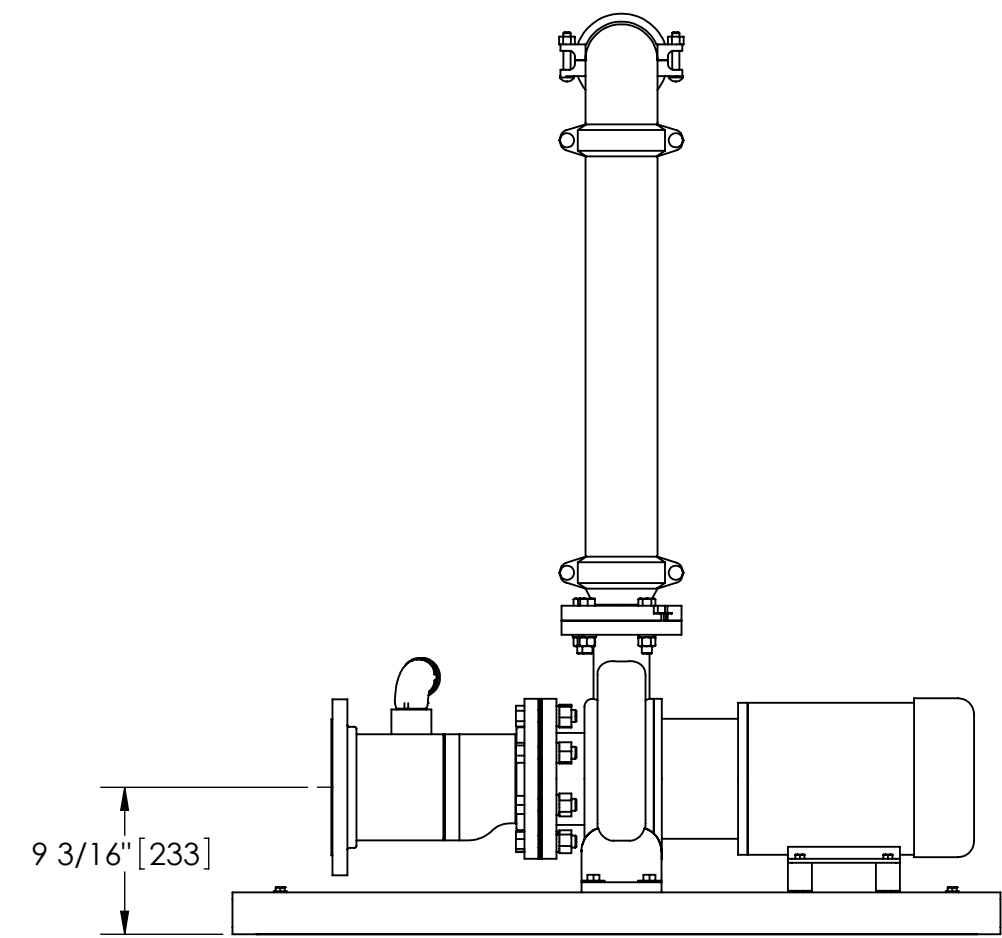
This drawing is submitted for spatial consideration only. Do not pre-plumb to these dimensions.



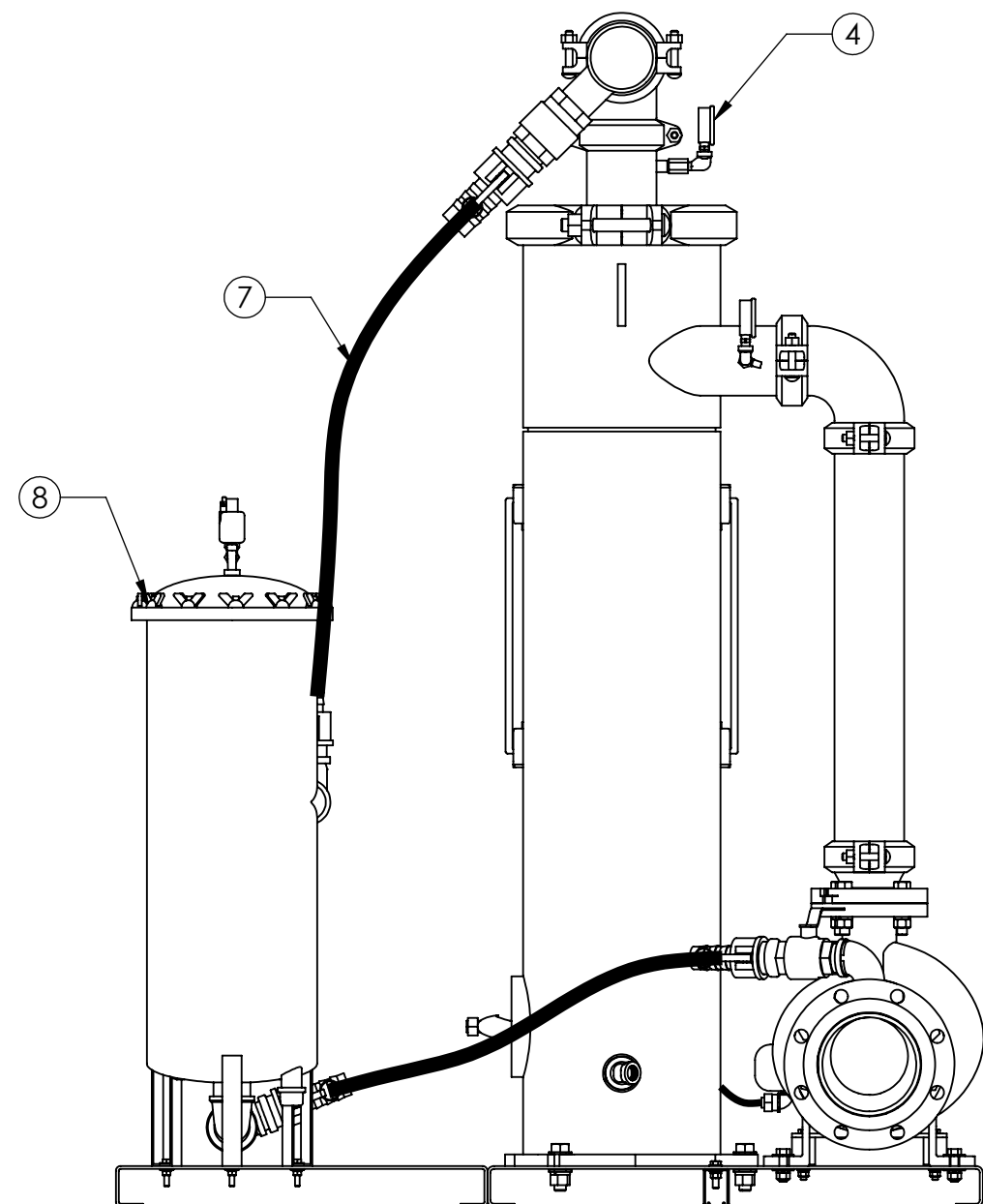
**TOP VIEW**



**FRONT VIEW W/O SPOOL/SRV**



**FRONT VIEW PUMP/SPOOL**



**SIDE VIEW W/O SRV**

SEE PAGE 2 FOR ADDITIONAL VIEWS

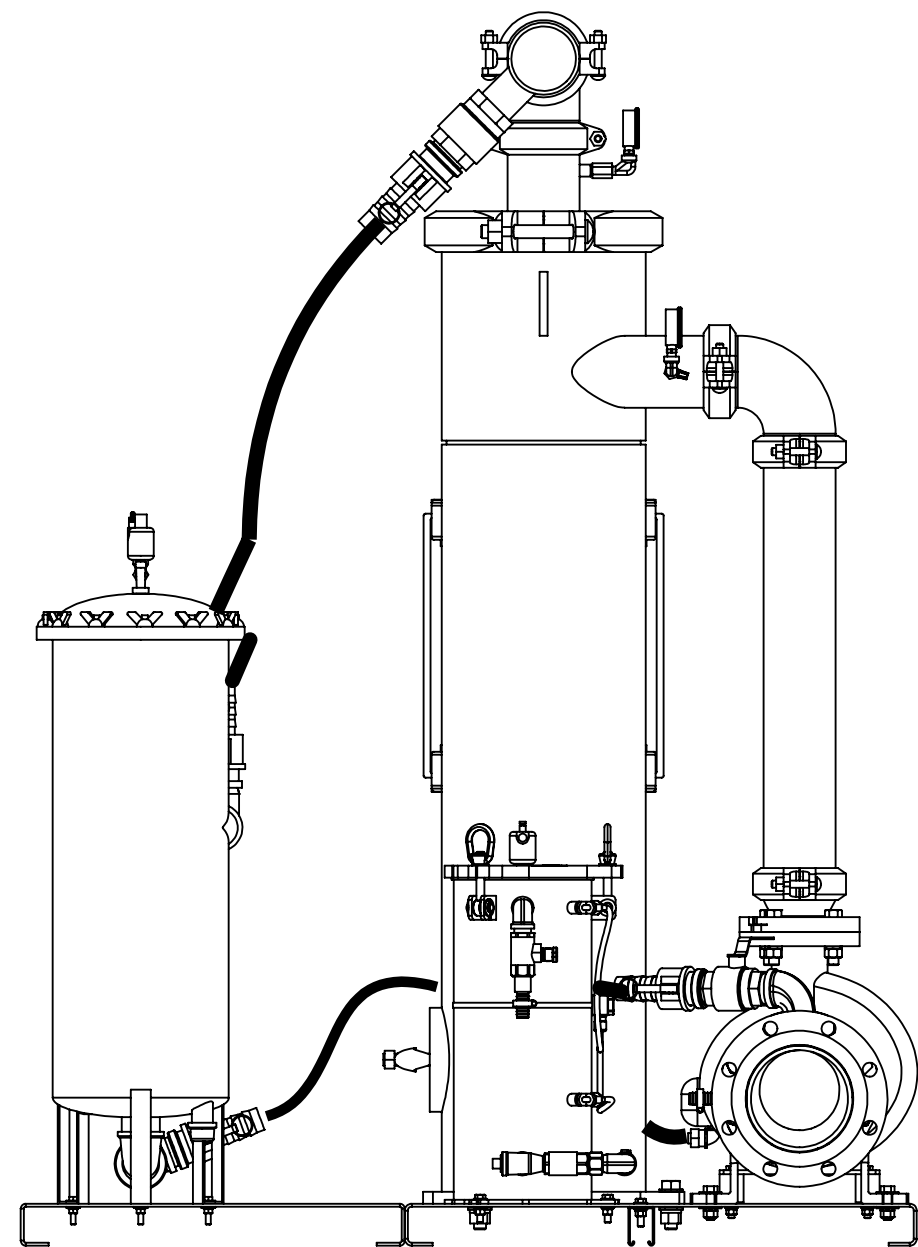
UNLESS OTHERWISE SPECIFIED: DIMENSIONS ARE IN: INCHES (mm) TOLERANCES ARE: FRACTIONS .XX ± .01 DECIMALS .XXX ± .005 ANGLES ± 1/4° XXX ± .005 XXXX ± .0005		ENGINEERED FOR: <b>STANDARD</b>		CLAUDE LAVAL CORP. FRESNO, CALIFORNIA 93727 WWW.LAKOS.COM		LAVAL UNDERGROUND SURVEYS	
DO NOT SCALE DRAWING		APPROVALS	DATE	TITLE SPX-0400-SRV, TBX SYSTEM HRF-930 VESSEL, SIDESTREAM HTX-0285, 460V 60HZ PLUS			
MATERIAL	PER LAKOS SPEC	DRAWN	DLW	12/1/04	SIZE	MODEL NO.	DWG NO.
FINISH	AS ASSEMBLED	ENGR	HSK	11/18/05	C		123475
		MFG	-	-	SCALE	1:12	EST. WT.
		WORK ORDER		QTY.			1212 lb
							SHEET
							1 OF 2

DWG NO. 123475  
SHEET 1  
REV. 01

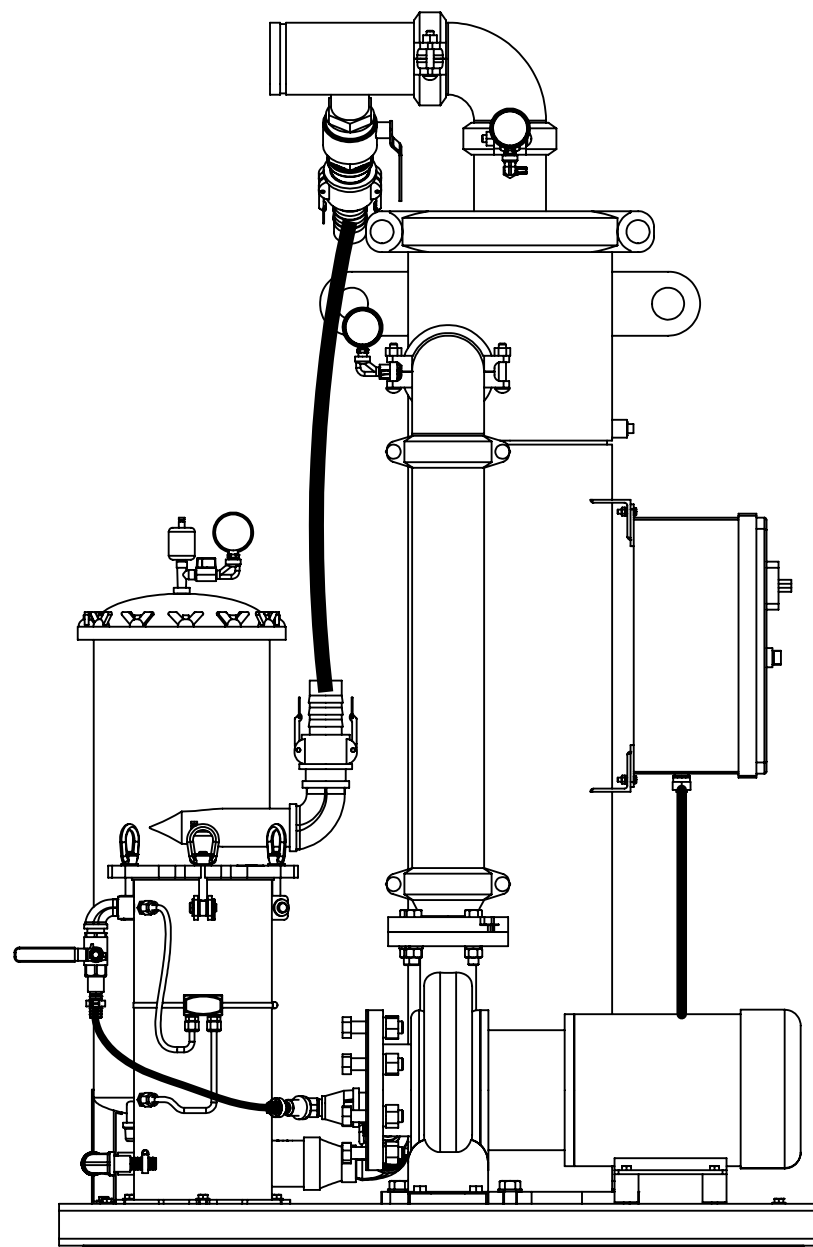
EXCEPT AS OTHERWISE PROVIDED BY CONTRACT, THIS DRAWING AND SPECIFICATIONS SHALL NOT BE REPRODUCED, COPIED OR USED AS THE BASIS FOR MANUFACTURE OR SALE OF MATTER DEPICTED HEREIN WITHOUT THE EXPRESSED WRITTEN PERMISSION OF THE CLAUDE LAVAL CORPORATION, OR ITS ASSIGNEES.

# SUBMITTAL DRAWING

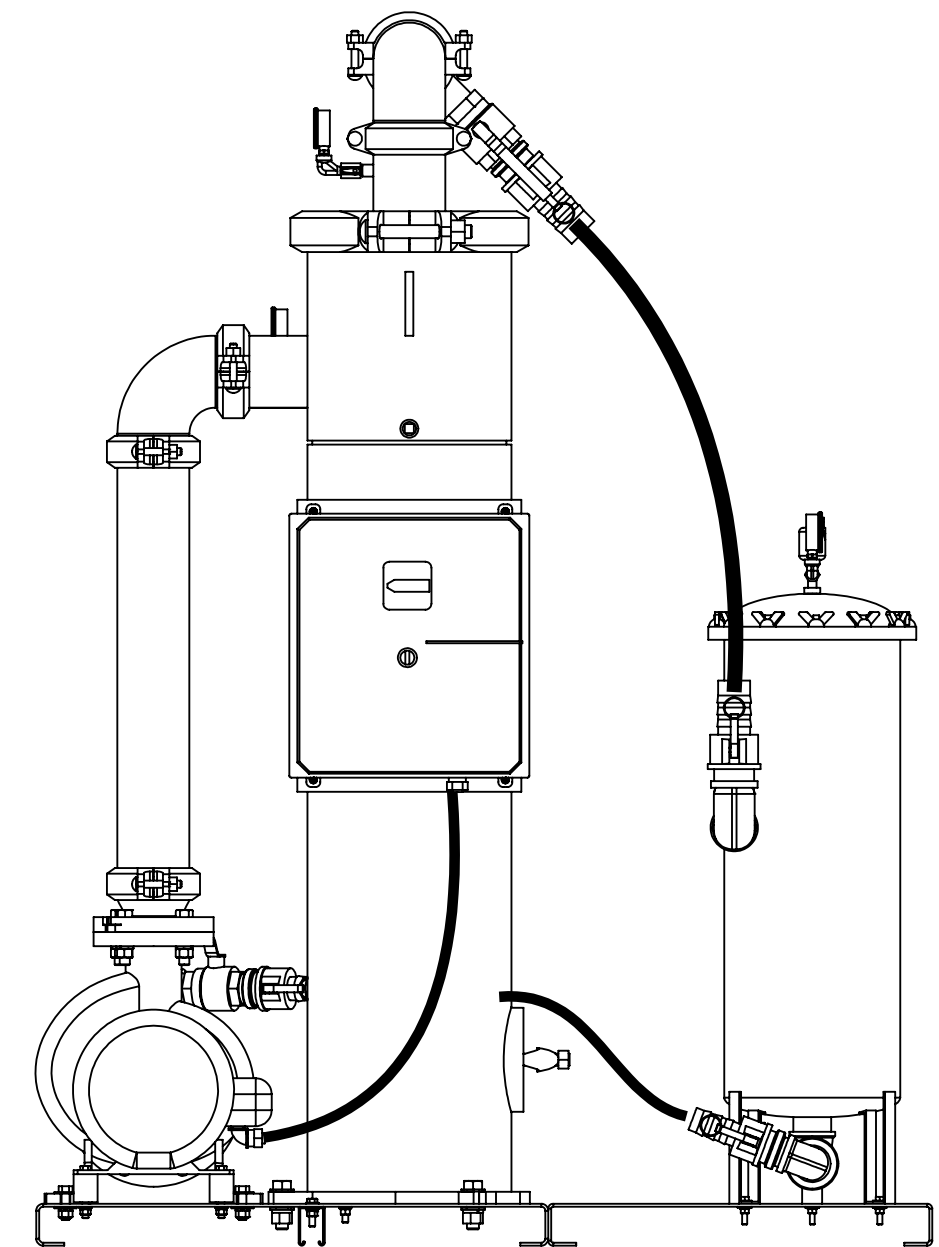
This drawing is submitted for spatial consideration only. Do not pre-plumb to these dimensions.





SIDE VIEW SHOWING SRV



FRONT VIEW WITH SRV, W/O SPOOL



END VIEW

UNLESS OTHERWISE SPECIFIED: DIMENSIONS ARE IN: INCHES (mm) TOLERANCES ARE: FRACTIONS    DECIMALS    ANGLES ±                .XX ± .01                ± 1/4° .XXX ± .005 .XXXX ± .0005		ENGINEERED FOR: <b>STANDARD</b>		 CLAUDE LAVAL CORP. FRESNO, CALIFORNIA 93727 WWW.LAKOS.COM		 LAVAL UNDERGROUND SURVEYS	
DO NOT SCALE DRAWING		APPROVALS	DATE	TITLE			
MATERIAL PER LAKOS SPEC		DRAWN DLW	12/1/04	SPX-0400-SRV, TBX SYSTEM HRF-930 VESSEL, SIDESTREAM HTX-0285, 460V 60HZ PLUS			
FINISH AS ASSEMBLED		ENGR		SIZE C	MODEL NO.	DWG NO. 123475	REV. 01
		WORK ORDER	QTY.	SCALE 1:16	EST. WT. 1212 lb	SHEET 2 OF 2	

DWG. NO. 123475  
SHEET 1  
REV. 01