

EXCEPT AS OTHERWISE PROVIDED BY CONTRACT, THIS DRAWING AND SPECIFICATIONS SHALL NOT BE REPRODUCED, COPIED OR USED AS THE BASIS FOR MANUFACTURE OR SALE OF MATTER DEPICTED HEREIN WITHOUT THE EXPRESSED WRITTEN PERMISSION OF THE CLAUDE LAVAL CORPORATION, OR ITS ASSIGNEES.

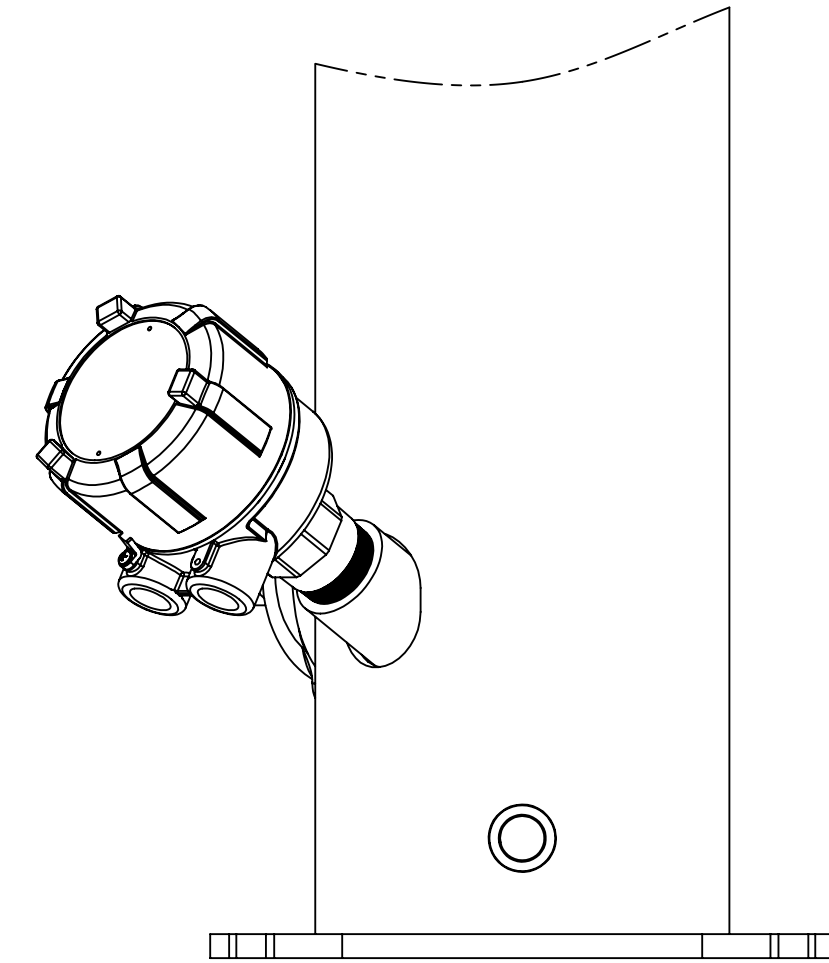
NOTES:

1. INLET & OUTLET FLANGES ARE 2" 150# RF PER ANSI B16.5 REQUIRING 4X  $\phi$  5/8" BOLTS. (BOLTS AND GASKETS NOT INCLUDED)
2. MAXIMUM PRESSURE: 250 psi (17.24 bar).
3. MAXIMUM TEMPERATURE: 230°F (110°C).
4. PRESSURE LOSS: 5-18 psid (.34-1.24 bar) AT RATED FLOW.
5. RATED FLOW: 80-150 gpm (18.2-34.0 m<sup>3</sup>/hr).
6. APPROXIMATE DRY WEIGHT: 228 lb (101 kg).
7. FINISH: LAKOS BLUE (EXTERIOR ONLY).

REVISION HISTORY				
ZONE	REV	DESCRIPTION	DATE	APPROVED

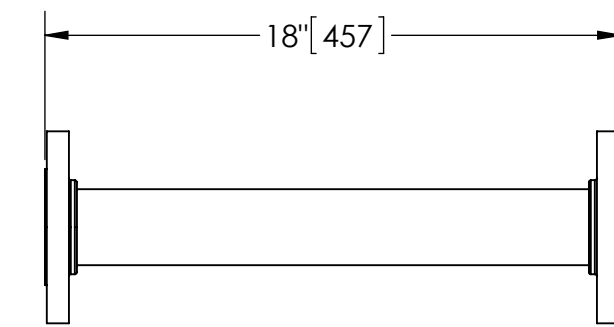
### SUBMITTAL DRAWING

This drawing is submitted for spatial consideration only. Do not pre-plumb to these dimensions.



### OPTIONAL SMART PURGE

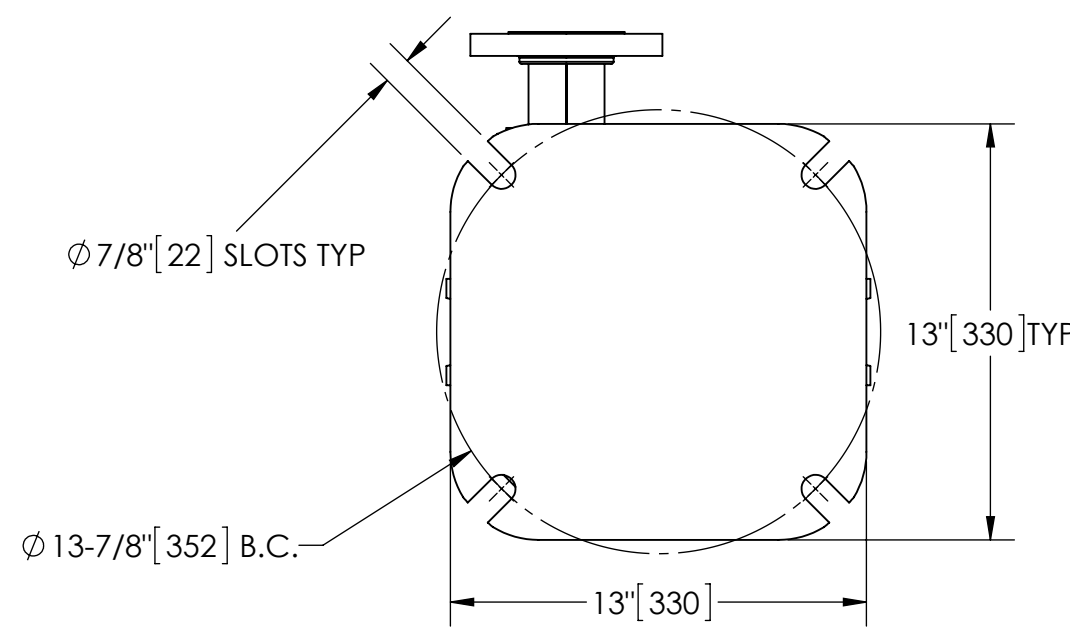
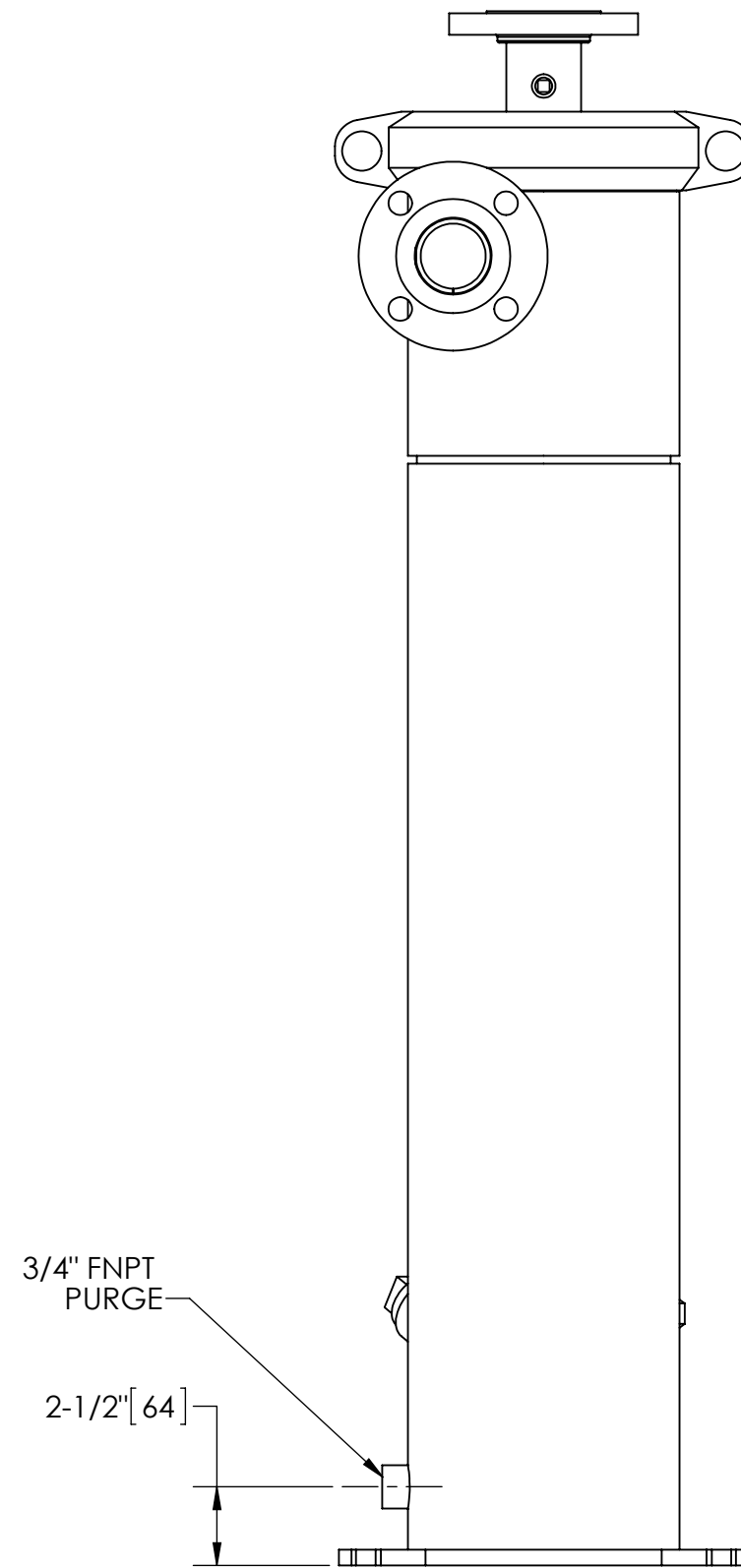
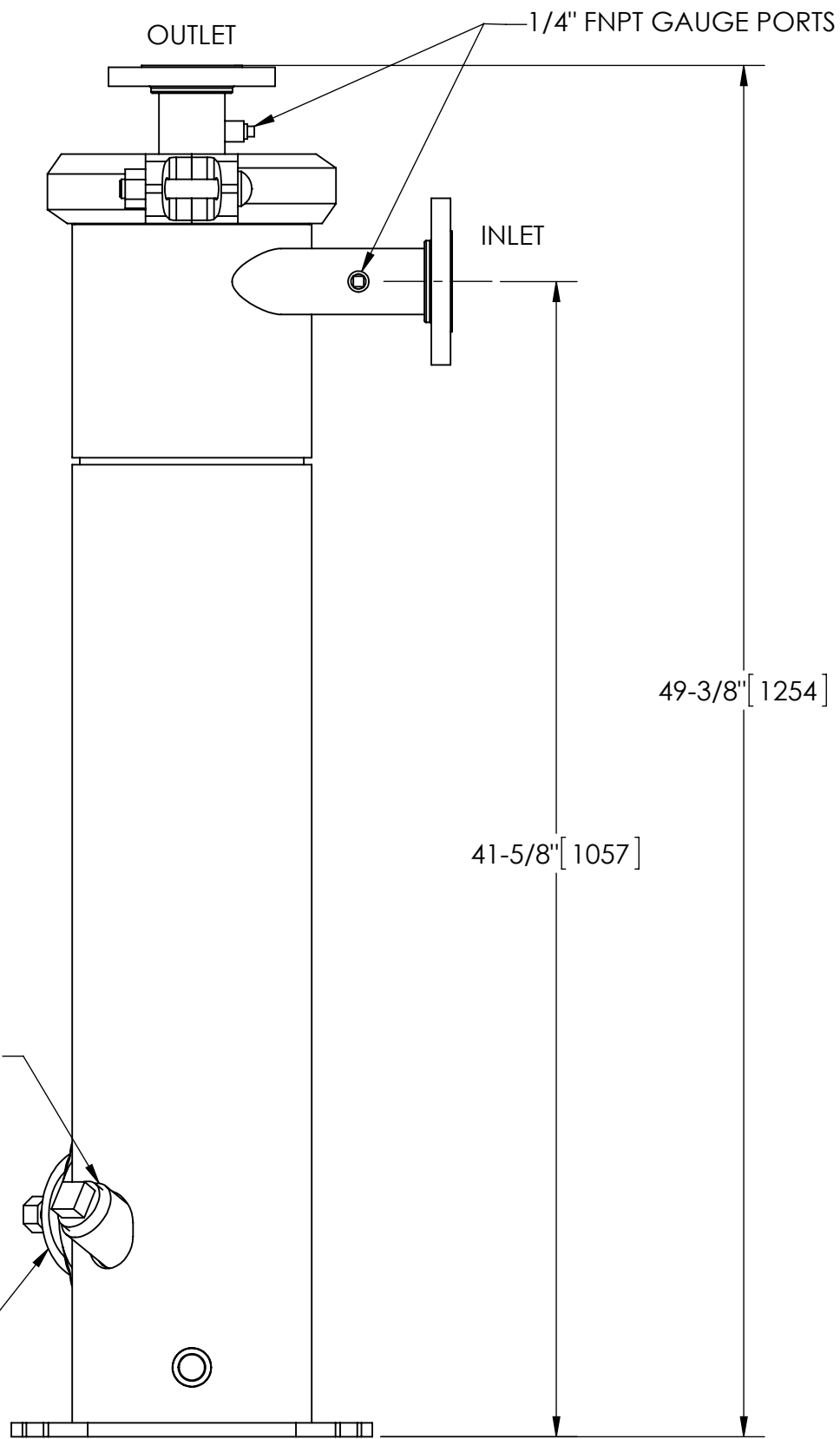
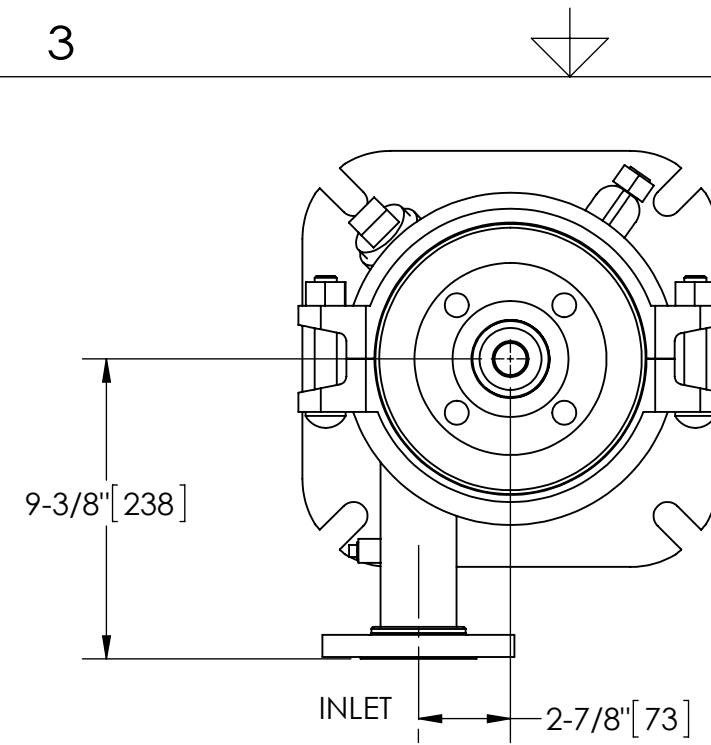
UNIT SHOWN WITH OPTIONAL SMART PURGE ASSEMBLY INSTALLED (ORDER SEPARATELY)



### OPTIONAL FLANGED SPOOL

MODEL FS-02 (AVAILABLE SEPARATELY) REQUIRED FOR REMOVAL OF TOP ASSEMBLY

UNLESS OTHERWISE SPECIFIED: DIMENSIONS ARE IN: INCHES [mm] TOLERANCES ARE: FRACTIONS DECIMALS ANGLES $\pm 1/2"$ .XX $\pm .01$ $\pm 1/4"$ XXX $\pm .005$ XXXX $\pm .0005$		ENGINEERED FOR: <b>STANDARD</b>		<b>LAKOS</b> CLAUDE LAVAL CORP. FRESNO, CALIFORNIA 93727 WWW.LAKOS.COM	
DO NOT SCALE DRAWING		APPROVALS	DATE	TITLE	
MATERIAL CLASS P-1 MILD CARBON STEEL		DRAWN Cag	9/30/14	eJPX-0080-V, SEPARATOR 0080 eJPX VERTICAL, CARBON STEEL	
FINISH LAKOS BLUE		ENGR -	-	SIZE C	MODEL NO.
		WORK ORDER	QTY.	DWG NO. 137160	REV. 01
				SCALE 1:6	EST. WT. 228 lb SHEET 1 OF 1



THIS DRAWING HAS BEEN GENERATED AND IS MAINTAINED BY A CAD SYSTEM. CHANGES SHALL ONLY BE INCORPORATED AS DIRECTED BY AN APPROVED ENGINEERING CHANGE ORDER (ECO). PAPER COPIES ARE UNCONTROLLED.

DWG NO. 137160 SHEET REV. 01