

EXCEPT AS OTHERWISE PROVIDED BY CONTRACT, THIS DRAWING AND SPECIFICATIONS SHALL NOT BE REPRODUCED, COPIED OR USED AS THE BASIS FOR MANUFACTURE OR SALE OF MATTER DEPICTED HEREIN WITHOUT THE EXPRESSED WRITTEN PERMISSION OF THE CLAUDE LAVAL CORPORATION, OR ITS ASSIGNEES.

NOTES:

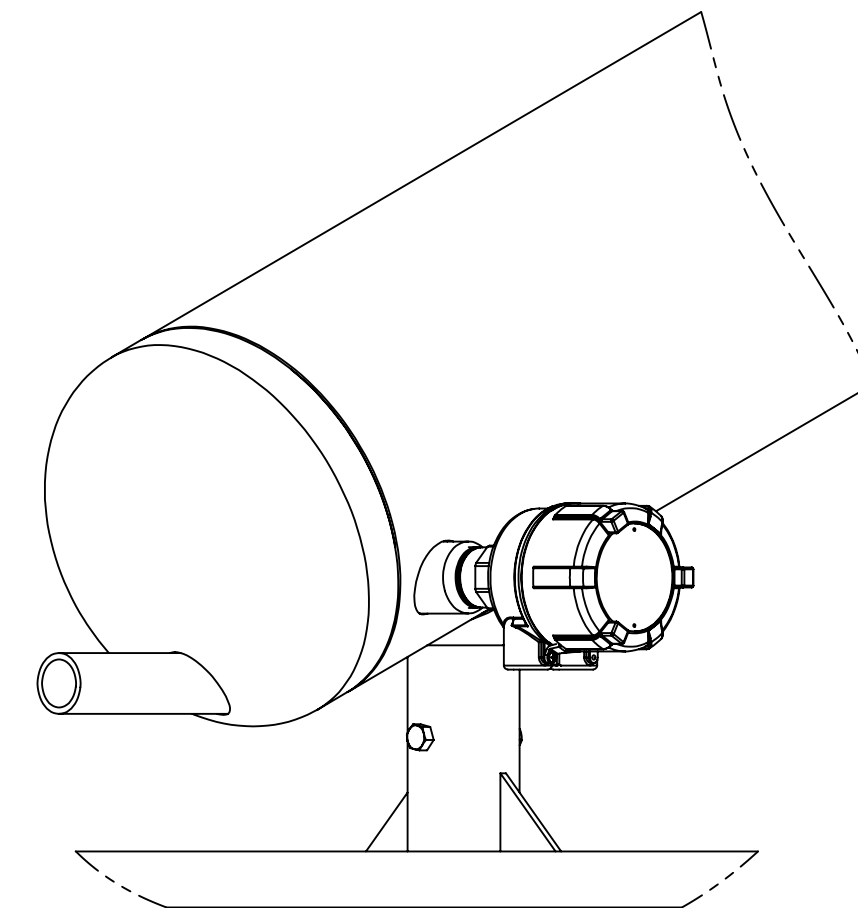
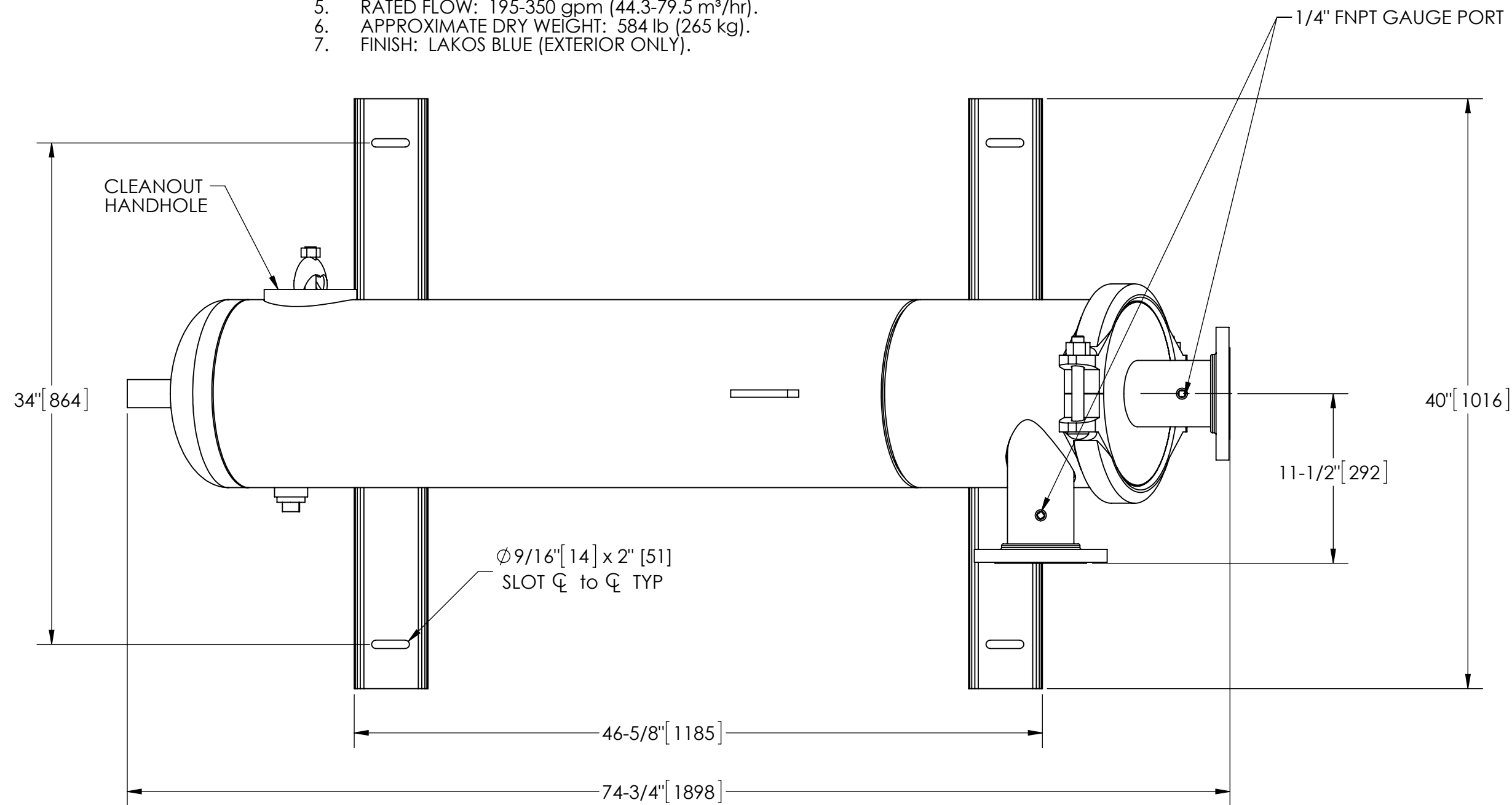
1. INLET & OUTLET FLANGES ARE 4" 150# RF PER ANSI B16.5 REQUIRING 8X Ø5/8" BOLTS (BOLTS AND GASKETS NOT INCLUDED)
2. MAXIMUM PRESSURE: 250 psi (17.24 bar).
3. MAXIMUM TEMPERATURE: 230°F (110°C).
4. PRESSURE LOSS: 5-18 psid (0.34-1.24 bar) AT RATED FLOW.
5. RATED FLOW: 195-350 gpm (44.3-79.5 m³/hr).
6. APPROXIMATE DRY WEIGHT: 584 lb (265 kg).
7. FINISH: LAKOS BLUE (EXTERIOR ONLY).

THIS DRAWING HAS BEEN GENERATED AND IS MAINTAINED BY A CAD SYSTEM. CHANGES SHALL ONLY BE INCORPORATED AS DIRECTED BY AN APPROVED ENGINEERING CHANGE ORDER (ECO). PAPER COPIES ARE UNCONTROLLED.

REVISION HISTORY				
ZONE	REV	DESCRIPTION	DATE	APPROVED

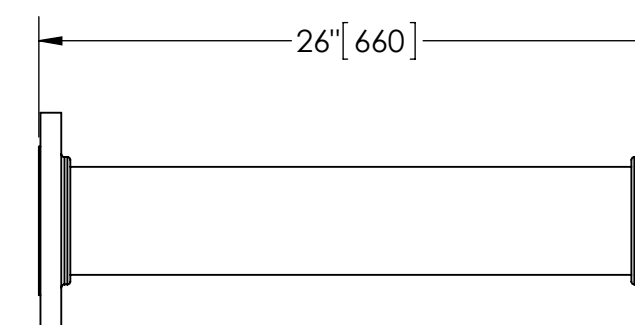
SUBMITTAL DRAWING

This drawing is submitted for spatial consideration only. Do not pre-plumb to these dimensions.



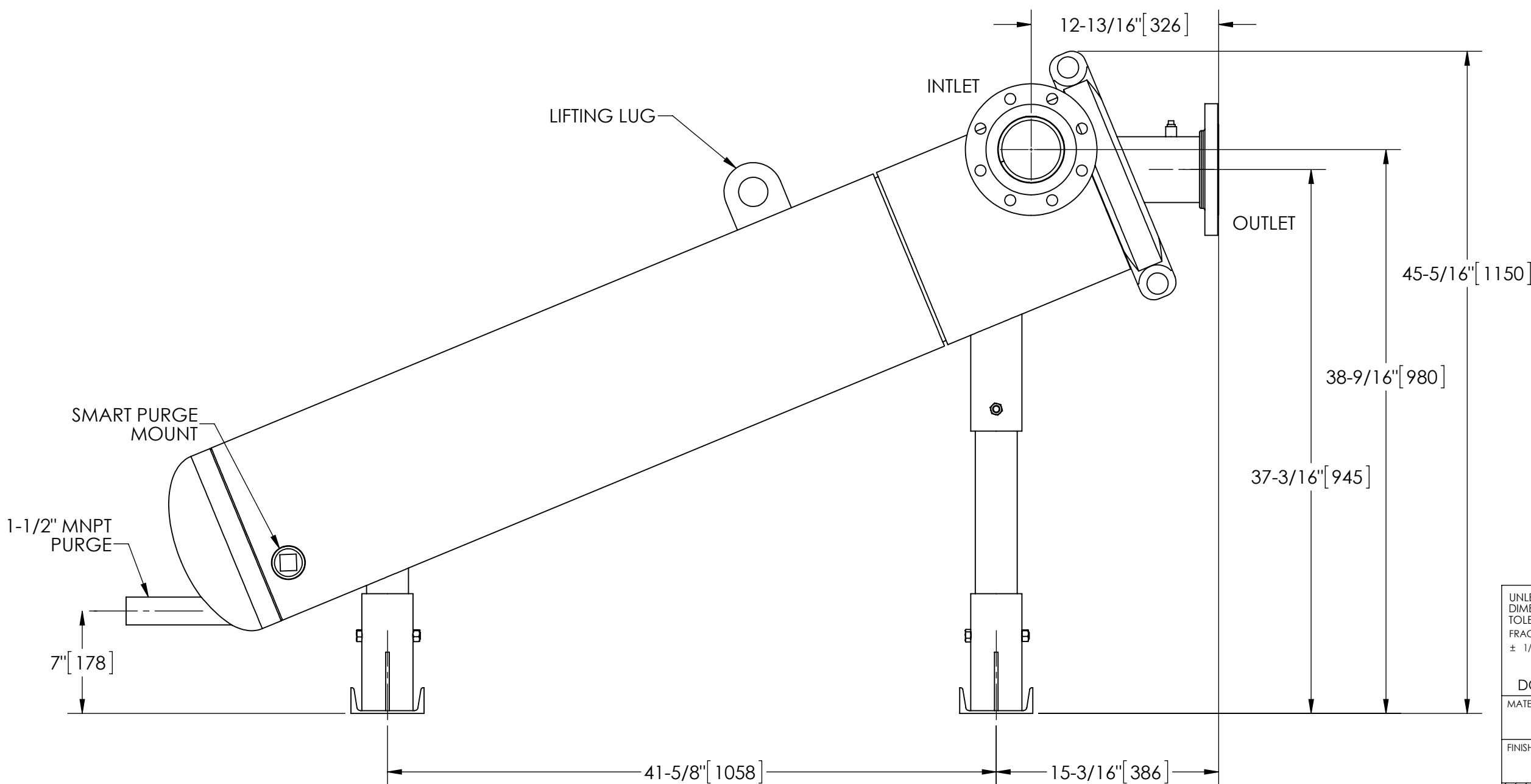
OPTIONAL SMART PURGE

UNIT SHOWN WITH OPTIONAL SMART PURGE SENSOR ASSEMBLY INSTALLED (ORDER SEPARATELY)



OPTIONAL FLANGED SPOOL

MODEL FS-04 (AVAILABLE SEPARATELY)
REQUIRED FOR REMOVAL OF TOP ASSEMBLY



UNLESS OTHERWISE SPECIFIED: DIMENSIONS ARE IN: INCHES (mm) TOLERANCES ARE:		ENGINEERED FOR: STANDARD		LAKOS. CLAUDE LAVAL CORP. FRESNO, CALIFORNIA 93727 WWW.LAKOS.COM	
FRACTIONS ± 1/2"	DECIMALS .XX ± .01 .XXX ± .005 .XXXX ± .0005	ANGLES ± 1/4°	APPROVALS	DATE	TITLE
DO NOT SCALE DRAWING			DRAWN Cag	10/1/14	eJPX-0195-L, SEPARATOR 0195 eJPX LOW PRO, CARBON STEEL
MATERIAL CLASS P-1 MILD CARBON STEEL		ENGR	MFG		SIZE C
FINISH LAKOS BLUE		WORK ORDER	QTY.	DWG NO. 137164	REV. 01
SCALE 1:8		EST. WT. 584 lb	SHEET 1 OF 1		

DWG NO. 137164
SHEET 1 OF 1
REV. 01