

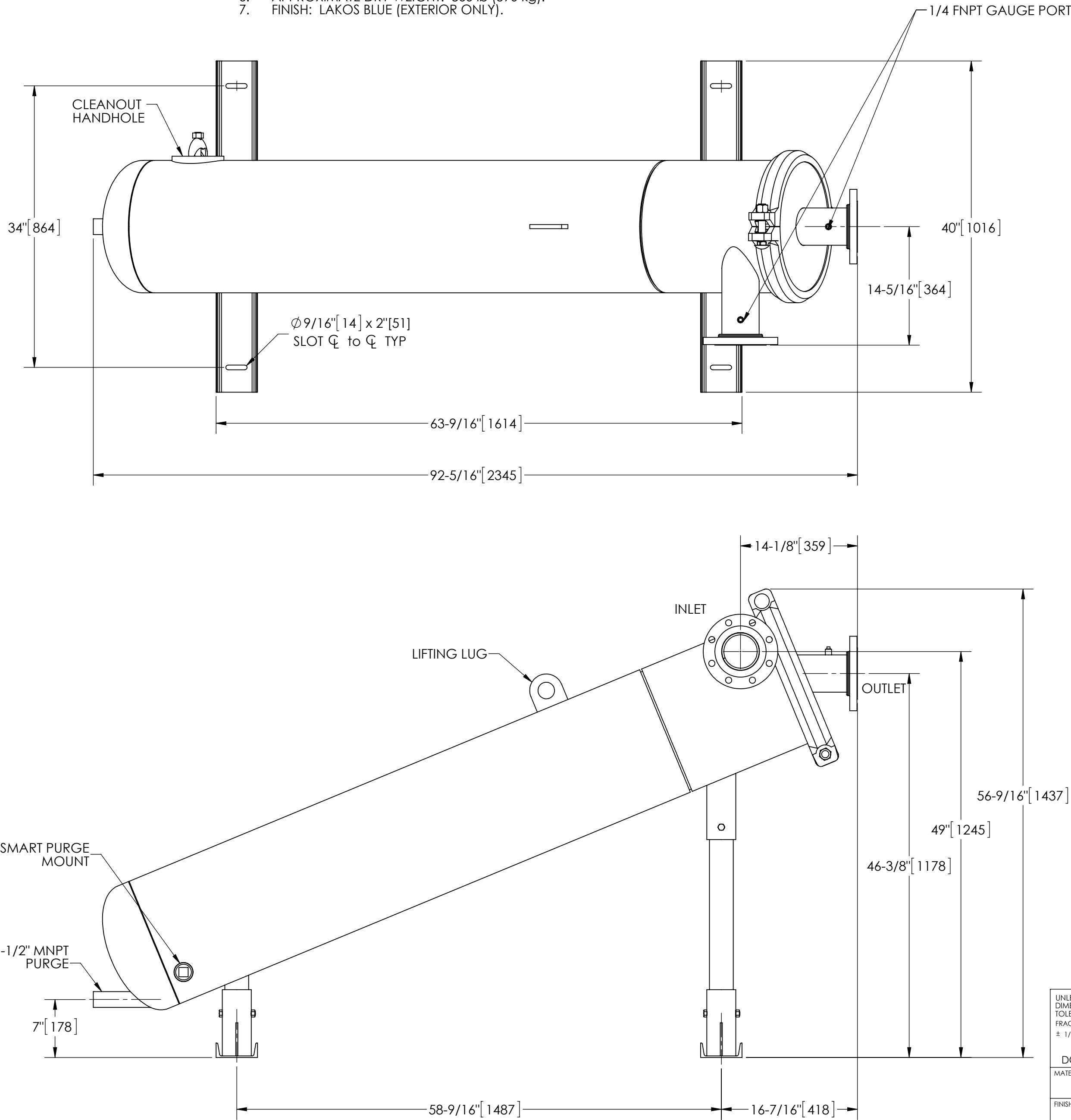
EXCEPT AS OTHERWISE PROVIDED BY CONTRACT, THIS DRAWING AND SPECIFICATIONS SHALL NOT BE REPRODUCED, COPIED OR USED AS THE BASIS FOR MANUFACTURE OR SALE OF MATTER DEPICTED HEREIN WITHOUT THE EXPRESSED WRITTEN PERMISSION OF THE CLAUDE LAVAL CORPORATION, OR ITS ASSIGNEES.

NOTES:

1. INLET & OUTLET FLANGES ARE 4" 150# RF PER ANSI B16.5 REQUIRING 8X $\phi 5/8"$ BOLTS (BOLTS AND GASKETS NOT INCLUDED).
2. MAXIMUM PRESSURE: 250 psi (17.24 bar).
3. MAXIMUM TEMPERATURE: 230°F (110 C).
4. PRESSURE LOSS: 5-18 psid (0.34-1.24 bar) AT RATED FLOW.
5. RATED FLOW: 350-650 gpm (79.5-147.6 m³/hr).
6. APPROXIMATE DRY WEIGHT: 860 lb (390 kg).
7. FINISH: LAKOS BLUE (EXTERIOR ONLY).

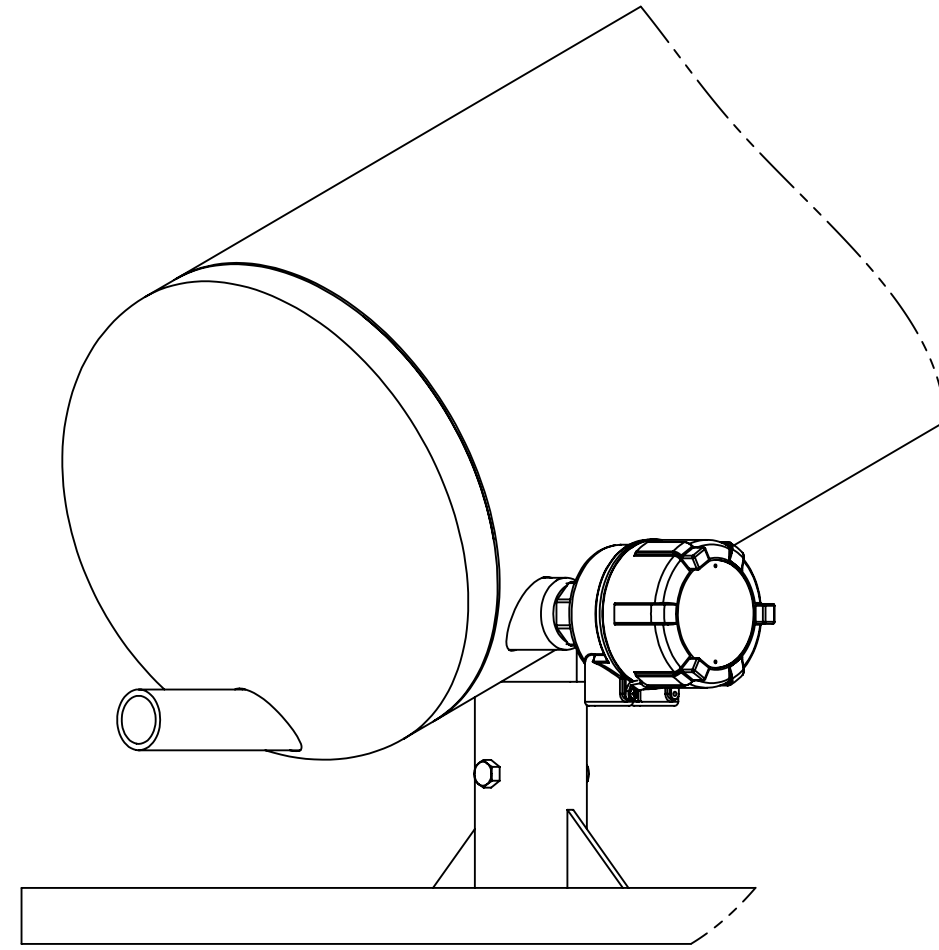
THIS DRAWING HAS BEEN GENERATED AND IS MAINTAINED BY A CAD SYSTEM. CHANGES SHALL ONLY BE INCORPORATED AS DIRECTED BY AN APPROVED ENGINEERING CHANGE ORDER (ECO). PAPER COPIES ARE UNCONTROLLED.

REVISION HISTORY				
ZONE	REV	DESCRIPTION	DATE	APPROVED



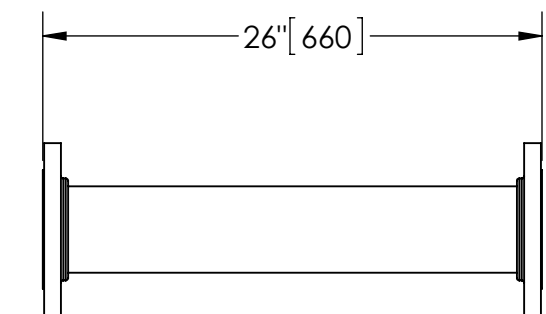
SUBMITTAL DRAWING

This drawing is submitted for spatial consideration only. Do not pre-plumb to these dimensions.



OPTIONAL PURGE LEVEL SENSOR

UNIT SHOWN WITH PURGE LEVEL SENSOR ASSEMBLY INSTALLED (ORDER SEPARATELY)



OPTIONAL FLANGED SPOOL

MODEL FS-04 (AVAILABLE SEPARATELY) REQUIRED FOR REMOVAL OF TOP ASSEMBLY

UNLESS OTHERWISE SPECIFIED:
DIMENSIONS ARE IN: INCHES (mm)
TOLERANCES ARE:

FRACTIONS	DECIMALS	ANGLES
$\pm 1/2"$.XX $\pm .01$	$\pm 1^\circ$
	.XXX $\pm .005$	
	.XXXX $\pm .0005$	

DO NOT SCALE DRAWING

MATERIAL	CLASS P-1 MILD CARBON STEEL
FINISH	LAKOS BLUE

ENGINEERED FOR: STANDARD	
APPROVALS	DATE
DRAWN Cag	10/3/14
ENGR -	-
MFG -	-
WORK ORDER	QTY.

LAKOS		CLAUDE LAVAL CORP. FRESNO, CALIFORNIA 93727 WWW.LAKOS.COM	
TITLE eJPX-0350-L, SEPARATOR 0350 eJPX LOW PROFILE, CARBON STEEL			
SIZE C	MODEL NO.	DWG NO. 137167	REV. 01
SCALE 1:10	EST. WT. 860 lb	SHEET 1 OF 1	

DWG. NO. 137167 SH 1 REV. 01