

EXCEPT AS OTHERWISE PROVIDED BY CONTRACT, THIS DRAWING AND SPECIFICATIONS SHALL NOT BE REPRODUCED, COPIED OR USED AS THE BASIS FOR MANUFACTURE OR SALE OF MATTER DEPICTED HEREIN WITHOUT THE EXPRESSED WRITTEN PERMISSION OF THE CLAUDE LAVAL CORPORATION, OR ITS ASSIGNEES.

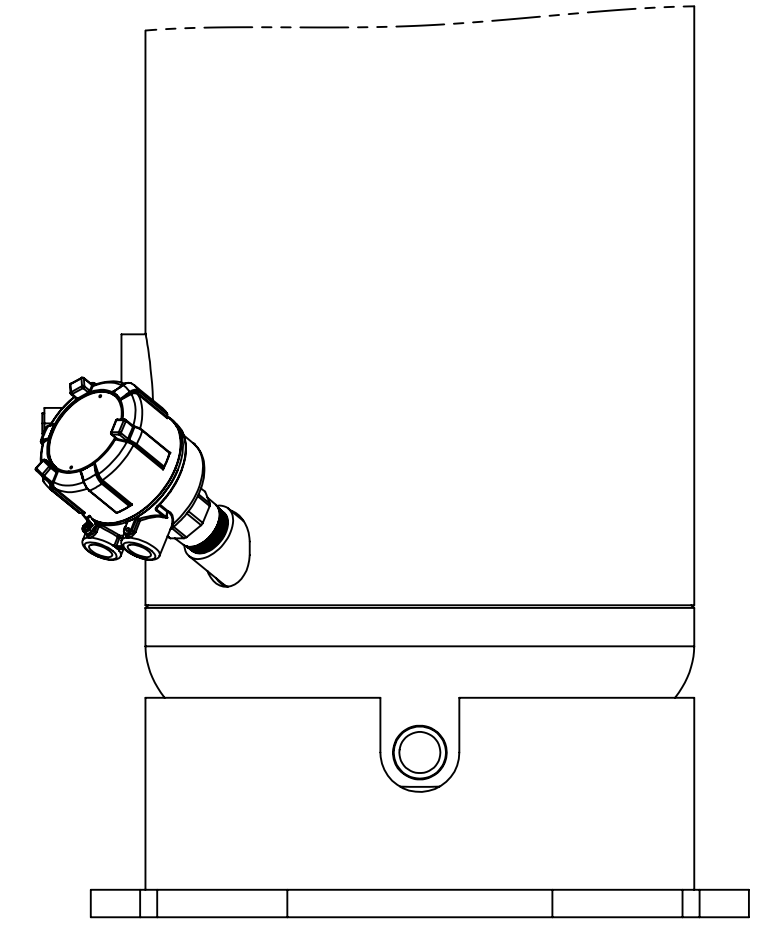
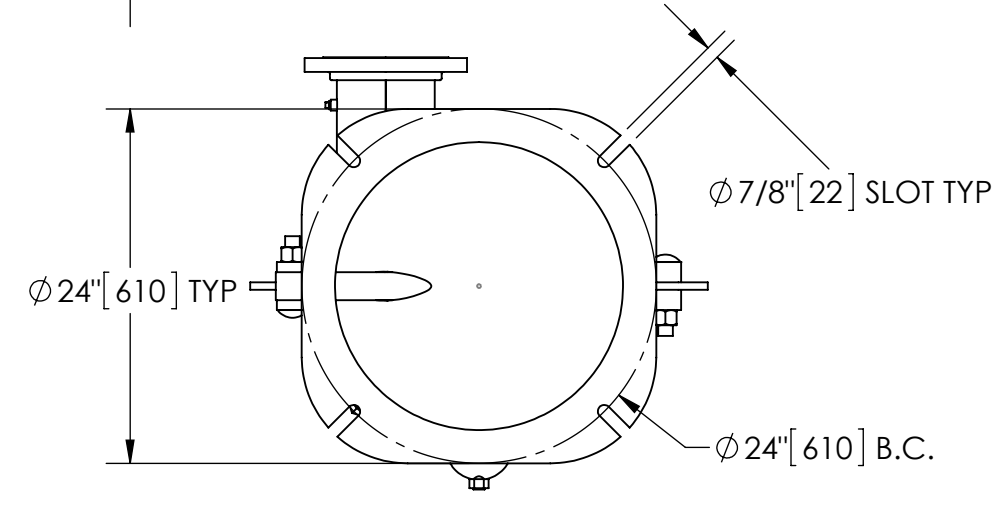
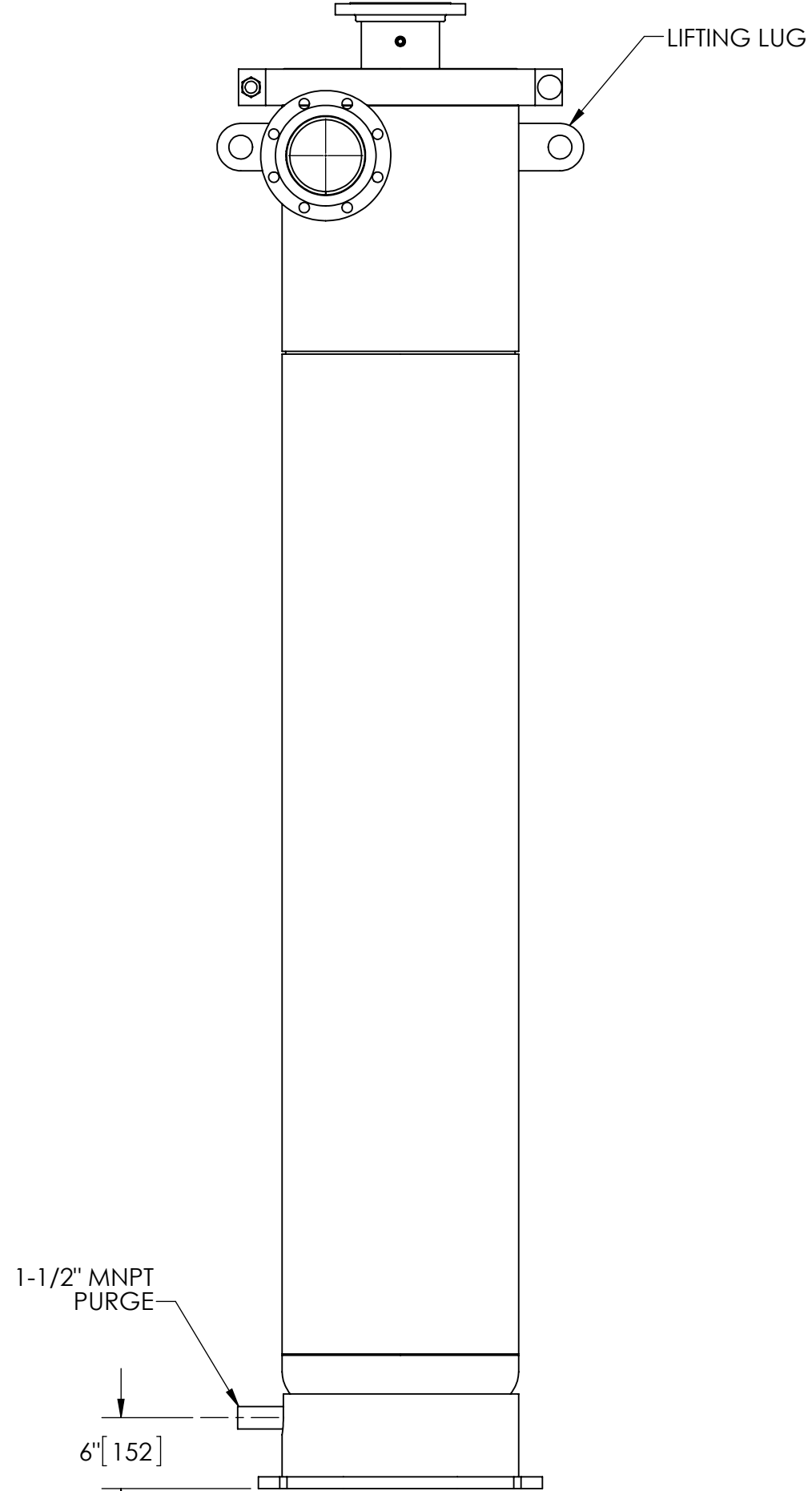
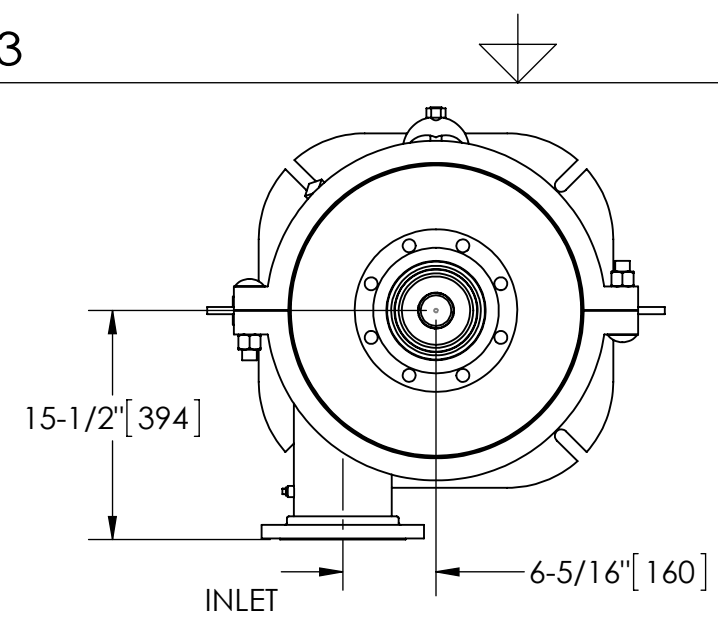
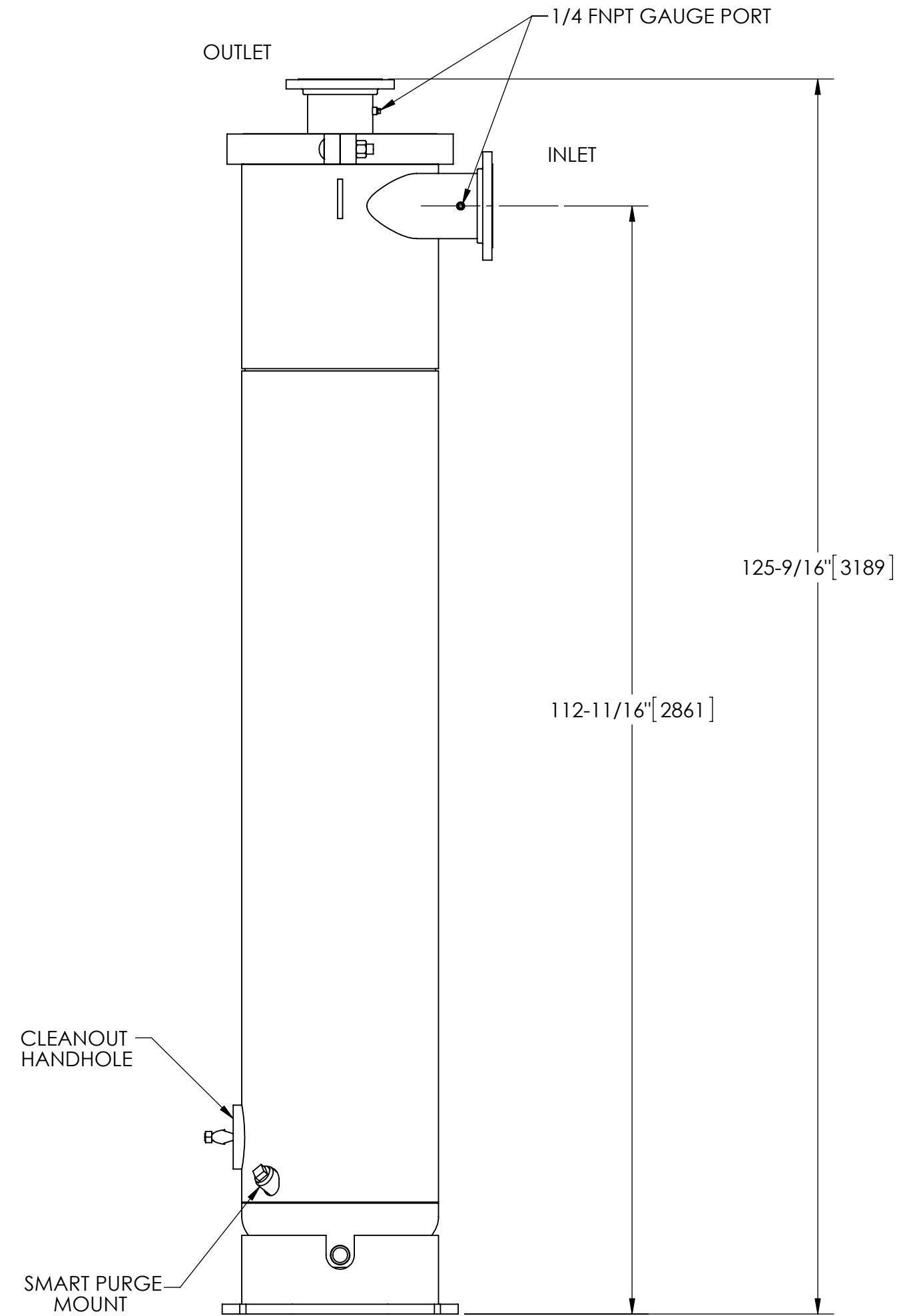
NOTES:

1. INLET & OUTLET FLANGES ARE 6" 150# RF PER ANSI B16.5 REQUIRING 8X ϕ 3/4" BOLTS (BOLTS AND GASKETS NOT INCLUDED).
2. MAXIMUM PRESSURE: 250 psi (17.24 bar).
3. MAXIMUM TEMPERATURE: 230°F (110°C).
4. PRESSURE LOSS: 5-18 psid (.34-1.24 bar) AT RATED FLOW.
5. RATED FLOW: 560-1030 gpm (127.2-233.9 m³/hr).
6. APPROXIMATE DRY WEIGHT: 1366 lbs (620 kg).
7. FINISH: LAKOS BLUE (EXTERIOR ONLY).

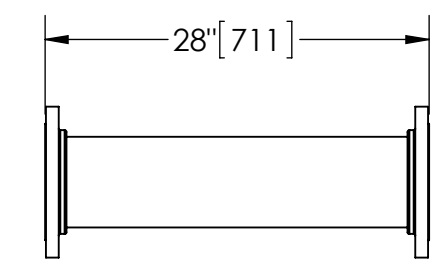
REVISIONS				
ECN	REV.	DESCRIPTION	DATE	APPROVED

SUBMITTAL DRAWING

This drawing is submitted for spatial consideration only. Do not pre-plumb to these dimensions.



OPTIONAL SMART PURGE
UNIT SHOWN WITH OPTIONAL SMART PURGE SENSOR ASSEMBLY INSTALLED (ORDER SEPARATELY)



OPTIONAL FLANGED SPOOL
MODEL FS-06 (AVAILABLE SEPARATELY)
REQUIRED FOR REMOVAL OF TOP ASSEMBLY

THIS DRAWING HAS BEEN GENERATED AND IS MAINTAINED BY A CAD SYSTEM. CHANGES SHALL ONLY BE INCORPORATED AS DIRECTED BY AN APPROVED ENGINEERING CHANGE ORDER (ECO). PAPER COPIES ARE UNCONTROLLED.

UNLESS OTHERWISE SPECIFIED: DIMENSIONS ARE IN: INCHES (mm) TOLERANCES ARE:			ENGINEERED FOR: STANDARD	
FRACTIONS	DECIMALS	ANGLES	APPROVALS	DATE
$\pm 1/2"$.XX \pm .01	$\pm 1/4^\circ$		
	.XXX \pm .005			
	.XXXX \pm .0005			
DO NOT SCALE DRAWING			DRAWN	Cag
MATERIAL			ENGR	-
CLASS P-1			MFG	-
MILD CARBON STEEL			WORK ORDER	QTY.
FINISH				
LAKOS BLUE				

LAKOS		CLAUDE LAVAL CORP. FRESNO, CALIFORNIA 93727 WWW.LAKOS.COM		
TITLE				
eJPX-0560-V, SEPARATOR				
0560 eJPX VERTICAL, CARBON STEEL				
SIZE	MODEL NO.	DWG NO.	REV.	
C		137169	01	
SCALE	1:14	EST. WT.	1366 lb	SHEET 1 OF 1