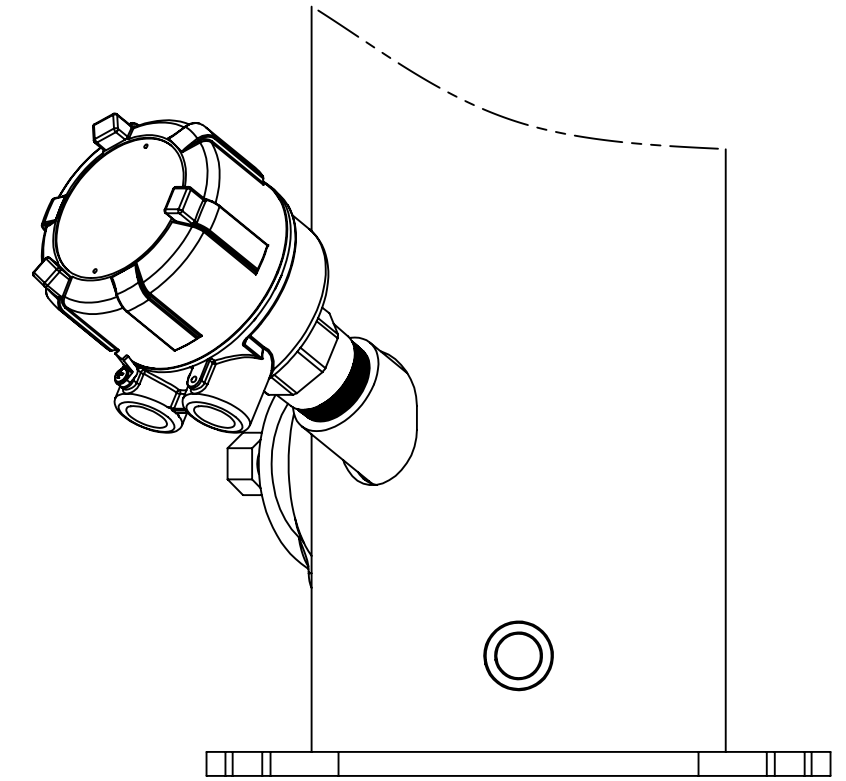
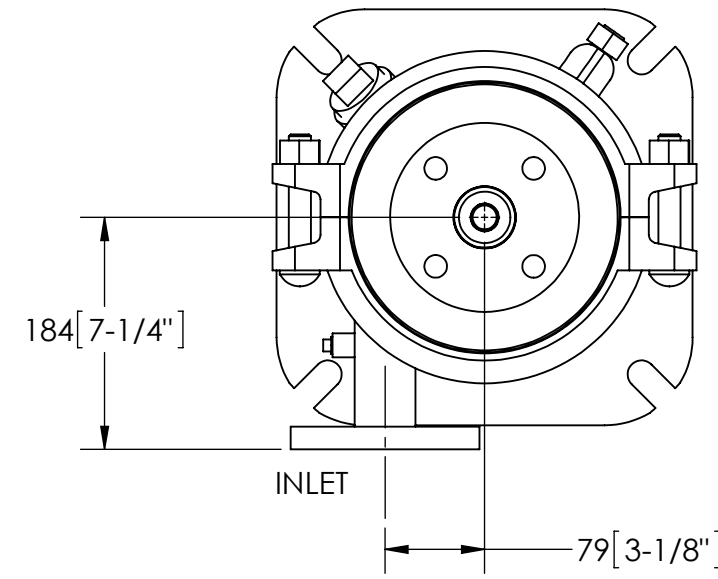


EXCEPT AS OTHERWISE PROVIDED BY CONTRACT, THIS DRAWING AND SPECIFICATIONS SHALL NOT BE REPRODUCED, COPIED OR USED AS THE BASIS FOR MANUFACTURE OR SALE OF MATTER DEPICTED HEREIN WITHOUT THE EXPRESSED WRITTEN PERMISSION OF THE CLAUDE LAVAL CORPORATION, OR ITS ASSIGNEES.

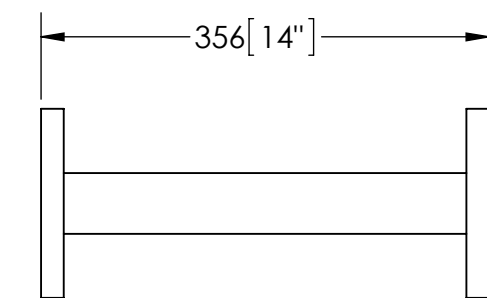
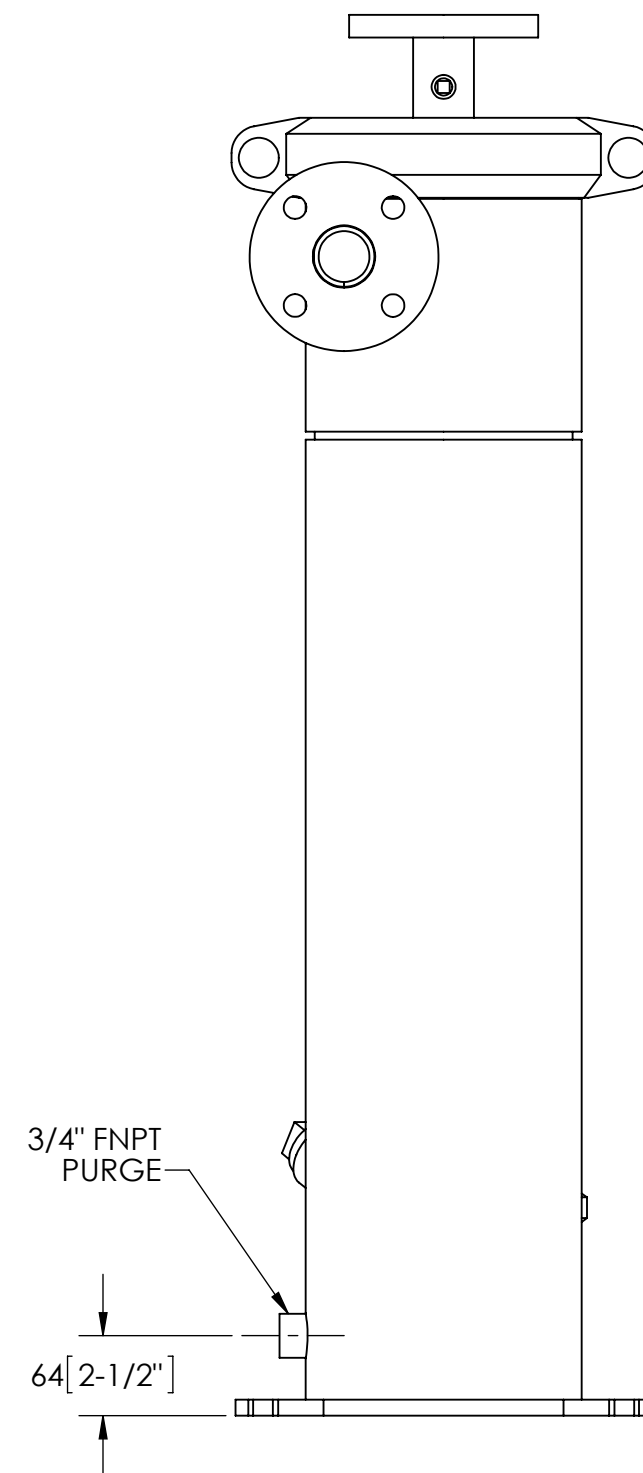
NOTES:

1. INLET & OUTLET FLANGES ARE 1-1/2" (40 mm) PN10 TYPE 01 PER EN 1092-1 REQUIRING 4X M16 BOLTS (BOLTS AND GASKETS NOT INCLUDED).
2. MAXIMUM PRESSURE: 16 bar (232 PSI).
3. MAXIMUM TEMPERATURE: 110°C (230°F).
4. PRESSURE LOSS: 0.34-1.24 bar AT RATED FLOW.
5. RATED FLOW: 12.5-22.7 m³/hr.
6. APPROXIMATE DRY WEIGHT: 84 kg.
7. FINISH: LAKOS BLUE (EXTERIOR ONLY).

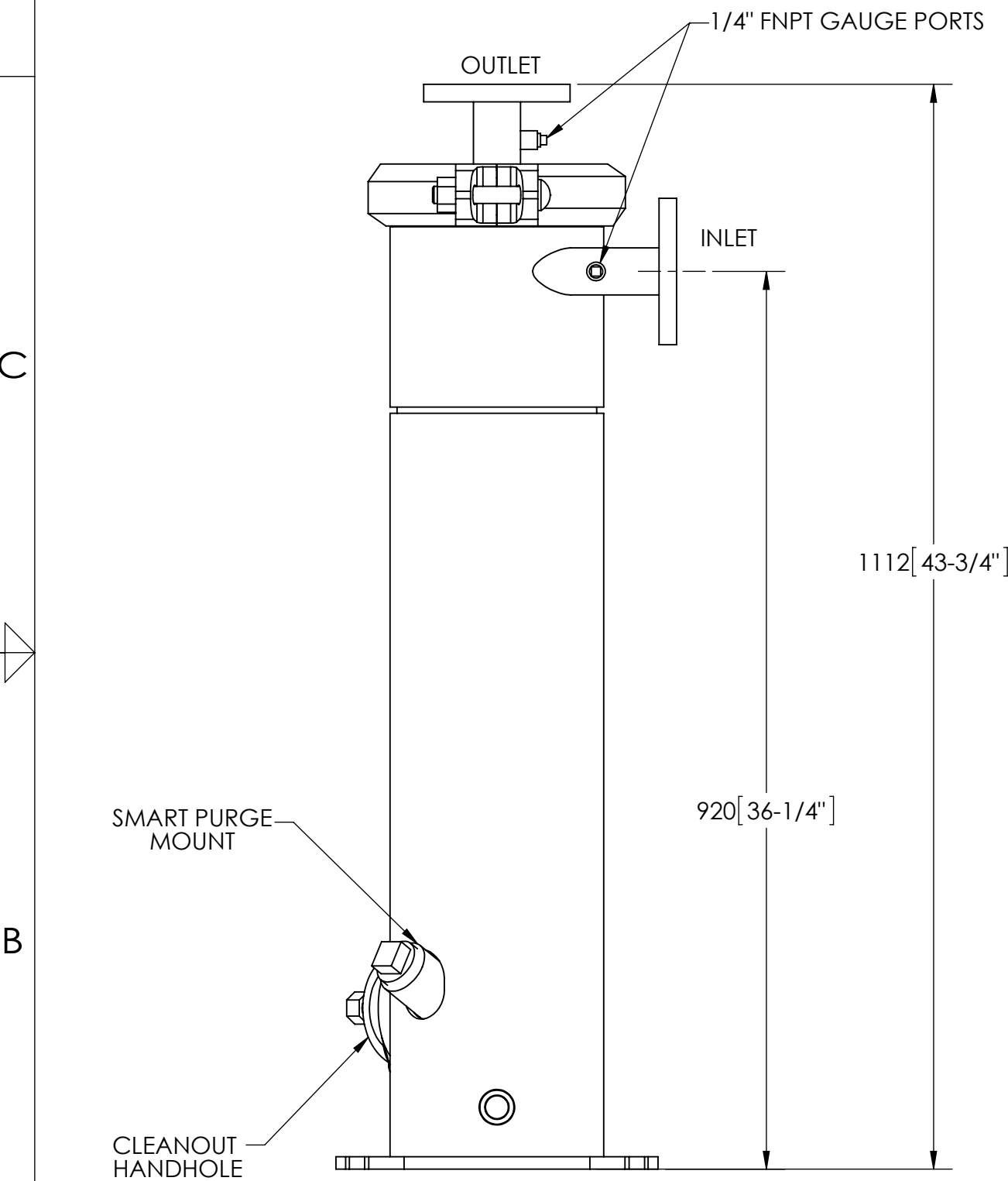
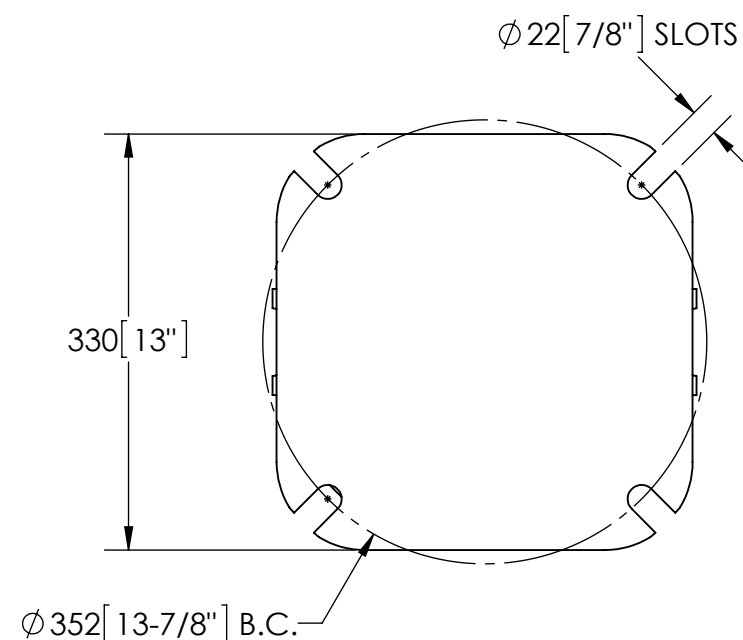
REVISION HISTORY				
ZONE	REV	DESCRIPTION	DATE	APPROVED



OPTIONAL SMART PURGE
UNIT SHOWN WITH OPTIONAL SMART PURGE SENSOR ASSEMBLY INSTALLED (ORDER SEPARATELY)



OPTIONAL FLANGED SPOOL
MODEL FS-015/DIN (ORDER SEPARATELY)
REQUIRED FOR REMOVAL OF TOP ASSEMBLY



SUBMITTAL DRAWING

This drawing is submitted for spatial consideration only. Do not pre-plumb to these dimensions.

THIS DRAWING HAS BEEN GENERATED AND IS MAINTAINED BY A CAD SYSTEM. CHANGES SHALL ONLY BE INCORPORATED AS DIRECTED BY AN APPROVED ENGINEERING CHANGE ORDER (ECO). PAPER COPIES ARE UNCONTROLLED.

UNLESS OTHERWISE SPECIFIED: DIMENSIONS ARE IN: mm (INCHES) TOLERANCES ARE: DECIMALS ANGLES 0 ± 0.5 ± 1/4" 0.0 ± 0.05		ENGINEERED FOR: DIN FLANGES		LAKOS CLAUDE LAVAL CORP. FRESNO, CALIFORNIA 93727 WWW.LAKOS.COM	
DO NOT SCALE DRAWING		APPROVALS	DATE	TITLE	
MATERIAL CLASS P-1 MILD CARBON STEEL		DRAWN Cag	9/30/14	eJPX-0055-V/DIN, SEPARATOR 0055 eJPX VERT DIN FLG, CARBON STEEL	
FINISH LAKOS BLUE		ENGR -	-	SIZE MODEL NO.	DWG NO. REV.
		WORK ORDER	QTY.	C 137159-DIN	01
				SCALE 1:6	EST. WT. 190 lb SHEET 1 OF 1

DWG NO. 137159-DIN
SHEET 01