

EXCEPT AS OTHERWISE PROVIDED BY CONTRACT, THIS DRAWING AND SPECIFICATIONS SHALL NOT BE REPRODUCED, COPIED OR USED AS THE BASIS FOR MANUFACTURE OR SALE OF MATTER DEPICTED HEREIN WITHOUT THE EXPRESSED WRITTEN PERMISSION OF THE CLAUDE LAVAL CORPORATION, OR ITS ASSIGNEES.

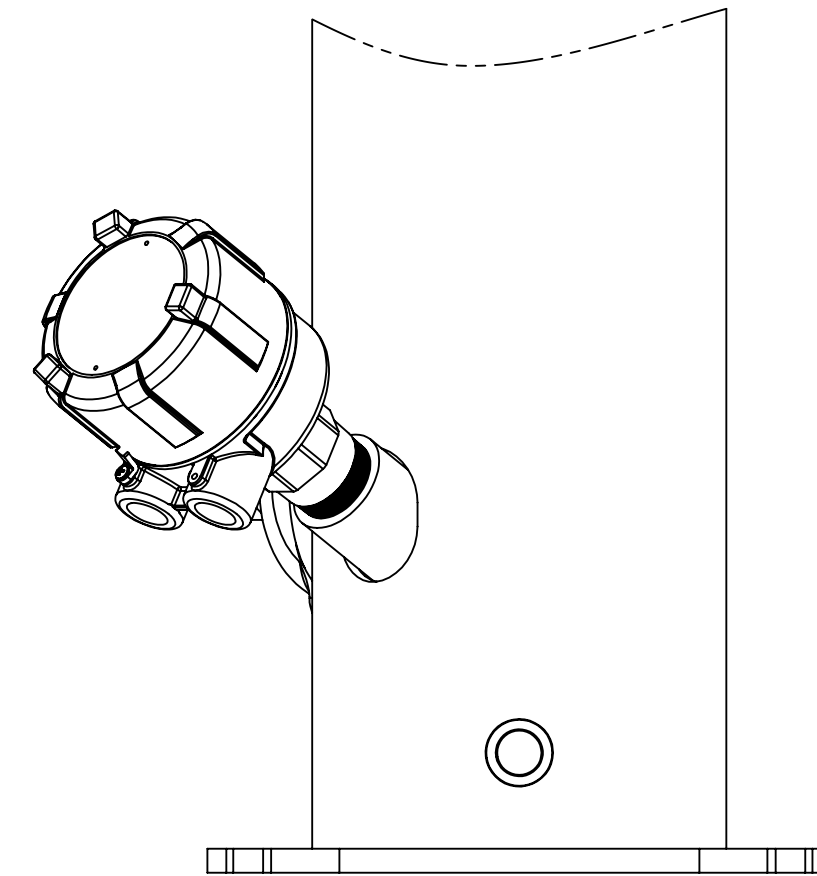
NOTES:

1. INLET & OUTLET FLANGES ARE 2" (50 mm) PN10 TYPE 01 PER EN 1092-1 REQUIRING 4X M16 BOLTS (BOLTS AND GASKETS NOT INCLUDED).
2. MAXIMUM PRESSURE: 16 bar (232 psi).
3. MAXIMUM TEMPERATURE: 110°C (230°F).
4. PRESSURE LOSS: .34-1.24 bar AT RATED FLOW.
5. RATED FLOW: 18-34 m³/hr.
6. APPROXIMATE DRY WEIGHT: 110 kg.
7. FINISH: LAKOS BLUE (EXTERIOR ONLY).

REVISION HISTORY				
ZONE	REV	DESCRIPTION	DATE	APPROVED

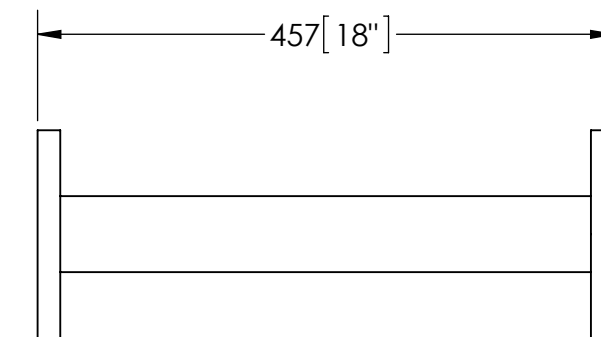
## SUBMITTAL DRAWING

This drawing is submitted for spatial consideration only. Do not pre-plumb to these dimensions.



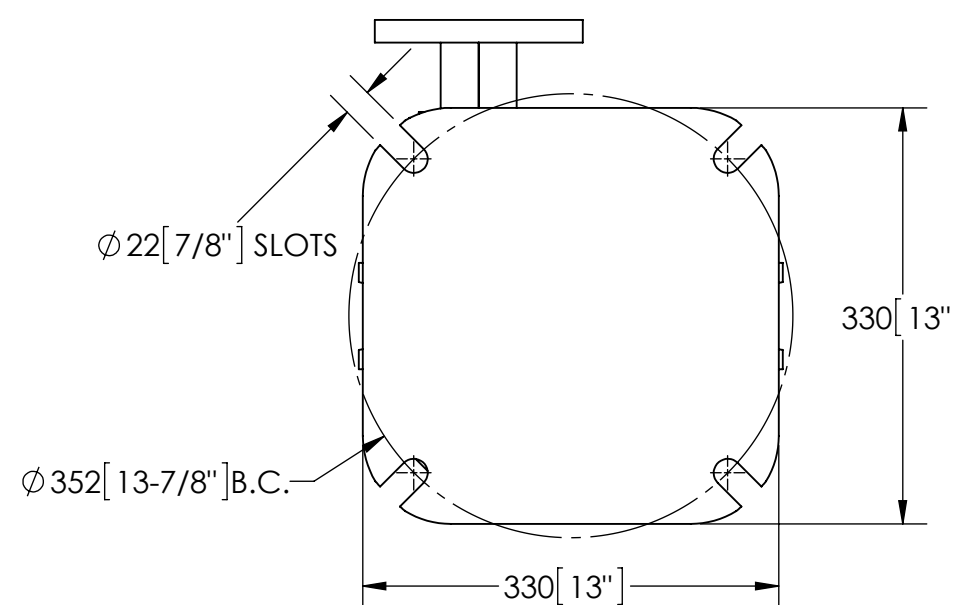
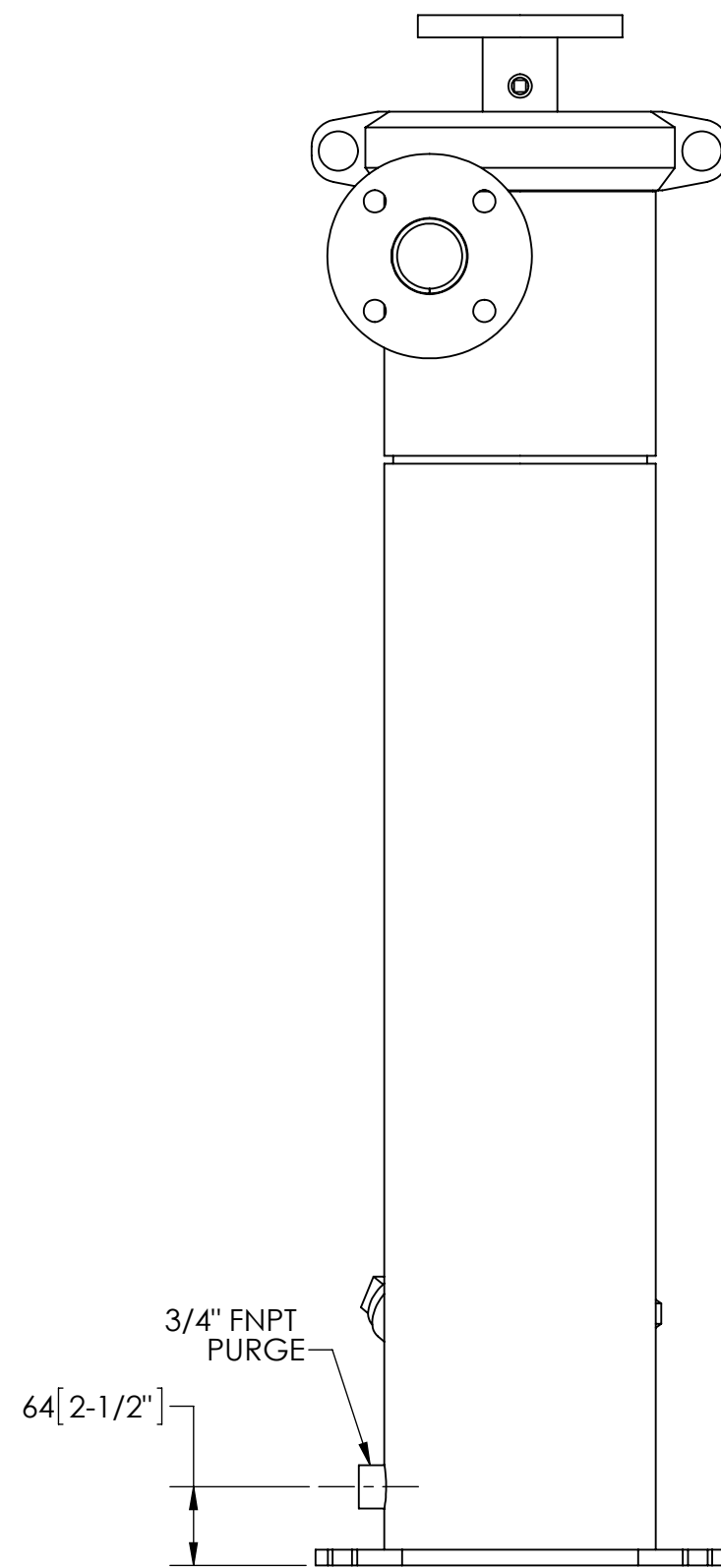
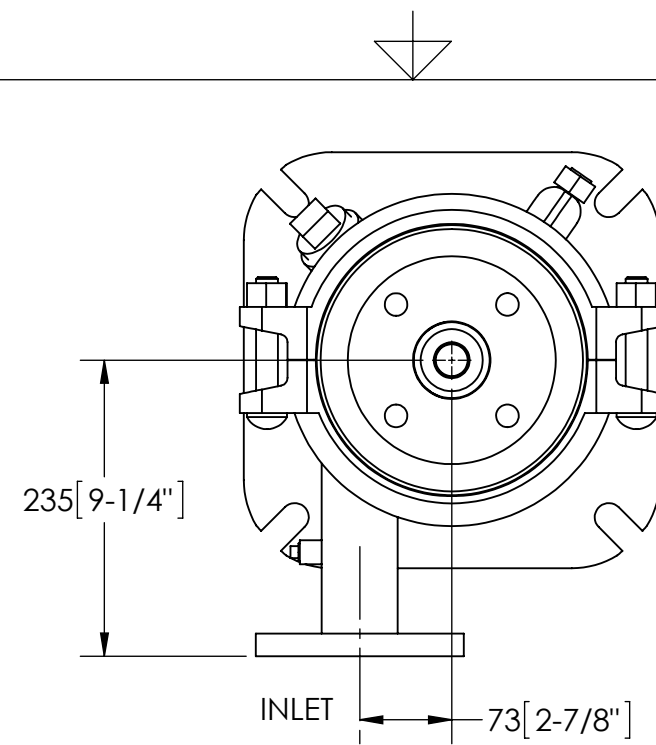
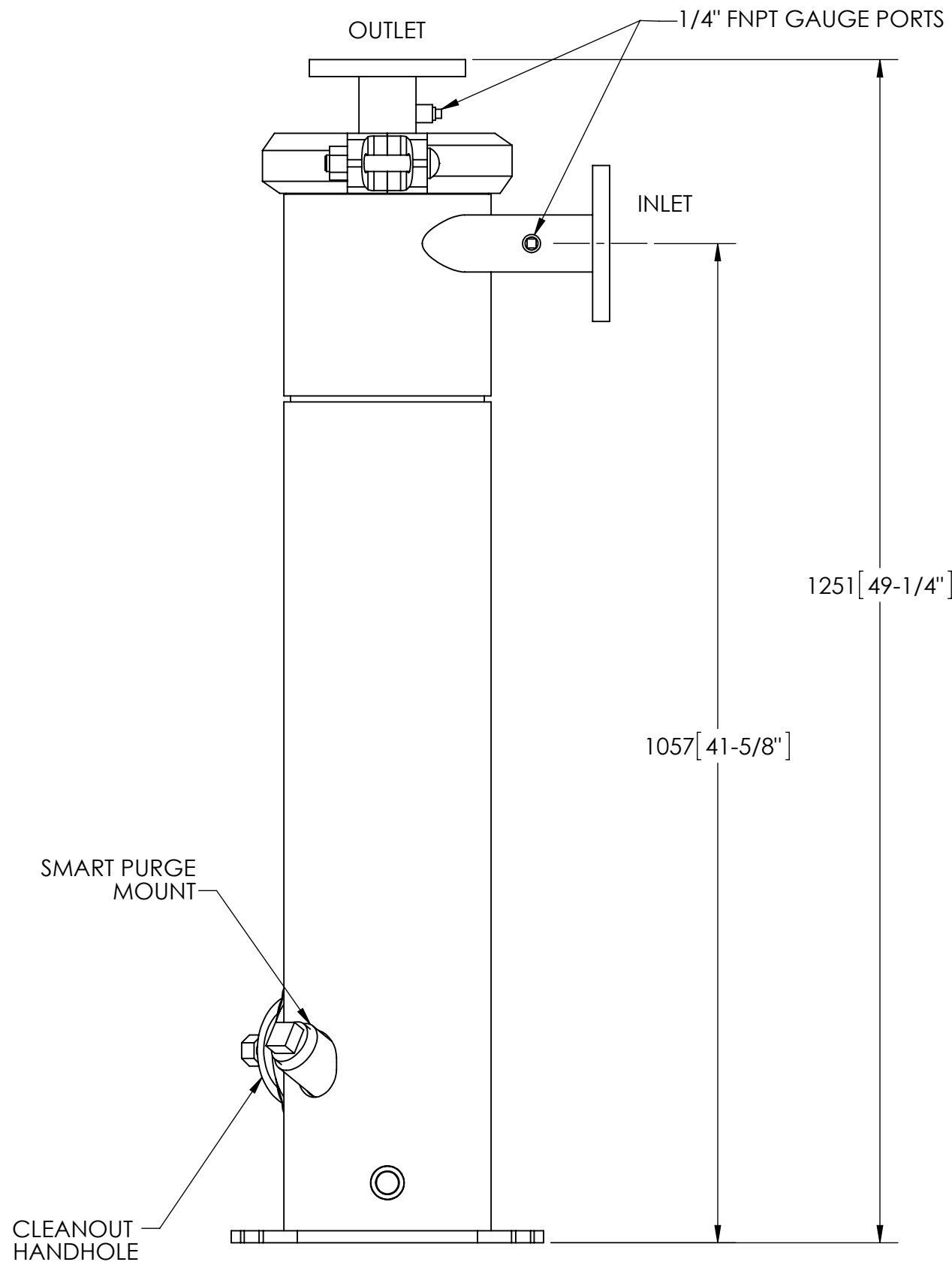
### OPTIONAL SMART PURGE

UNIT SHOWN WITH OPTIONAL SMART PURGE ASSEMBLY INSTALLED (ORDER SEPARATELY)



### OPTIONAL FLANGED SPOOL

MODEL FS-02/DIN (AVAILABLE SEPARATELY)  
REQUIRED FOR REMOVAL OF TOP ASSEMBLY



THIS DRAWING HAS BEEN GENERATED AND IS MAINTAINED BY A CAD SYSTEM. CHANGES SHALL ONLY BE INCORPORATED AS DIRECTED BY AN APPROVED ENGINEERING CHANGE ORDER (ECO). PAPER COPIES ARE UNCONTROLLED.

UNLESS OTHERWISE SPECIFIED:  
DIMENSIONS ARE IN: mm (INCHES)  
TOLERANCES ARE:  
DECIMALS ANGLES  
0 ± .6 ± 1/4°  
0.0 ± 0.5  
0.00 ± 0.05

DO NOT SCALE DRAWING

MATERIAL CLASS P-1 MILD CARBON STEEL

FINISH LAKOS BLUE

ENGINEERED FOR:  
DIN FLANGES

APPROVALS DATE

DRAWN Cag 9/30/14

ENGR - -

MFG - -

WORK ORDER QTY.

**LAKOS**

CLAUDE LAVAL CORP.  
FRESNO, CALIFORNIA 93727  
WWW.LAKOS.COM

TITLE eJPX-0080-V/DIN, SEPARATOR  
0080 eJPX VERT DIN FLG, CARBON STEEL

SIZE C	MODEL NO.	DWG NO. 137160-DIN	REV. 01
SCALE 1:6	EST. WT. 230 lb	SHEET 1 OF 1	