

EXCEPT AS OTHERWISE PROVIDED BY CONTRACT, THIS DRAWING AND SPECIFICATIONS SHALL NOT BE REPRODUCED, COPIED OR USED AS THE BASIS FOR MANUFACTURE OR SALE OF MATTER DEPICTED HEREIN WITHOUT THE EXPRESSED WRITTEN PERMISSION OF THE CLAUDE LAVAL CORPORATION, OR ITS ASSIGNEES.

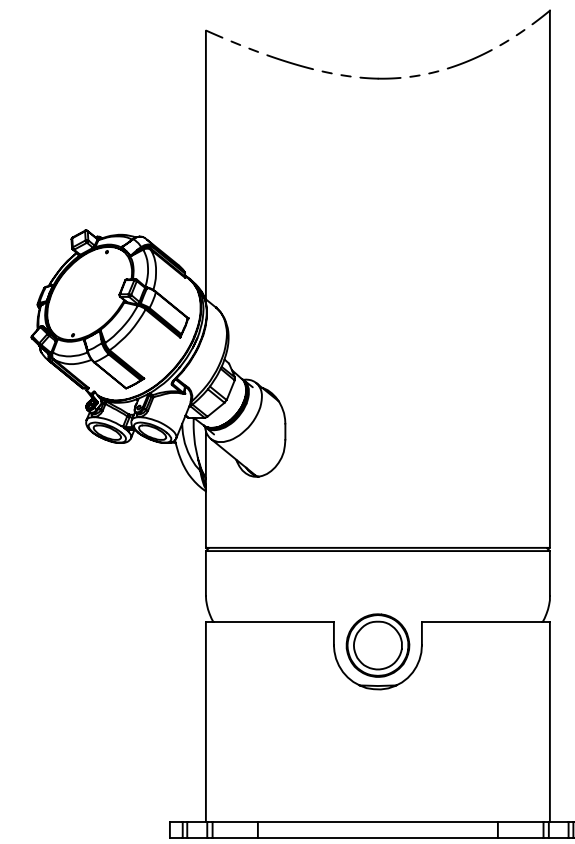
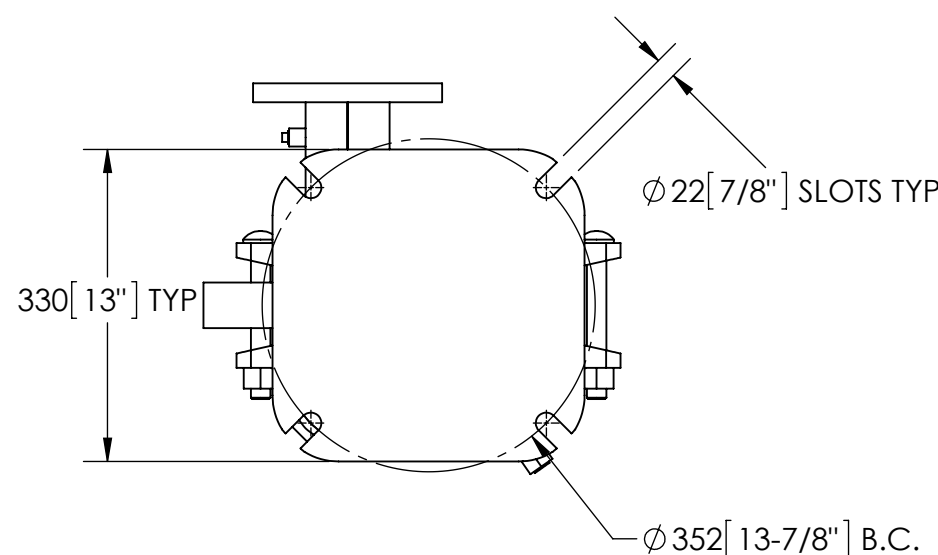
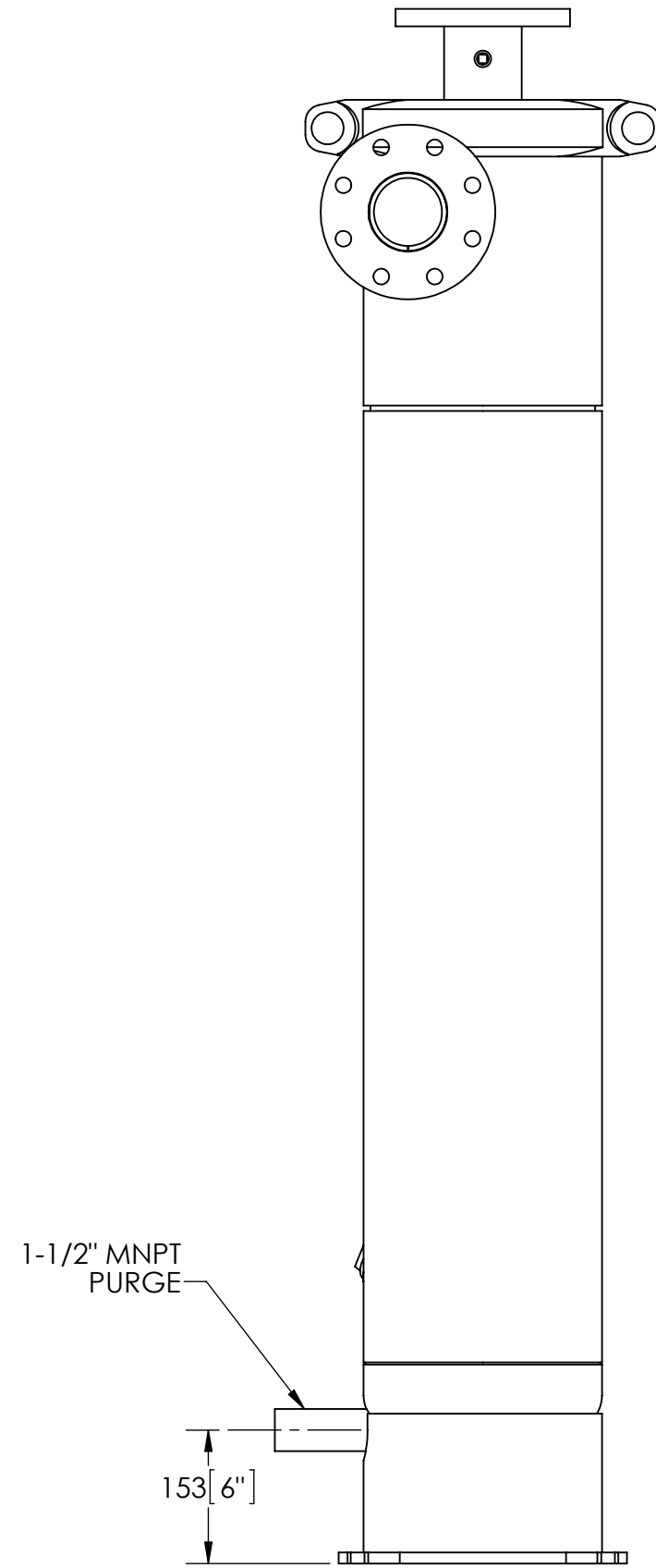
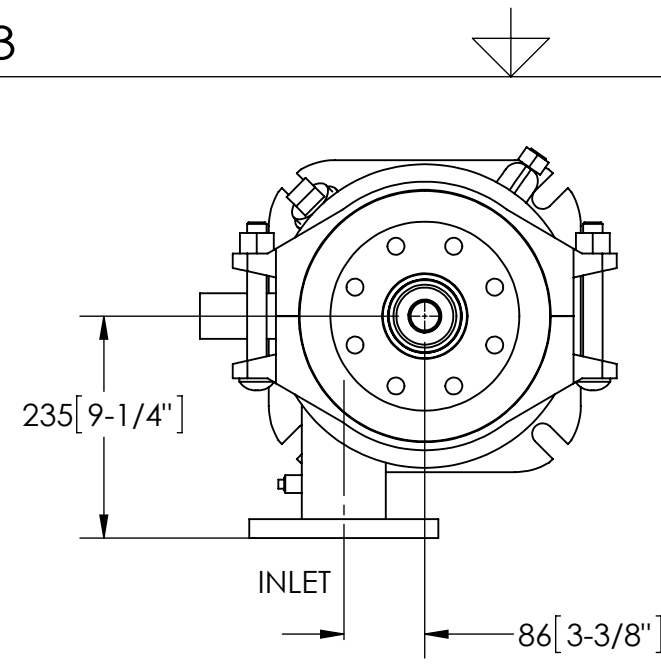
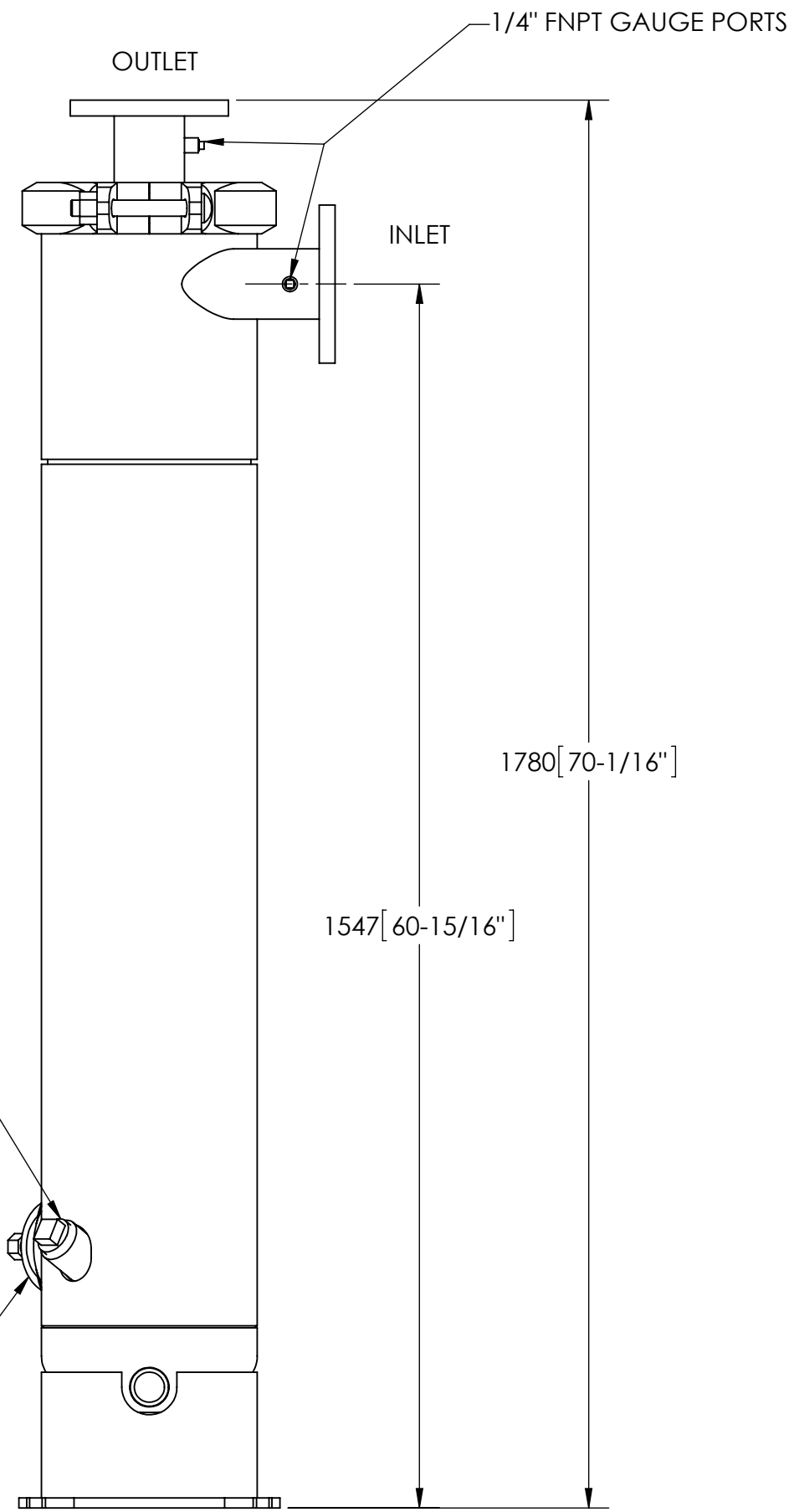
NOTES:

1. INLET & OUTLET FLANGES ARE 3" (80 mm) PN10 TYPE 01 PER EN 1092-1 REQUIRING 8X M16 BOLTS (BOLTS AND GASKETS NOT INCLUDED).
2. MAXIMUM PRESSURE: 16 bar (232 PSI).
3. MAXIMUM TEMPERATURE: 110°C (230°F).
4. PRESSURE LOSS: 0.34-1.24 bar AT RATED FLOW.
5. RATED FLOW: 30.7-56.8 m<sup>3</sup>/hr.
6. APPROXIMATE DRY WEIGHT: 172 kg.
7. FINISH: LAKOS BLUE (EXTERIOR ONLY).

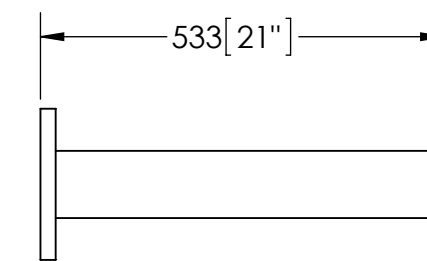
REVISION HISTORY				
ZONE	REV	DESCRIPTION	DATE	APPROVED

## SUBMITTAL DRAWING

This drawing is submitted for spatial consideration only. Do not pre-plumb to these dimensions.



**OPTIONAL SMART PURGE**  
UNIT SHOWN WITH OPTIONAL SMART PURGE SENSOR ASSEMBLY INSTALLED (ORDER SEPARATELY)



**OPTIONAL FLANGED SPOOL**  
MODEL FS-03/DIN (AVAILABLE SEPARATELY)  
REQUIRED FOR REMOVAL OF TOP ASSEMBLY

THIS DRAWING HAS BEEN GENERATED AND IS MAINTAINED BY A CAD SYSTEM. CHANGES SHALL ONLY BE INCORPORATED AS DIRECTED BY AN APPROVED ENGINEERING CHANGE ORDER (ECO). PAPER COPIES ARE UNCONTROLLED.

UNLESS OTHERWISE SPECIFIED: DIMENSIONS ARE IN: mm (INCHES) TOLERANCES ARE:	
DECIMALS	ANGLES
0 ± 0.5	± 1/4"
0.0 ± 0.5	
0.00 ± 0.05	
DO NOT SCALE DRAWING	
MATERIAL	CLASS P-1 MILD CARBON STEEL
FINISH	LAKOS BLUE

ENGINEERED FOR: DIN FLANGES	
APPROVALS	DATE
DRAWN Cag	10/1/14
ENGR	
MFG	
WORK ORDER	QTY.

<b>LAKOS</b>		CLAUDE LAVAL CORP. FRESNO, CALIFORNIA 93727 WWW.LAKOS.COM	
TITLE eJPX-0135-V/DIN, SEPARATOR 0135 eJPX VERT DIN FLG, CARBON STEEL			
SIZE C	MODEL NO.	DWG NO. 137162-DIN	REV. 01
SCALE 1:10	EST. WT. 390 lb	SHEET 1 OF 1	