

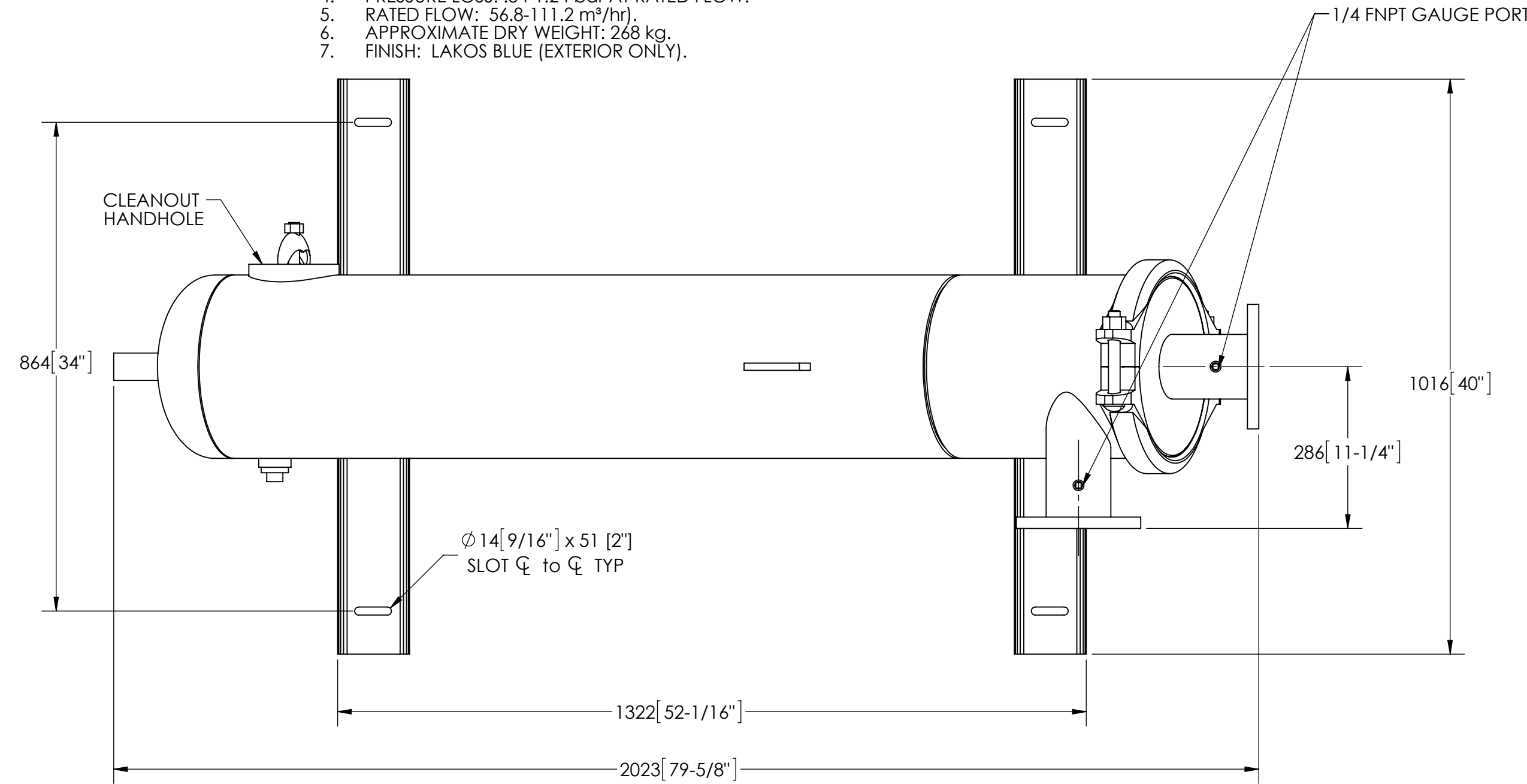
EXCEPT AS OTHERWISE PROVIDED BY CONTRACT, THIS DRAWING AND SPECIFICATIONS SHALL NOT BE REPRODUCED, COPIED OR USED AS THE BASIS FOR MANUFACTURE OR SALE OF MATTER DEPICTED HEREIN WITHOUT THE EXPRESSED WRITTEN PERMISSION OF THE CLAUDE LAVAL CORPORATION, OR ITS ASSIGNEES.

NOTES:

1. INLET & OUTLET FLANGES ARE 4" (100 mm) PN16 TYPE 01 PER EN 1092-1 REQUIRING 8X M16 BOLTS (BOLTS AND GASKETS NOT INCLUDED).
2. MAXIMUM PRESSURE: 16 bar (232 psi).
3. MAXIMUM TEMPERATURE: 110°C (230°F).
4. PRESSURE LOSS: .34-1.24 bar AT RATED FLOW.
5. RATED FLOW: 56.8-111.2 m³/hr.
6. APPROXIMATE DRY WEIGHT: 268 kg.
7. FINISH: LAKOS BLUE (EXTERIOR ONLY).

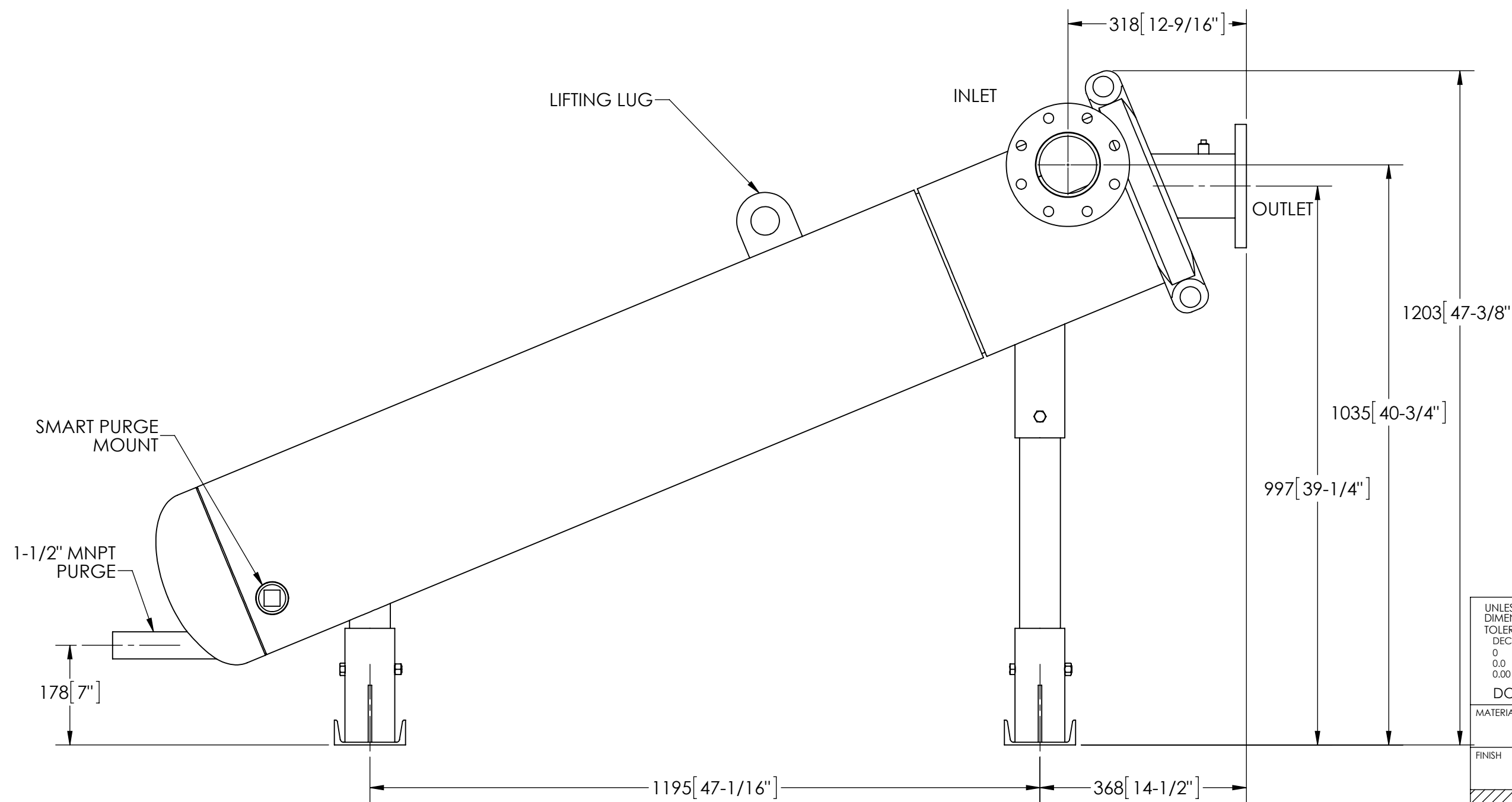
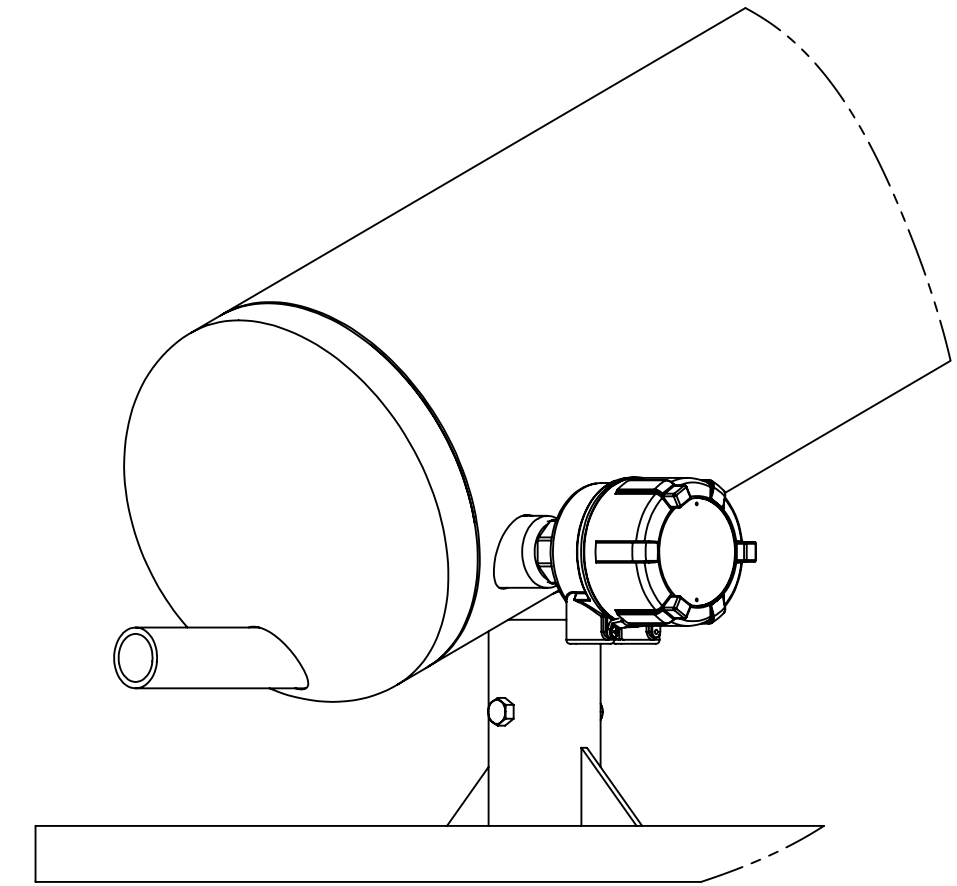
THIS DRAWING HAS BEEN GENERATED AND IS MAINTAINED BY A CAD SYSTEM. CHANGES SHALL ONLY BE INCORPORATED AS DIRECTED BY AN APPROVED ENGINEERING CHANGE ORDER (ECO). PAPER COPIES ARE UNCONTROLLED.

REVISIONS				
ECN	REV.	DESCRIPTION	DATE	APPROVED

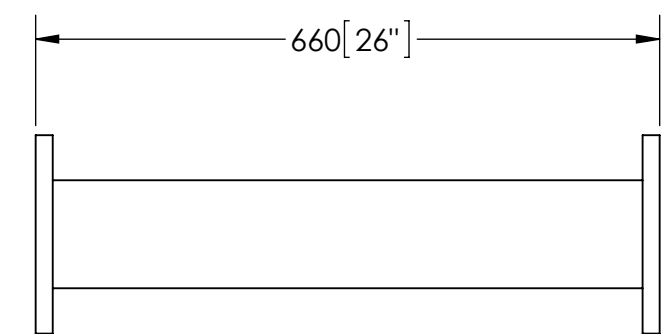


SUBMITTAL DRAWING

This drawing is submitted for spatial consideration only. Do not pre-plumb to these dimensions.



OPTIONAL SMART PURGE
UNIT SHOWN WITH OPTIONAL SMART PURGE SENSOR ASSEMBLY INSTALLED (ORDER SEPARATELY)



OPTIONAL FLANGED SPOOL
MODEL FS-04/DIN (AVAILABLE SEPARATELY) REQUIRED FOR REMOVAL OF TOP ASSEMBLY

UNLESS OTHERWISE SPECIFIED: DIMENSIONS ARE IN: mm (INCHES) TOLERANCES ARE: DECIMALS ANGLES 0 ± .6 ± 1/4" 0.0 ± 0.5 0.00 ± 0.05	ENGINEERED FOR: DIN FLANGES	
	APPROVALS	DATE
DO NOT SCALE DRAWING	DRAWN Cag	10/1/14
MATERIAL CLASS P-1 MILD CARBON STEEL	ENGR -	-
FINISH LAKOS BLUE	MFG -	-
	WORK ORDER	QTY.

APPROVALS		DATE
DRAWN Cag		10/1/14
ENGR -		-
MFG -		-
WORK ORDER		QTY.

LAKOS.		CLAUDE LAVAL CORP. FRESNO, CALIFORNIA 93727 WWW.LAKOS.COM	
TITLE eJPX-0250-L/DIN, SEPARATOR 0250 eJPX LOW PRO DIN FLG, CARBON STEEL			
SIZE C	MODEL NO.	DWG NO. 137166-DIN	REV. A
SCALE 1:8		EST. WT. 268 kg	SHEET 1 OF 1

DWG NO. 137166-DIN SH 1 REV. A