

EXCEPT AS OTHERWISE PROVIDED BY CONTRACT, THIS DRAWING AND SPECIFICATIONS SHALL NOT BE REPRODUCED, COPIED OR USED AS THE BASIS FOR MANUFACTURE OR SALE OF MATTER DEPICTED HEREIN WITHOUT THE EXPRESSED WRITTEN PERMISSION OF THE CLAUDE LAVAL CORPORATION, OR ITS ASSIGNEES.

NOTES:

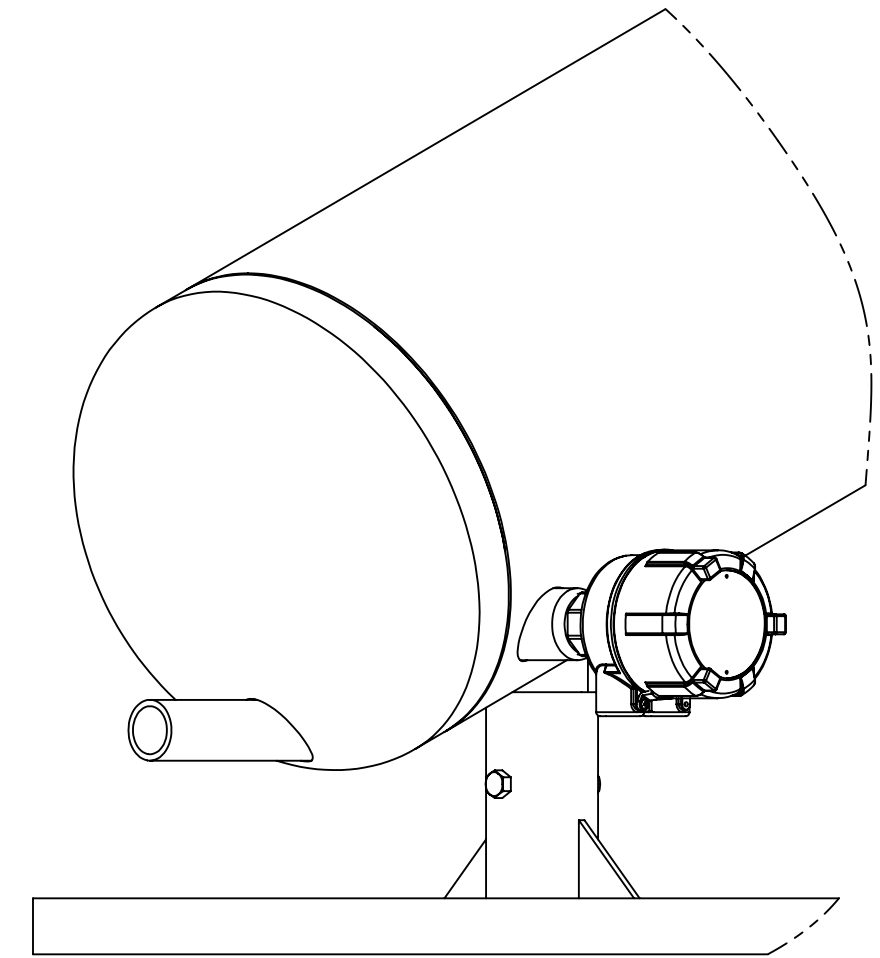
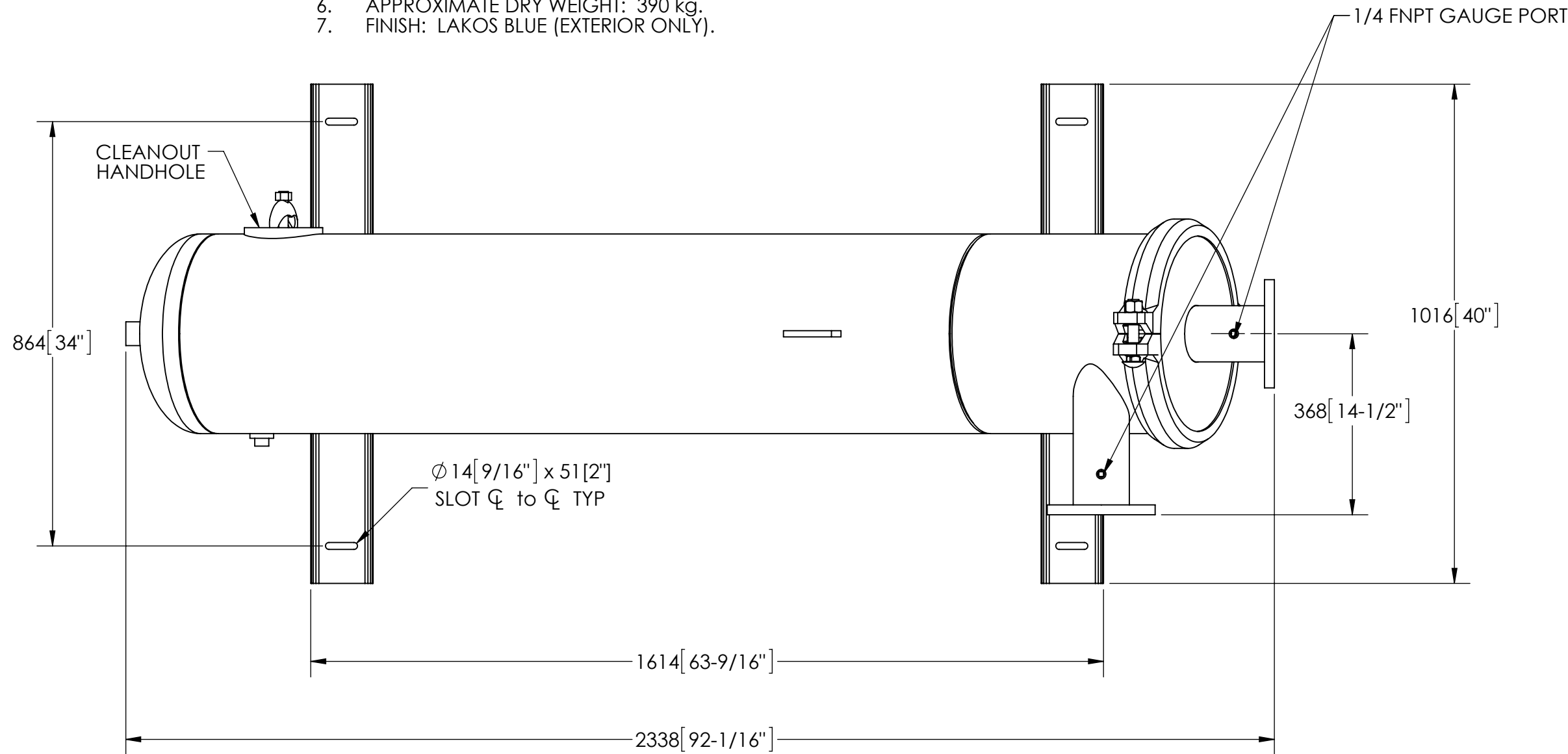
1. INLET & OUTLET FLANGES ARE 4" (100 mm) PN16 TYPE 01 PER EN 1092-1 REQUIRING 8X M16 BOLTS (BOLTS AND GASKETS NOT INCLUDED).
2. MAXIMUM PRESSURE: 16 bar (232 PSI).
3. MAXIMUM TEMPERATURE: 110 C (230°F).
4. PRESSURE LOSS: 0.34-1.24 bar AT RATED FLOW.
5. RATED FLOW: 79.5-147.6 m³/hr.
6. APPROXIMATE DRY WEIGHT: 390 kg.
7. FINISH: LAKOS BLUE (EXTERIOR ONLY).

THIS DRAWING HAS BEEN GENERATED AND IS MAINTAINED BY A CAD SYSTEM. CHANGES SHALL ONLY BE INCORPORATED AS DIRECTED BY AN APPROVED ENGINEERING CHANGE ORDER (ECO). PAPER COPIES ARE UNCONTROLLED.

REVISION HISTORY				
ZONE	REV	DESCRIPTION	DATE	APPROVED

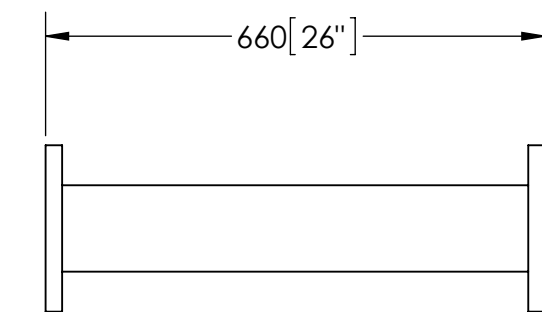
SUBMITTAL DRAWING

This drawing is submitted for spatial consideration only. Do not pre-plumb to these dimensions.



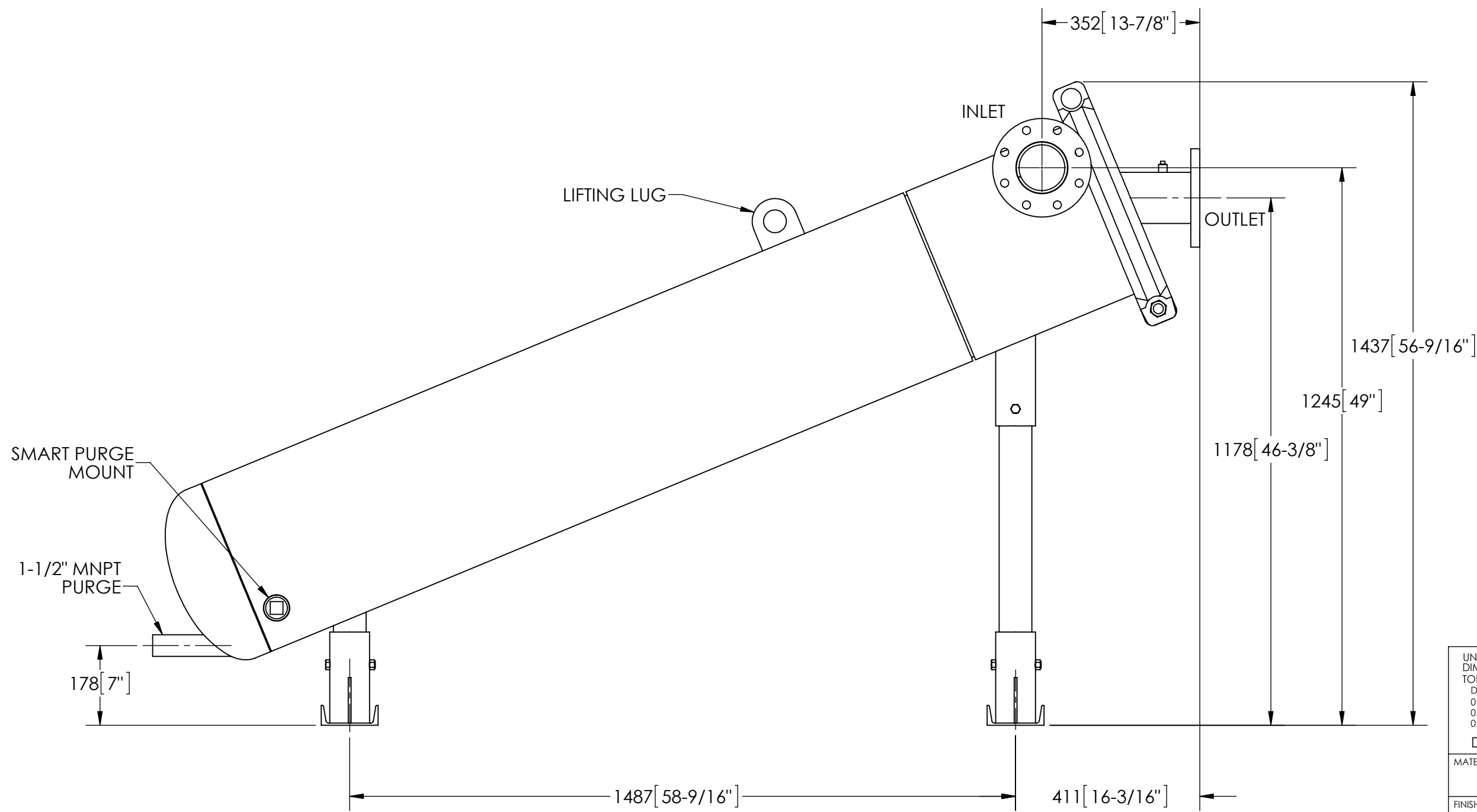
OPTIONAL SMART PURGE

UNIT SHOWN WITH OPTIONAL SMART PURGE ASSEMBLY INSTALLED (ORDER SEPARATELY)



OPTIONAL FLANGED SPOOL

MODEL FS-04/DIN (AVAILABLE SEPARATELY) REQUIRED FOR REMOVAL OF TOP ASSEMBLY



UNLESS OTHERWISE SPECIFIED: DIMENSIONS ARE IN: mm (INCHES) TOLERANCES ARE: DECIMALS ANGLES 0 ± 0.5 ± 1/4° 0.0 ± 0.5 0.00 ± 0.05

DO NOT SCALE DRAWING

MATERIAL CLASS P-1 MILD CARBON STEEL

FINISH LAKOS BLUE

ENGINEERED FOR: DIN FLANGE	
APPROVALS	DATE
DRAWN Cag	10/3/14
ENGR -	-
MFG -	-
WORK ORDER	QTY.

LAKOS CLAUDE LAVAL CORP. FRESNO, CALIFORNIA 93727 WWW.LAKOS.COM

TITLE eJPX-0350-L/DIN, SEPARATOR 0350 eJPX LOW PRO DIN FLG, CARBON STEEL

SCALE C	MODEL NO.	DWG NO. 137167-DIN	REV. 01
SCALE 1:10	EST. WT. 860 lb	SHEET 1 OF 1	

DWG NO. 137167-DIN SH 1 REV. 01