

EXCEPT AS OTHERWISE PROVIDED BY CONTRACT, THIS DRAWING AND SPECIFICATIONS SHALL NOT BE REPRODUCED, COPIED OR USED AS THE BASIS FOR MANUFACTURE OR SALE OF MATTER DEPICTED HEREIN WITHOUT THE EXPRESSED WRITTEN PERMISSION OF THE CLAUDE LAVAL CORPORATION, OR ITS ASSIGNEES.

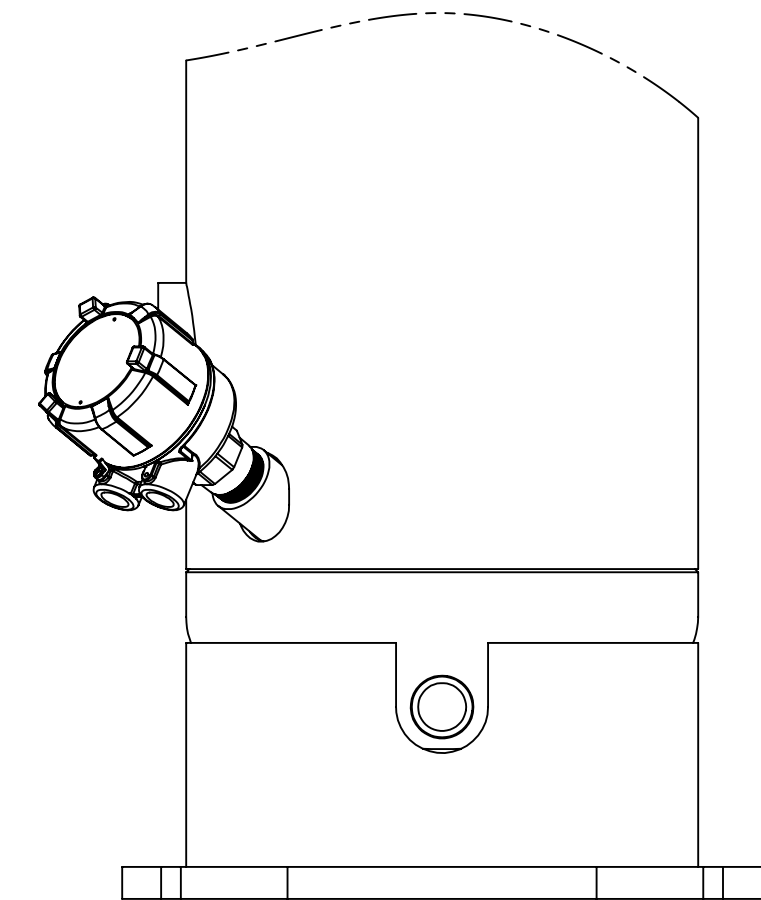
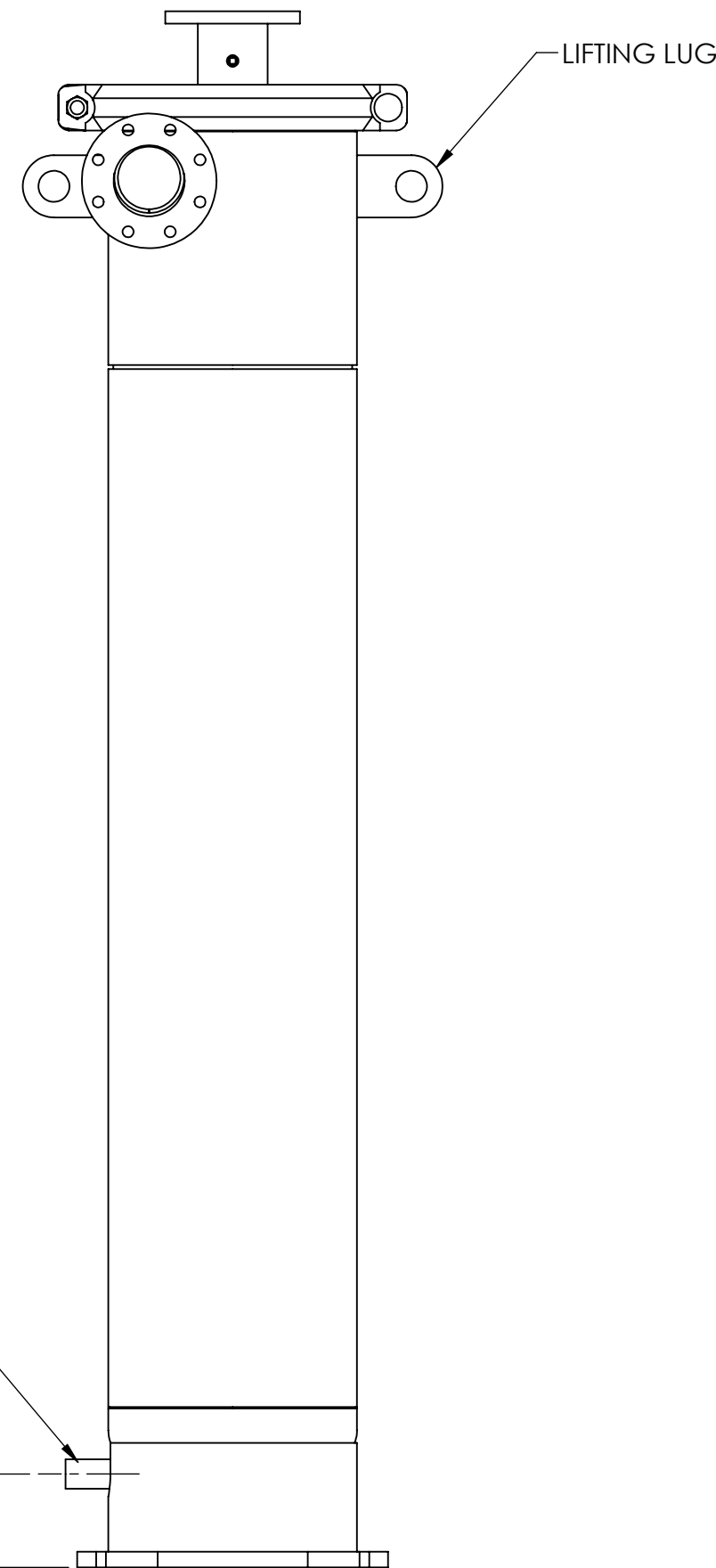
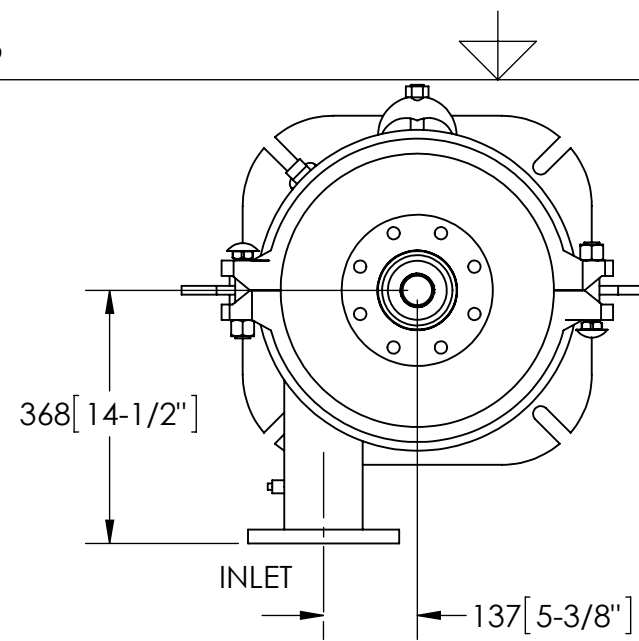
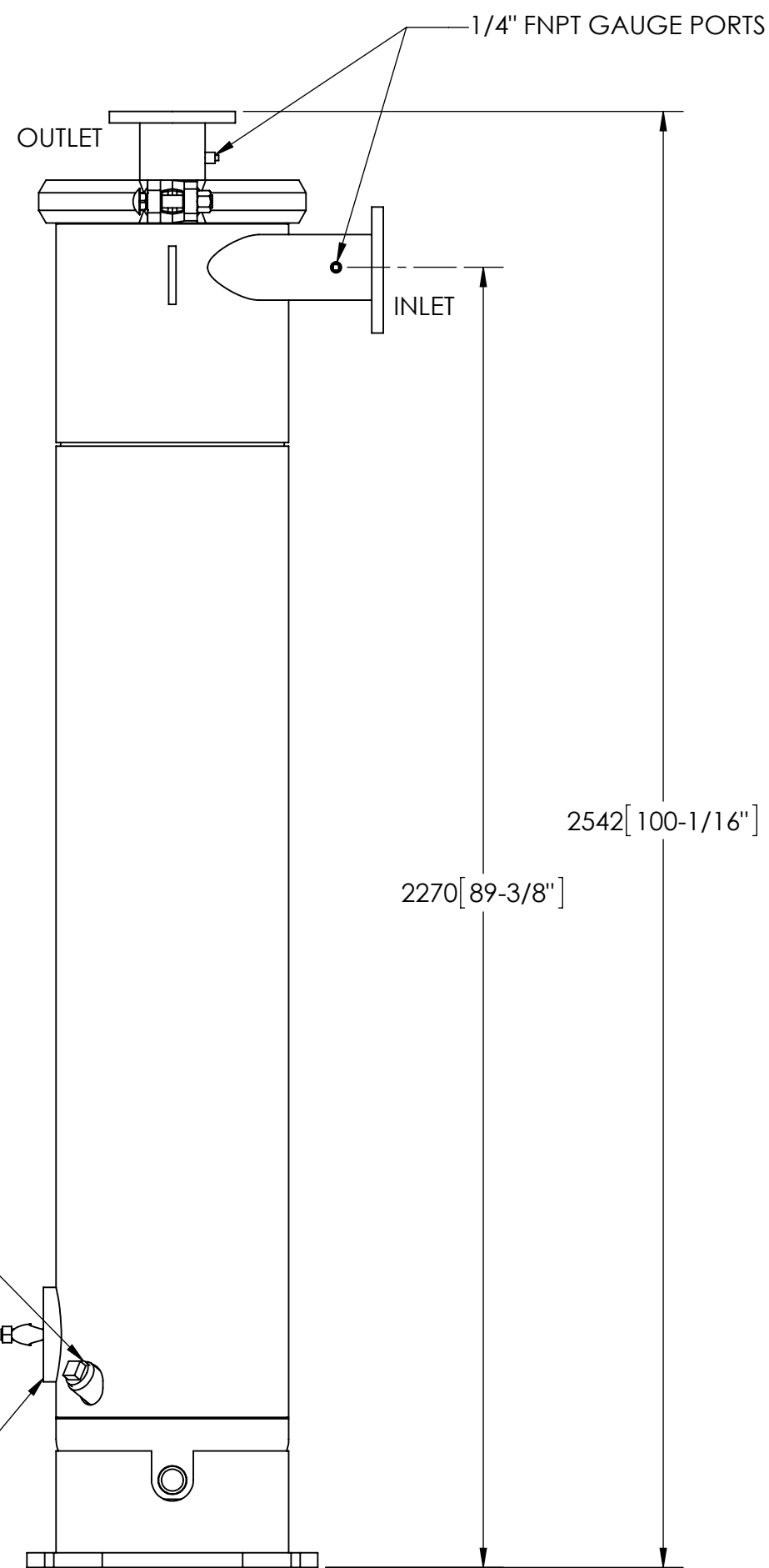
NOTES:

1. INLET & OUTLET FLANGES ARE 4" (100 mm) PN16 TYPE 01 PER EN 1092-1 REQUIRING 8X M16 BOLTS (BOLTS AND GASKETS NOT INCLUDED).
2. MAXIMUM PRESSURE: 16 bar (232 PSI).
3. MAXIMUM TEMPERATURE: 110°C (230°F).
4. PRESSURE LOSS: 0.34-1.24 bar AT RATED FLOW.
5. RATED FLOW: 79.5-147.6 m³/hr.
6. APPROXIMATE DRY WEIGHT: 391 kg.
7. FINISH: LAKOS BLUE (EXTERIOR ONLY).

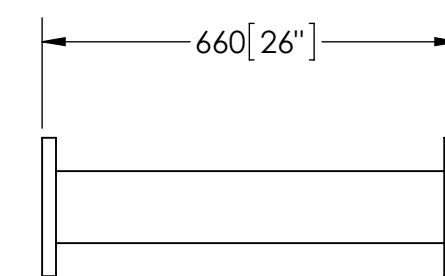
REVISION HISTORY				
ZONE	REV	DESCRIPTION	DATE	APPROVED

SUBMITTAL DRAWING

This drawing is submitted for spatial consideration only. Do not pre-plumb to these dimensions.



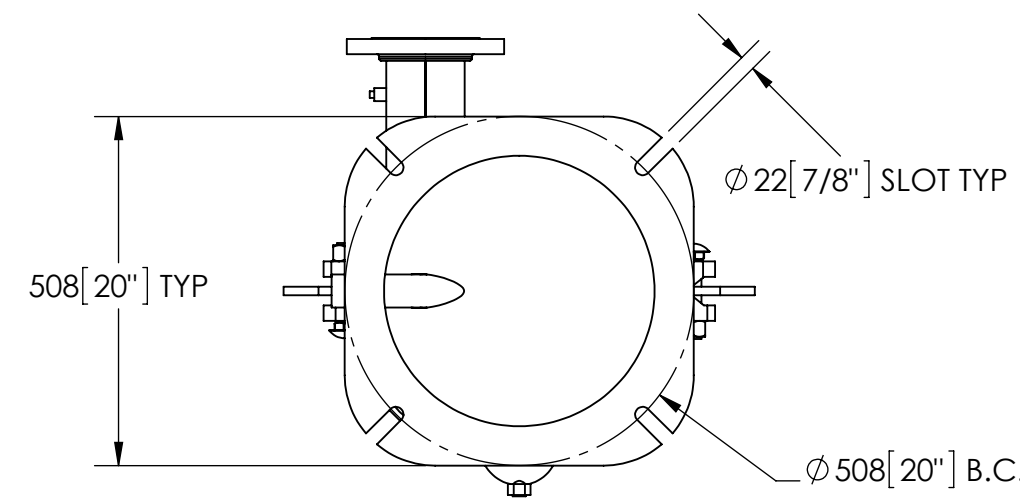
OPTIONAL SMART PURGE
UNIT SHOWN WITH OPTIONAL SMART PURGE SENSOR ASSEMBLY INSTALLED (ORDER SEPARATELY)



OPTIONAL FLANGED SPOOL
MODEL FS-04/DIN (AVAILABLE SEPARATELY)
REQUIRED FOR REMOVAL OF TOP ASSEMBLY

SMART PURGE MOUNT
CLEANOUT HANDHOLE

1-1/2" MNPT PURGE
152 [6"]



THIS DRAWING HAS BEEN GENERATED AND IS MAINTAINED BY A CAD SYSTEM. CHANGES SHALL ONLY BE INCORPORATED AS DIRECTED BY AN APPROVED ENGINEERING CHANGE ORDER (ECO). PAPER COPIES ARE UNCONTROLLED.

UNLESS OTHERWISE SPECIFIED: DIMENSIONS ARE IN: mm (INCHES) TOLERANCES ARE:		ENGINEERED FOR: DIN FLANGES	
DECIMALS	ANGLES	APPROVALS	DATE
0 ± 0.5	± 1/4°	DRAWN Cag	10/2/14
0.0 ± 0.5		ENGR -	-
0.00 ± 0.05		MFG -	-
DO NOT SCALE DRAWING		WORK ORDER	QTY.
MATERIAL CLASS P-1 MILD CARBON STEEL			
FINISH LAKOS BLUE			

TITLE		eJPX-0350-V/DIN, SEPARATOR	
TITLE		0350 eJPX VERT DIN FLG, CARBON STEEL	
SIZE	MODEL NO.	DWG NO.	REV.
C		136186-DIN	01
SCALE	EST. WT.	SHEET	1 OF 1
1:12	862 lb		

LAKOS. CLAUDE LAVAL CORP.
FRESNO, CALIFORNIA 93727
WWW.LAKOS.COM

DWG NO. 136186-DIN
SHEET 1
REV. 01