

EXCEPT AS OTHERWISE PROVIDED BY CONTRACT, THIS DRAWING AND SPECIFICATIONS SHALL NOT BE REPRODUCED, COPIED OR USED AS THE BASIS FOR MANUFACTURE OR SALE OF MATTER DEPICTED HEREIN WITHOUT THE EXPRESSED WRITTEN PERMISSION OF THE CLAUDE LAVAL CORPORATION, OR ITS ASSIGNEES.

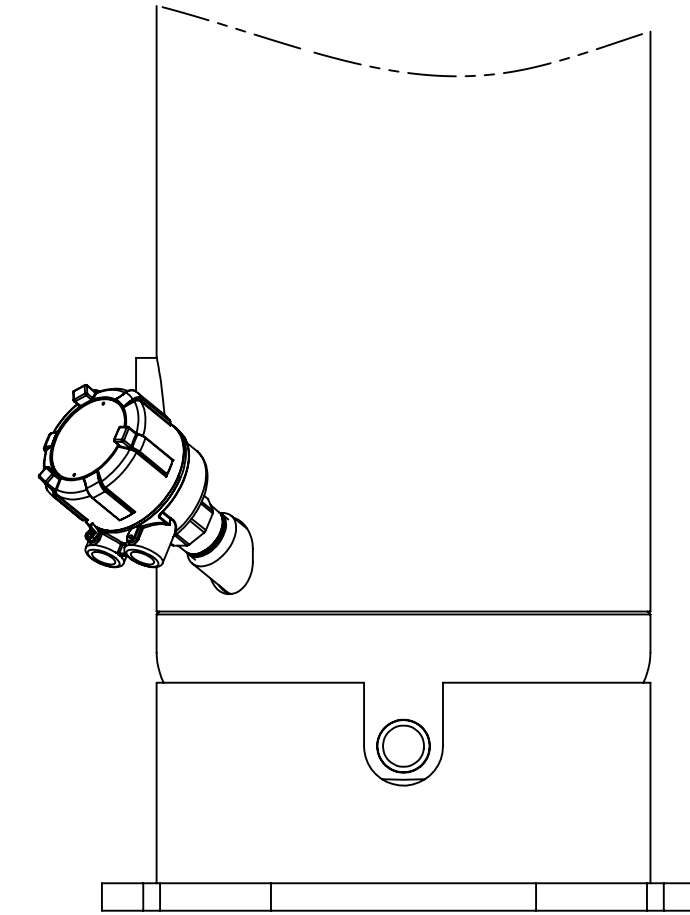
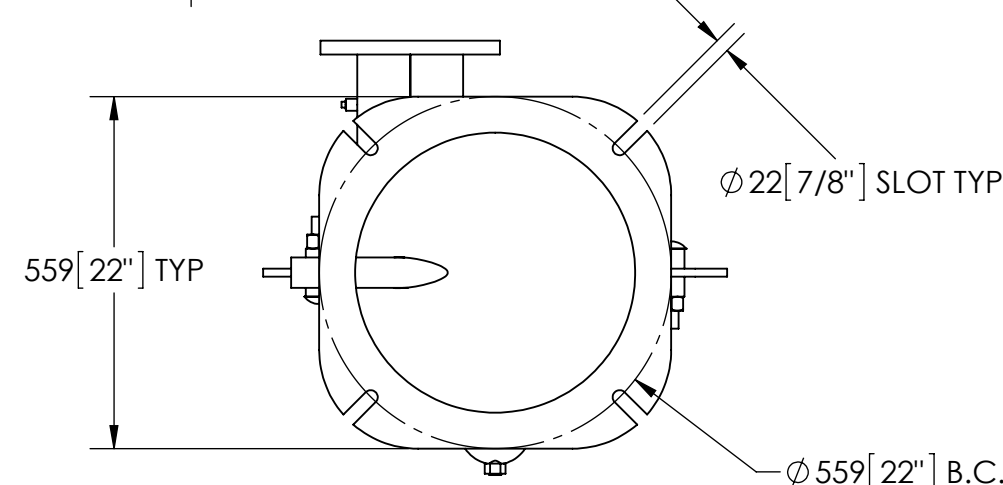
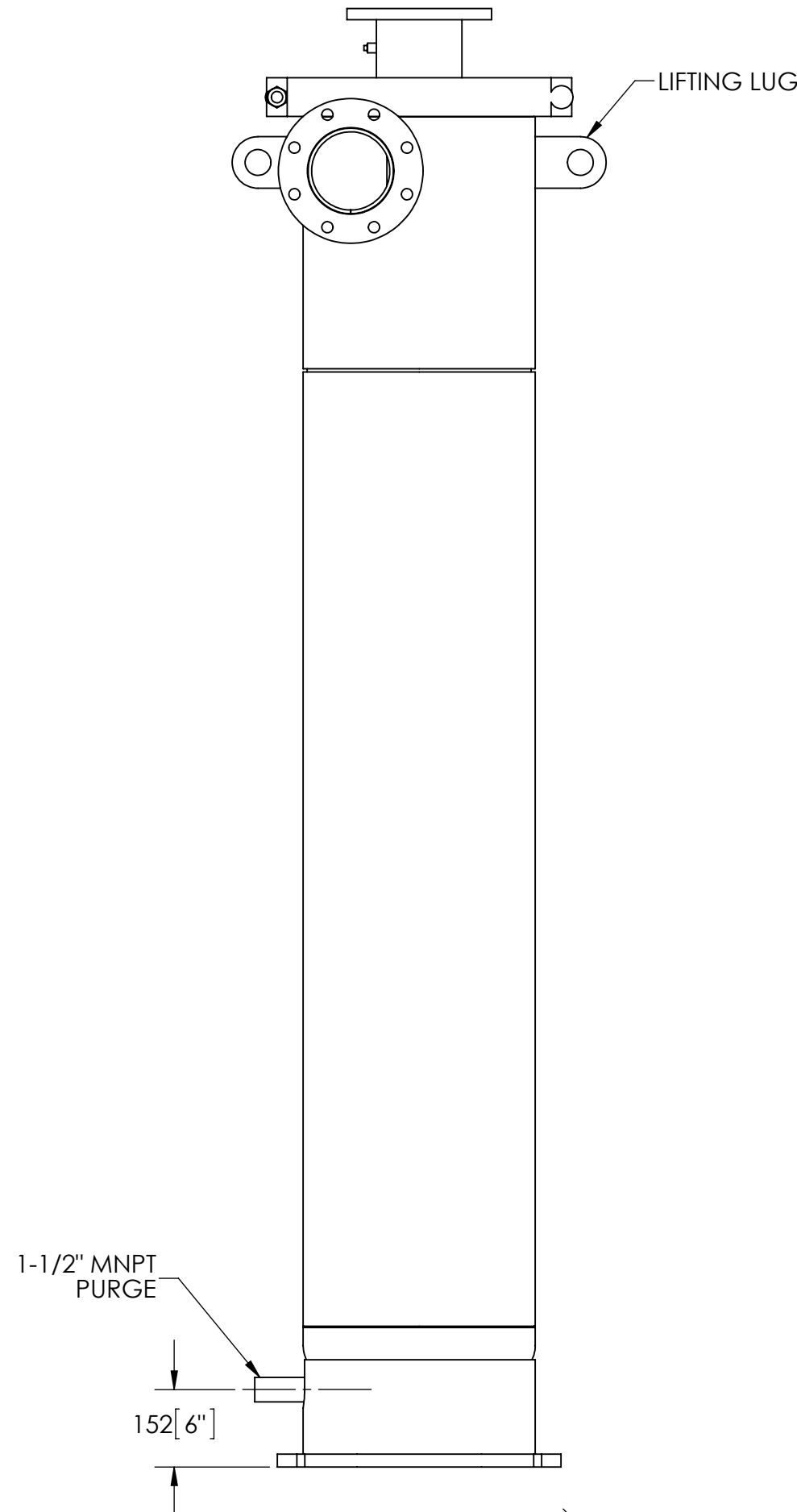
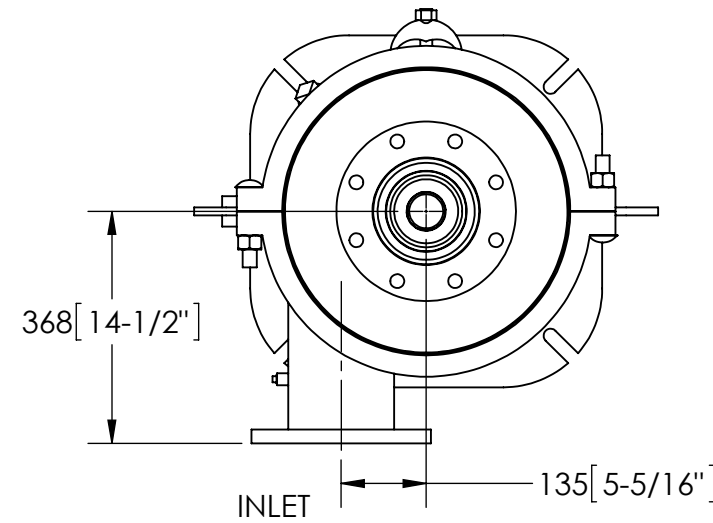
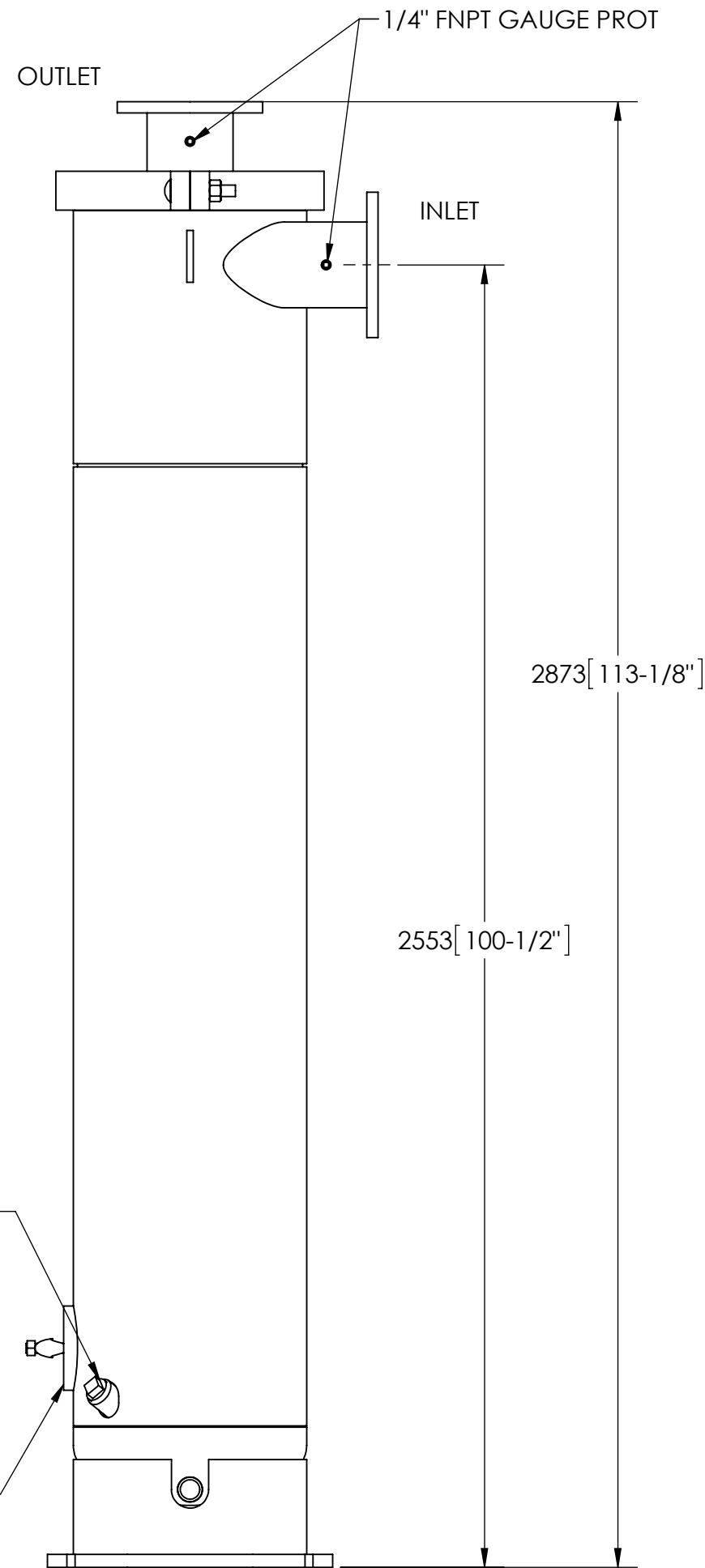
NOTES:

1. INLET & OUTLET FLANGES ARE 6" (150 mm) PN10 TYPE 01 PER EN 1092-1 REQUIRING 8X M20 BOLTS (BOLTS AND GASKETS NOT INCLUDED).
2. MAXIMUM PRESSURE: 16 bar (232 psi).
3. MAXIMUM TEMPERATURE: 110°C (230°F).
4. PRESSURE LOSS: 0.34-1.24 bar AT RATED FLOW.
5. RATED FLOW: 96.5-186.2 m<sup>3</sup>/hr.
6. APPROXIMATE DRY WEIGHT: 509 kg.
7. FINISH: LAKOS BLUE (EXTERIOR ONLY).

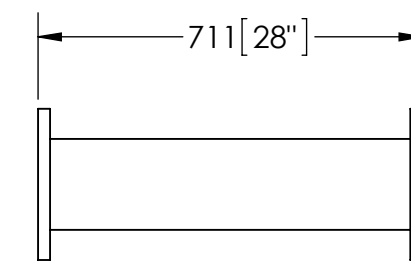
REVISIONS				
ECN	REV.	DESCRIPTION	DATE	APPROVED

### SUBMITTAL DRAWING

This drawing is submitted for spatial consideration only. Do not pre-plumb to these dimensions.



**OPTIONAL SMART PURGE**  
UNIT SHOWN WITH OPTIONAL SMART PURGE SENSOR ASSEMBLY INSTALLED (ORDER SEPARATELY)



**OPTIONAL FLANGED SPOOL**  
MODEL FS-06/DIN (AVAILABLE SEPARATELY)  
REQUIRED FOR REMOVAL OF TOP ASSEMBLY

THIS DRAWING HAS BEEN GENERATED AND IS MAINTAINED BY A CAD SYSTEM. CHANGES SHALL ONLY BE INCORPORATED AS DIRECTED BY AN APPROVED ENGINEERING CHANGE ORDER (ECO). PAPER COPIES ARE UNCONTROLLED.

UNLESS OTHERWISE SPECIFIED: DIMENSIONS ARE IN: mm (INCHES) TOLERANCES ARE: DECIMALS      ANGLES 0 ± 0.5           ± 1/4" 0.0 ± 0.5 0.00 ± 0.05	ENGINEERED FOR: DIN FLANGES	
	APPROVALS	DATE
	DRAWN      Cag	10/2/14
	ENGR        -	-
MATERIAL    CLASS P-1 MILD CARBON STEEL	ENGR        -	-
FINISH        LAKOS BLUE	MFG         -	-
	WORK ORDER	QTY.

<b>LAKOS</b>		CLAUDE LAVAL CORP. FRESNO, CALIFORNIA 93727 WWW.LAKOS.COM	
TITLE eJPX-0425-V/DIN, SEPERATOR 0425 eJPX VERT DIN FLG, CARBON STEEL			
SIZE C	MODEL NO.	DWG NO. 137168-DIN	REV. 01
SCALE 1:14	EST. WT. 1122 lb	SHEET 1 OF 1	