

EXCEPT AS OTHERWISE PROVIDED BY CONTRACT, THIS DRAWING AND SPECIFICATIONS SHALL NOT BE REPRODUCED, COPIED OR USED AS THE BASIS FOR MANUFACTURE OR SALE OF MATTER DEPICTED HEREIN WITHOUT THE EXPRESSED WRITTEN PERMISSION OF THE CLAUDE LAVAL CORPORATION, OR ITS ASSIGNEES.

NOTES:

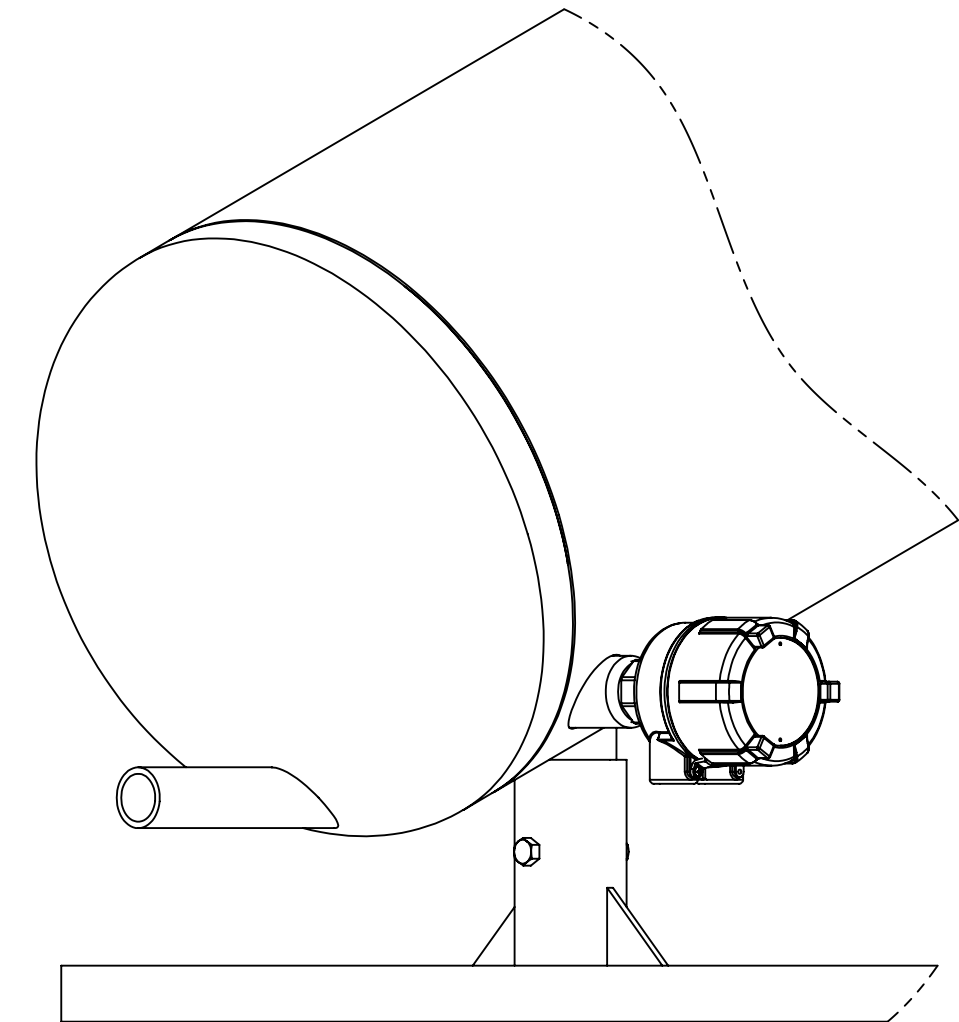
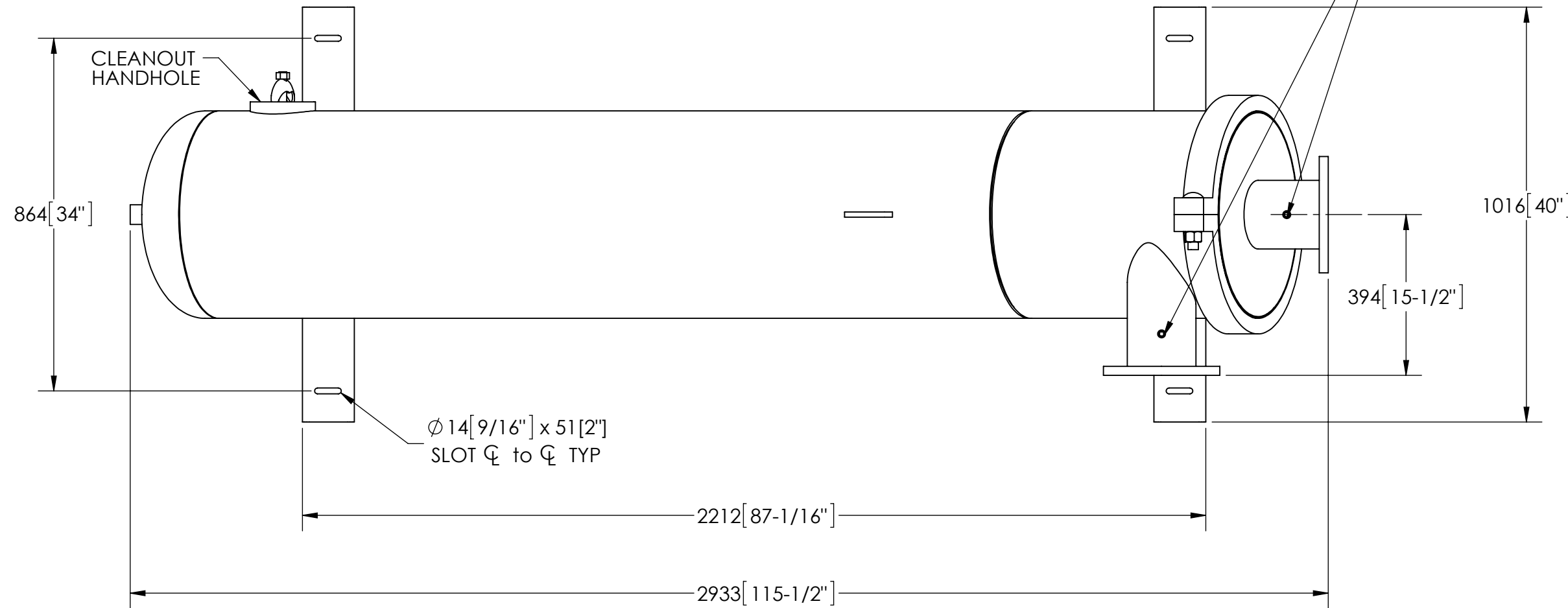
1. INLET & OUTLET FLANGES ARE 6" (150 mm) PN16 TYPE 01 PER EN 1092-1 REQUIRING 8X M20 BOLTS (BOLTS AND GASKETS NOT INCLUDED).
2. MAXIMUM PRESSURE: 16 bar (232 psi).
3. MAXIMUM TEMPERATURE: 110°C (230°F).
4. PRESSURE LOSS: .34-1.24 bar AT RATED FLOW.
5. RATED FLOW: 127.2-233.9 m³/hr.
6. APPROXIMATE DRY WEIGHT: 609 kg.
7. FINISH: LAKOS BLUE (EXTERIOR ONLY).

THIS DRAWING HAS BEEN GENERATED AND IS MAINTAINED BY A CAD SYSTEM. CHANGES SHALL ONLY BE INCORPORATED AS DIRECTED BY AN APPROVED ENGINEERING CHANGE ORDER (ECO). PAPER COPIES ARE UNCONTROLLED.

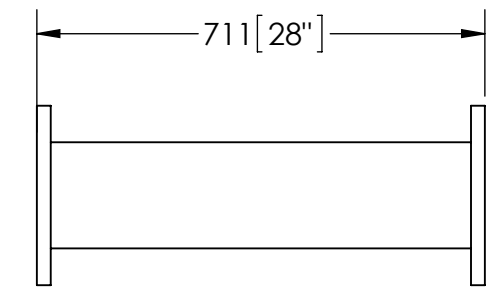
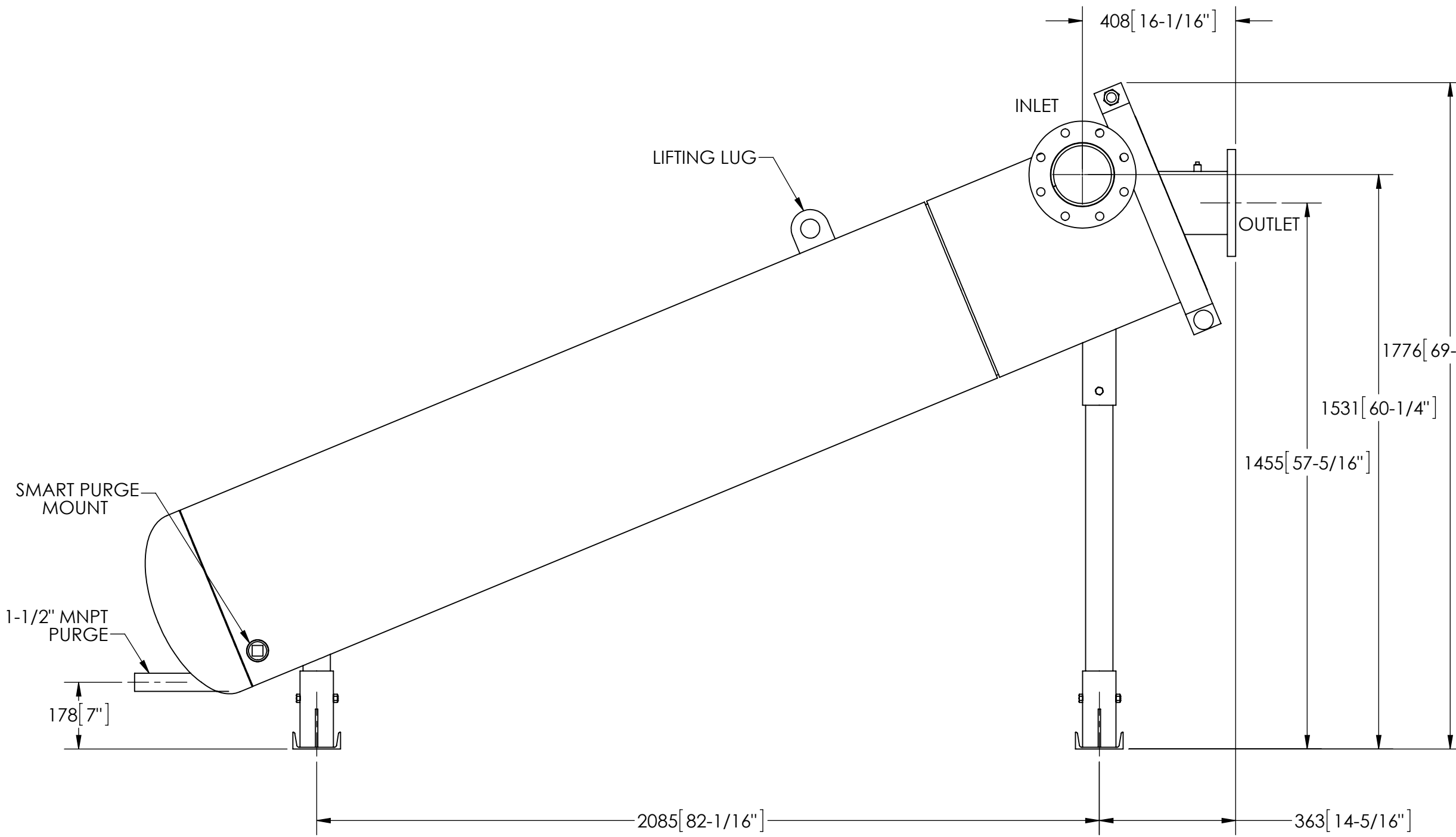
| REVISIONS | | | | |
|-----------|------|-------------|------|----------|
| ECN | REV. | DESCRIPTION | DATE | APPROVED |
| | | | | |

SUBMITTAL DRAWING

This drawing is submitted for spatial consideration only. Do not pre-plumb to these dimensions.



OPTIONAL SMART PURGE
UNIT SHOWN WITH OPTIONAL SMART PURGE SENSOR ASSEMBLY INSTALLED (ORDER SEPARATELY)



FLANGED SPOOL
MODEL FS-06/DIN (AVAILABLE SEPARATELY) REQUIRED FOR REMOVAL OF TOP ASSEMBLY

| | | | |
|---|---------------------------------------|---------|--|
| <small>UNLESS OTHERWISE SPECIFIED: DIMENSIONS ARE IN: mm (INCHES) TOLERANCES ARE:</small> DECIMALS ANGLES 0 ± .6 ± 1/4° 0.0 ± 0.5 0.00 ± 0.05 DO NOT SCALE DRAWING | ENGINEERED FOR: DIN FLANGES | | CLAUDE LAVAL CORP. FRESNO, CALIFORNIA 93727 WWW.LAKOS.COM |
| | APPROVALS | DATE | |
| | DRAWN Cag | 10/3/14 | |
| | ENGR - | - | |
| MATERIAL CLASS P-1 MILD CARBON STEEL | ENGR | - | TITLE eJPX-0560-L/DIN, SEPARATOR 0560 eJPX LOW PRO DIN FLG, CARBON STEEL |
| FINISH LAKOS BLUE | MFG | - | SIZE MODEL NO. |
| | WORK ORDER | - | DWG NO. 137071-DIN |
| | | QTY. | REV. 01 |
| | | | SCALE 1:12 EST. WT. 1343 lb SHEET 1 OF 1 |

DWG. NO. 137071-DIN SHEET 1 REV. 01