

EXCEPT AS OTHERWISE PROVIDED BY CONTRACT, THIS DRAWING AND SPECIFICATIONS SHALL NOT BE REPRODUCED, COPIED OR USED AS THE BASIS FOR MANUFACTURE OR SALE OF MATTER DEPICTED HEREIN WITHOUT THE EXPRESSED WRITTEN PERMISSION OF THE CLAUDE LAVAL CORPORATION, OR ITS ASSIGNEES.

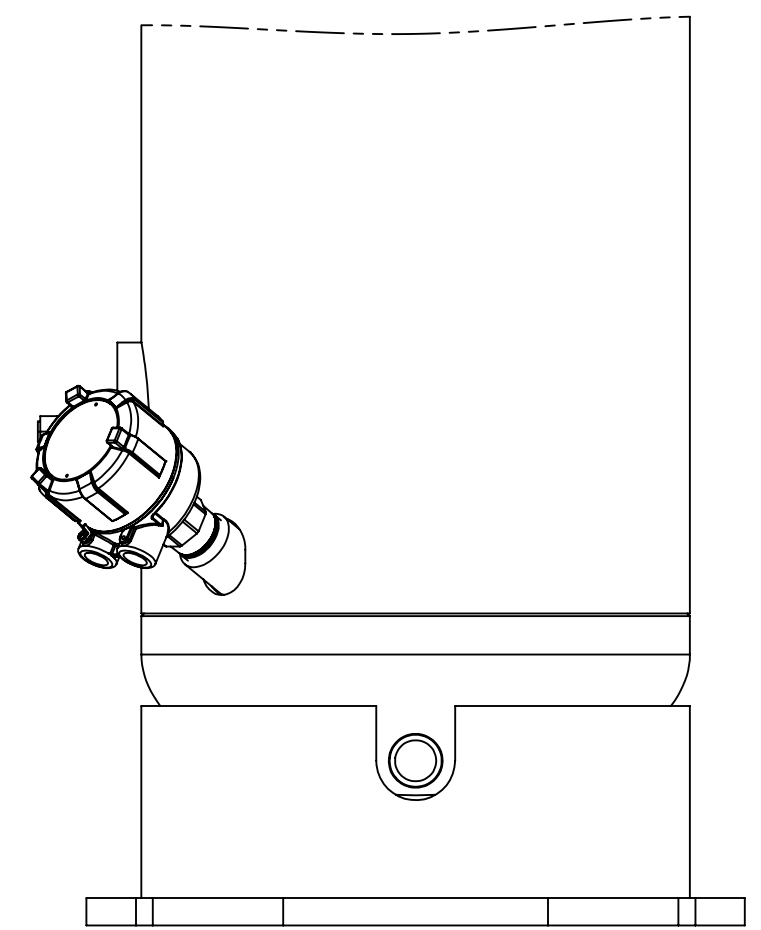
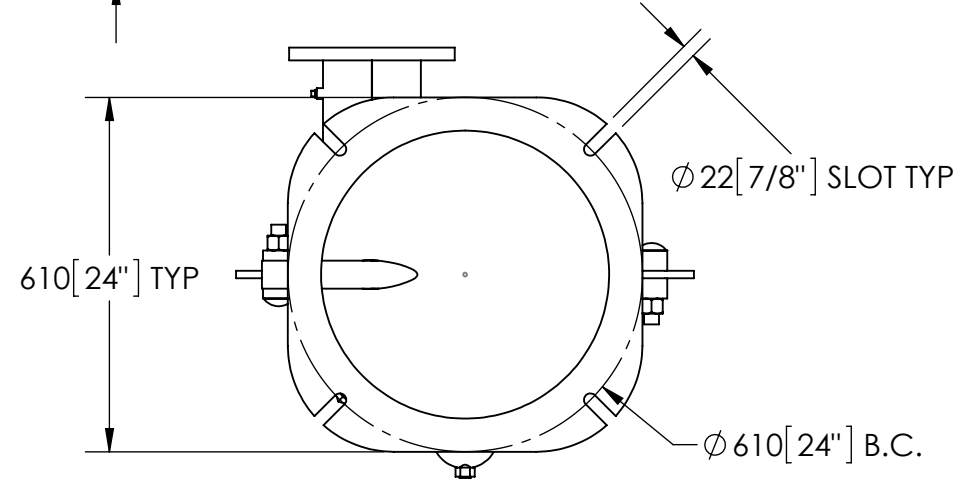
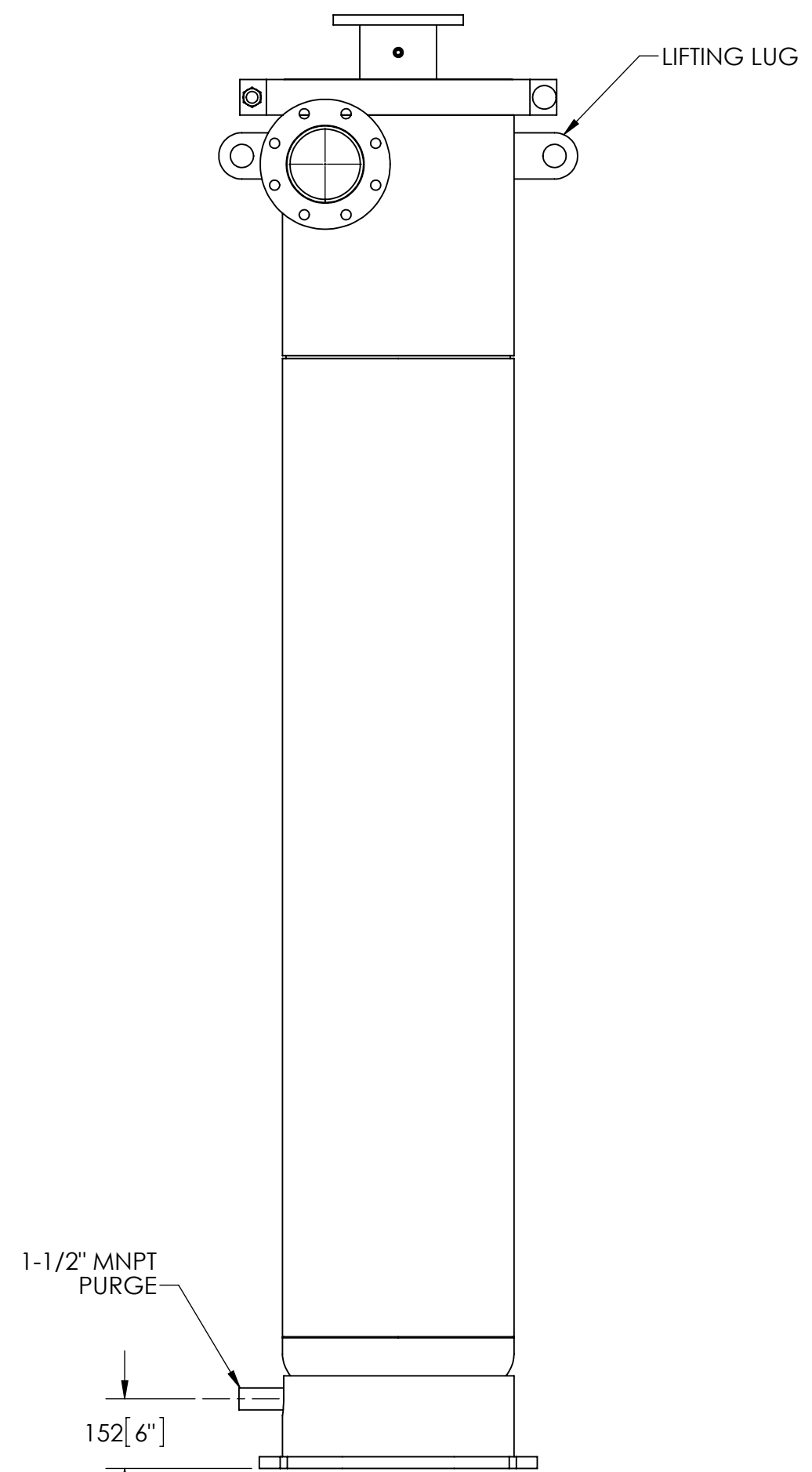
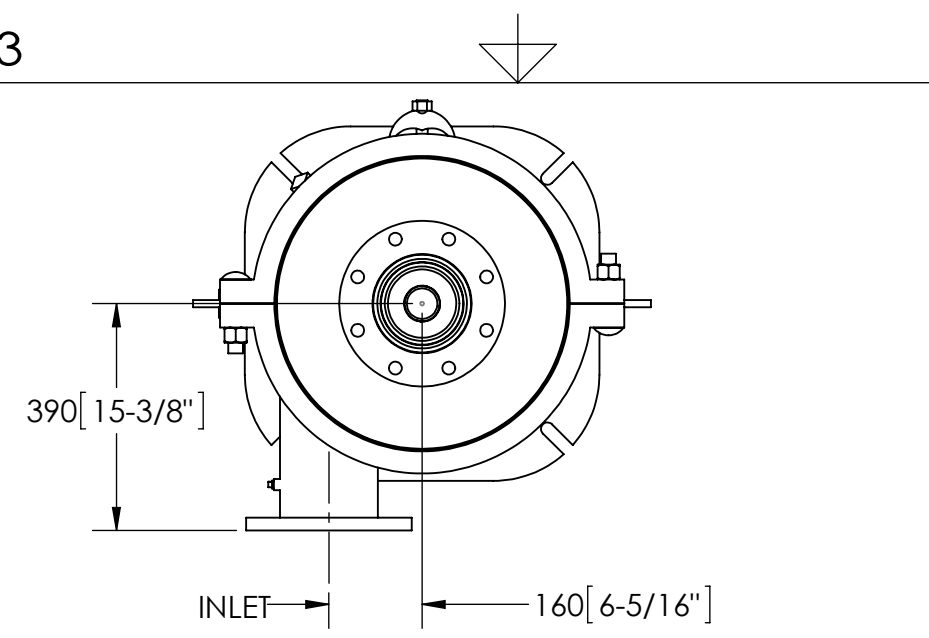
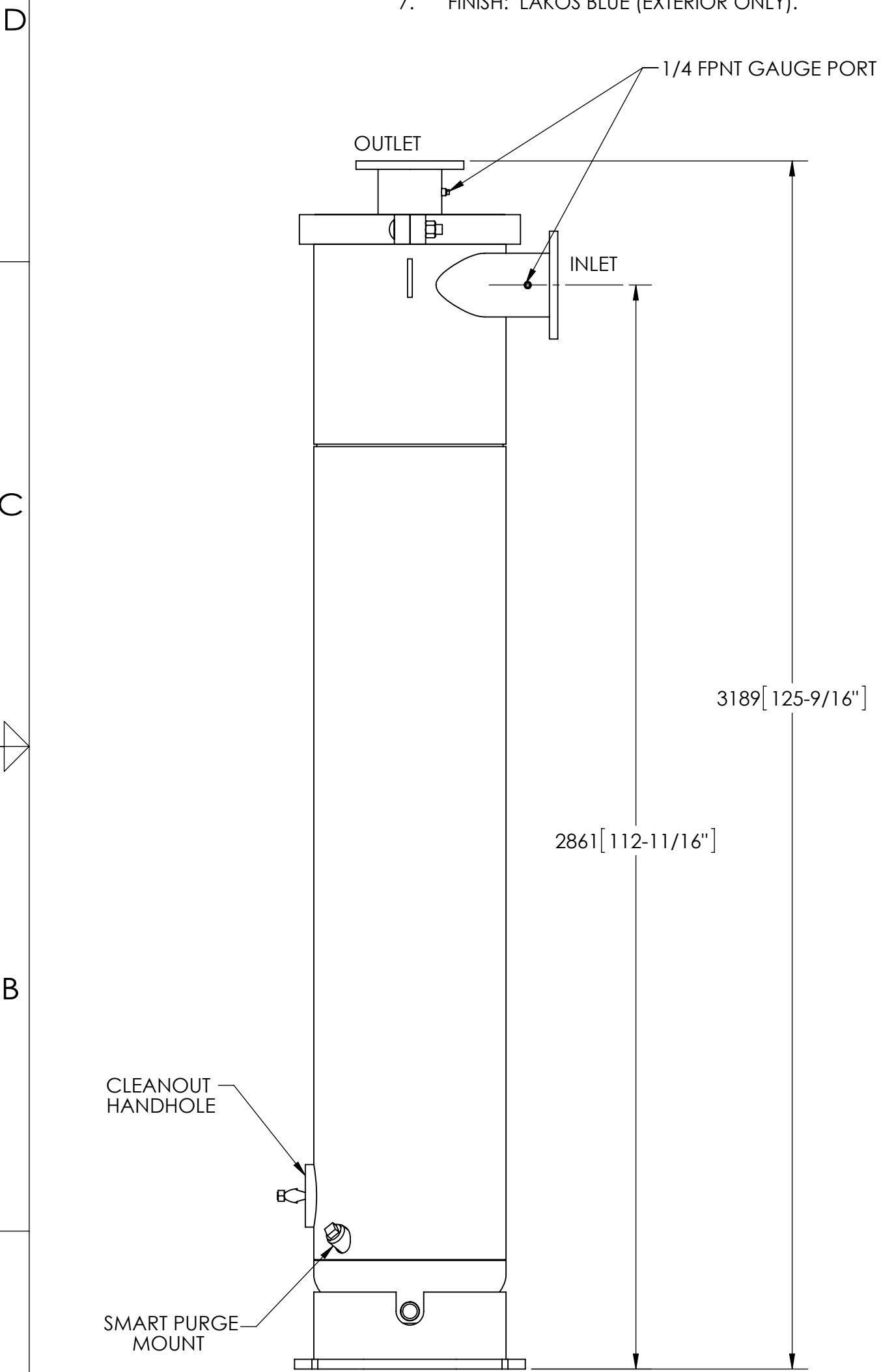
NOTES:

1. INLET & OUTLET FLANGES ARE 6" (150 mm) PN10 TYPE 01 PER EN 1092-1 REQUIRING 8X M20 BOLTS (BOLTS AND GASKETS NOT INCLUDED).
2. MAXIMUM PRESSURE: 16 bar (232 PSI).
3. MAXIMUM TEMPERATURE: 110°C (230°F).
4. PRESSURE LOSS: .34-1.24 bar AT RATED FLOW.
5. RATED FLOW: 127.2-233.9 m³/hr.
6. APPROXIMATE DRY WEIGHT: 619 kg.
7. FINISH: LAKOS BLUE (EXTERIOR ONLY).

REVISIONS				
ECN	REV.	DESCRIPTION	DATE	APPROVED

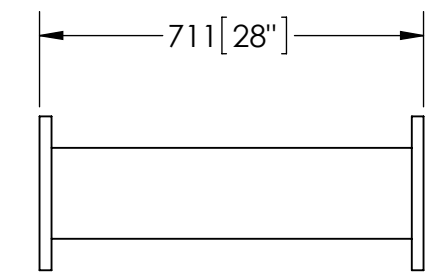
SUBMITTAL DRAWING

This drawing is submitted for spatial consideration only. Do not pre-plumb to these dimensions.



OPTIONAL SMART PURGE

UNIT SHOWN WITH SMART PURGE SENSOR ASSEMBLY INSTALLED (ORDER SEPARATELY)



OPTIONAL FLANGED SPOOL

MODEL FS-06/DIN (AVAILABLE SEPARATELY) REQUIRED FOR REMOVAL OF TOP ASSEMBLY

CLEANOUT HANDHOLE
SMART PURGE MOUNT

THIS DRAWING HAS BEEN GENERATED AND IS MAINTAINED BY A CAD SYSTEM. CHANGES SHALL ONLY BE INCORPORATED AS DIRECTED BY AN APPROVED ENGINEERING CHANGE ORDER (ECO). PAPER COPIES ARE UNCONTROLLED.

UNLESS OTHERWISE SPECIFIED: DIMENSIONS ARE IN: mm (INCHES) TOLERANCES ARE: DECIMALS ANGLES 0 ± .6 ± 1/4° 0.0 ± 0.5 0.00 ± 0.05	ENGINEERED FOR: DIN FLANGES	
	APPROVALS	DATE
	DRAWN Cag	10/3/14
	ENGR -	-
MATERIAL CLASS P-1 MILD CARBON STEEL	ENGR -	-
FINISH LAKOS BLUE	MFG -	-
	WORK ORDER	QTY.

LAKOS		CLAUDE LAVAL CORP. FRESNO, CALIFORNIA 93727 WWW.LAKOS.COM	
TITLE eJPX-0560-V/DIN, SEPARATOR 0560 eJPX VERT DIN FLG, CARBON STEEL			
SIZE C	MODEL NO.	DWG NO. 137169-DIN 01	REV.
SCALE 1:14	EST. WT. 1366 lb	SHEET 1 OF 1	

DWG NO. 137169-DIN
SHEET 1
REV. 01