

EXCEPT AS OTHERWISE PROVIDED BY CONTRACT, THIS DRAWING AND SPECIFICATIONS SHALL NOT BE REPRODUCED, COPIED OR USED AS THE BASIS FOR MANUFACTURE OR SALE OF MATTER DEPICTED HEREIN WITHOUT THE EXPRESSED WRITTEN PERMISSION OF THE CLAUDE LAVAL CORPORATION, OR ITS ASSIGNEES.

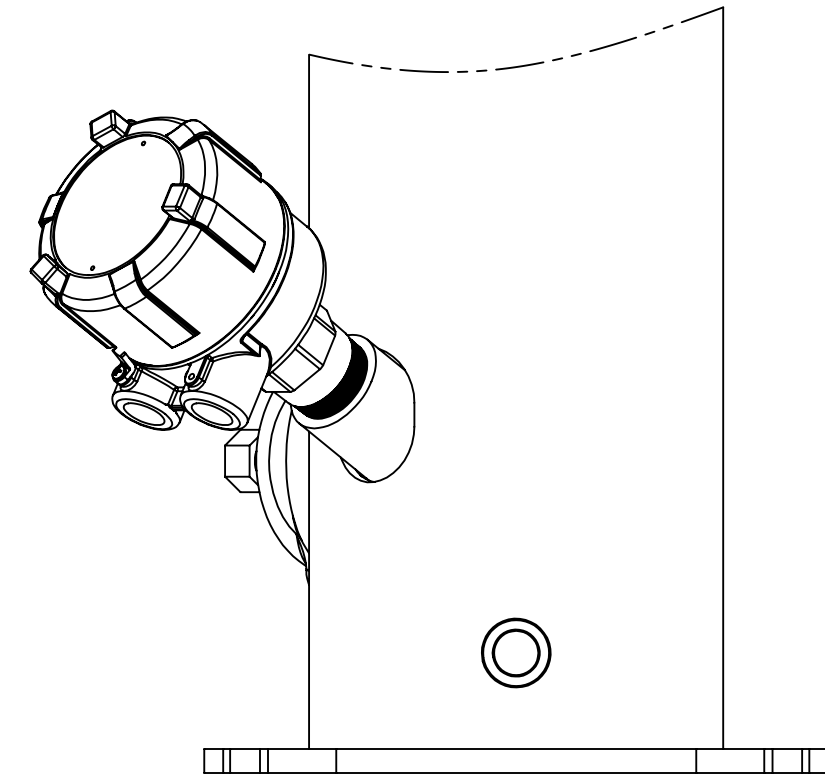
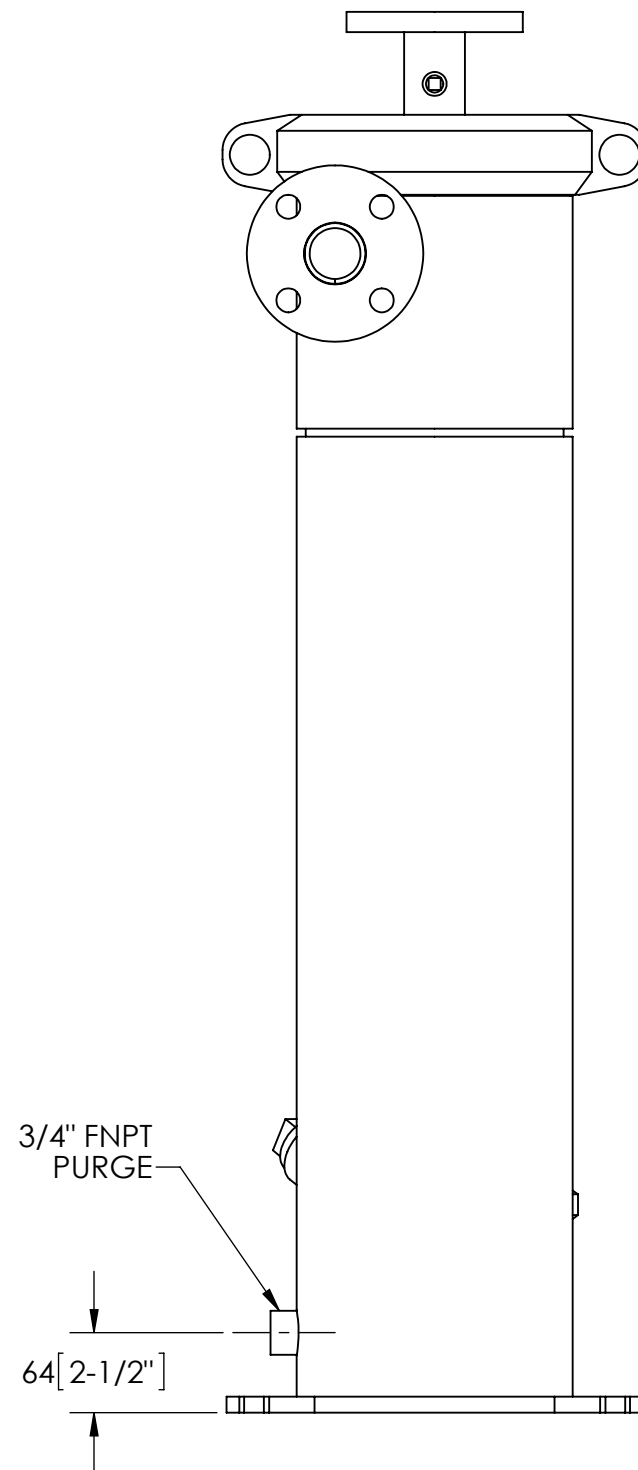
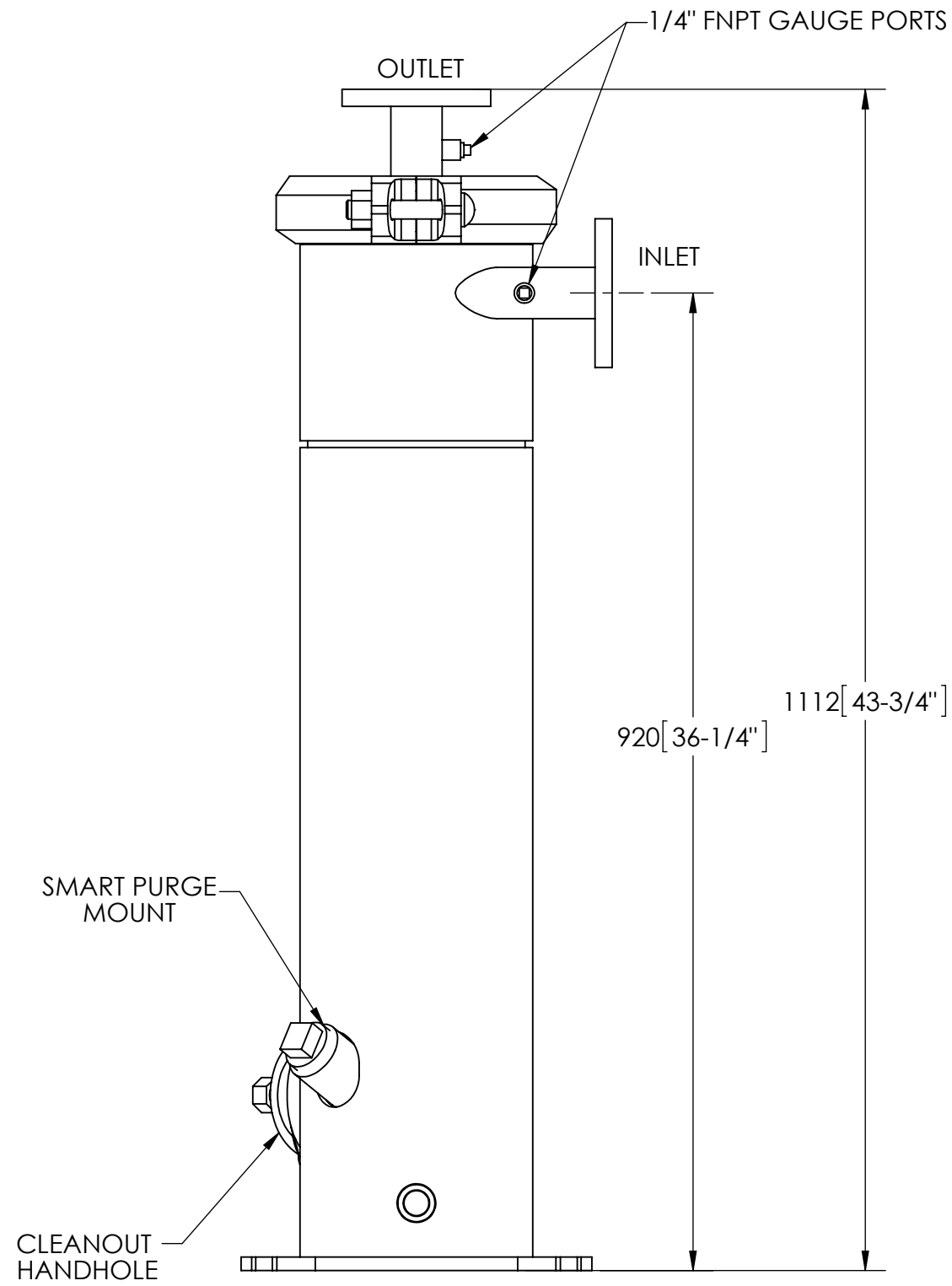
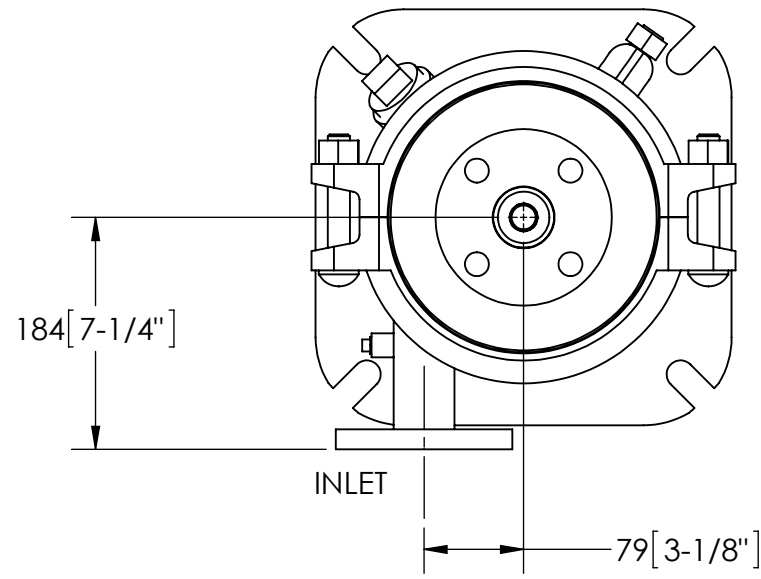
NOTES:

1. INLET & OUTLET FLANGES ARE 1-1/2" (40 mm) 10K PER JIS B2220 REQUIRING 4X M16 BOLTS (BOLTS AND GASKETS NOT INCLUDED).
2. MAXIMUM PRESSURE: 14 bar (203 PSI).
3. MAXIMUM TEMPERATURE: 110°C (230°F).
4. PRESSURE LOSS: 0.34-1.24 bar AT RATED FLOW.
5. RATED FLOW: 12.5-22.7 m<sup>3</sup>/hr.
6. APPROXIMATE DRY WEIGHT: 84 kg.
7. FINISH: LAKOS BLUE (EXTERIOR ONLY).

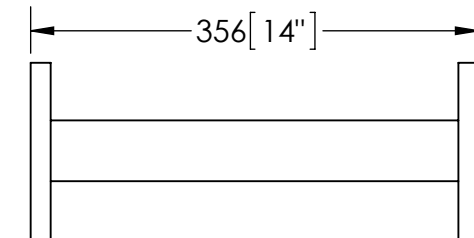
REVISION HISTORY				
ZONE	REV	DESCRIPTION	DATE	APPROVED

**SUBMITTAL DRAWING**

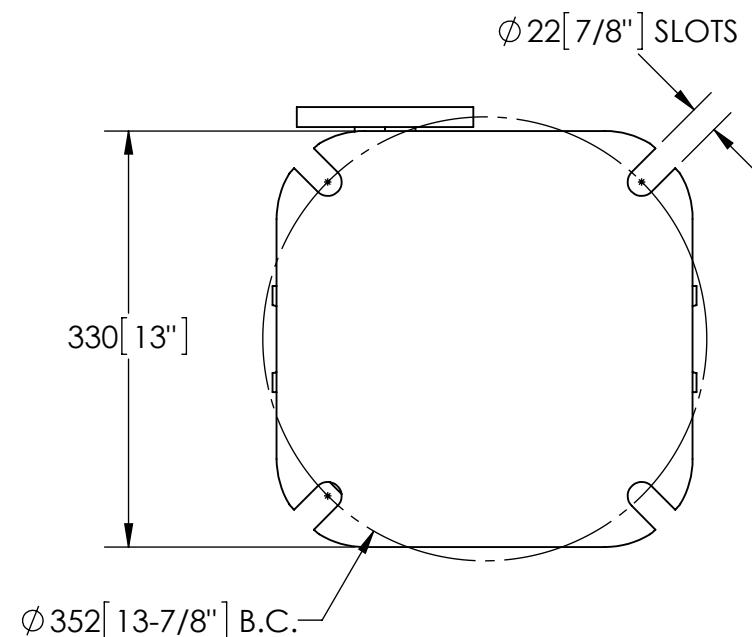
This drawing is submitted for spatial consideration only. Do not pre-plumb to these dimensions.



**OPTIONAL SMART PURGE**  
UNIT SHOWN WITH OPTIONAL SMART PURGE SENSOR ASSEMBLY INSTALLED (ORDER SEPARATELY)



**OPTIONAL FLANGED SPOOL**  
MODEL FS-015/JIS (ORDER SEPARATELY)  
REQUIRED FOR REMOVAL OF TOP ASSEMBLY



THIS DRAWING HAS BEEN GENERATED AND IS MAINTAINED BY A CAD SYSTEM. CHANGES SHALL ONLY BE INCORPORATED AS DIRECTED BY AN APPROVED ENGINEERING CHANGE ORDER (ECO). PAPER COPIES ARE UNCONTROLLED.

UNLESS OTHERWISE SPECIFIED: DIMENSIONS ARE IN: mm (INCHES) TOLERANCES ARE: DECIMALS      ANGLES 0 ± 0.5           ± 1/4° 0.0 ± 0.05	ENGINEERED FOR: <b>JIS FLANGES</b>		<b>LAKOS</b> CLAUDE LAVAL CORP. FRESNO, CALIFORNIA 93727 WWW.LAKOS.COM		
	APPROVALS	DATE			
	DO NOT SCALE DRAWING	DRAWN      Cag	9/30/14	TITLE <b>eJPX-0055-V/JIS, SEPARATOR</b> <b>0055 eJPX VERT JIS FLG, CARBON STEEL</b>	
	MATERIAL      CLASS P-1 MILD CARBON STEEL	ENGR      -	-		
FINISH      LAKOS BLUE	MFG      -	-	SIZE      MODEL NO.	DWG NO. <b>137159-JIS</b>	REV. <b>01</b>
	WORK ORDER	QTY.	SCALE      1:6	EST. WT.      190 lb	SHEET      1 OF 1

DWG. NO. 137159-JIS SHEET REV. 01