

EXCEPT AS OTHERWISE PROVIDED BY CONTRACT, THIS DRAWING AND SPECIFICATIONS SHALL NOT BE REPRODUCED, COPIED OR USED AS THE BASIS FOR MANUFACTURE OR SALE OF MATTER DEPICTED HEREIN WITHOUT THE EXPRESSED WRITTEN PERMISSION OF THE CLAUDE LAVAL CORPORATION, OR ITS ASSIGNEES.

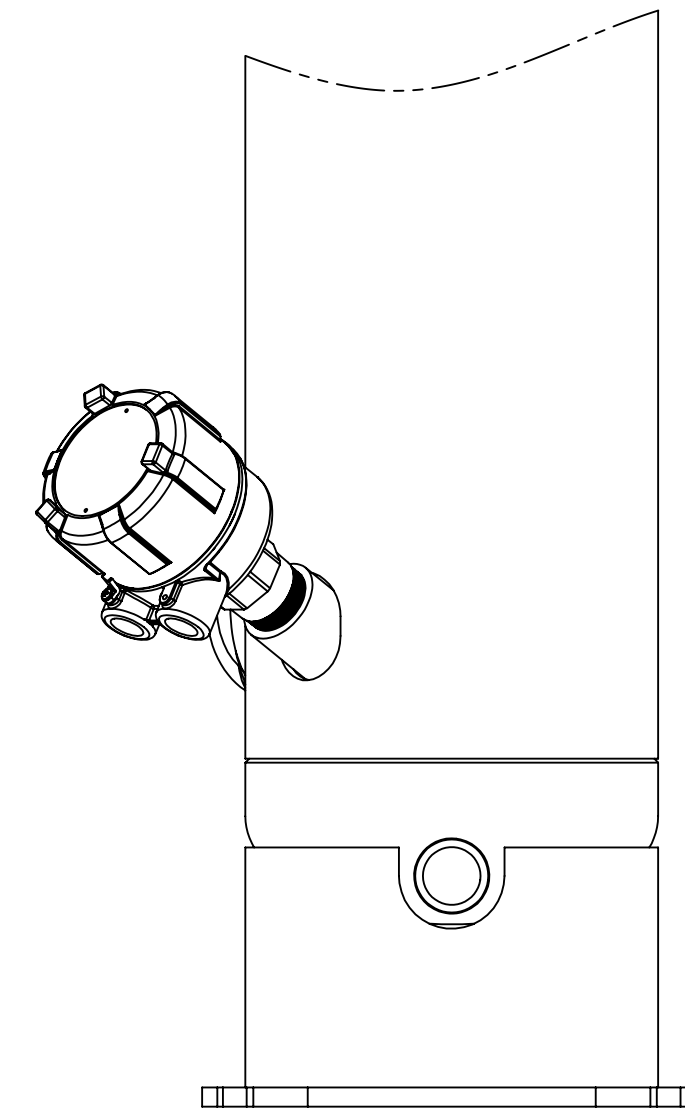
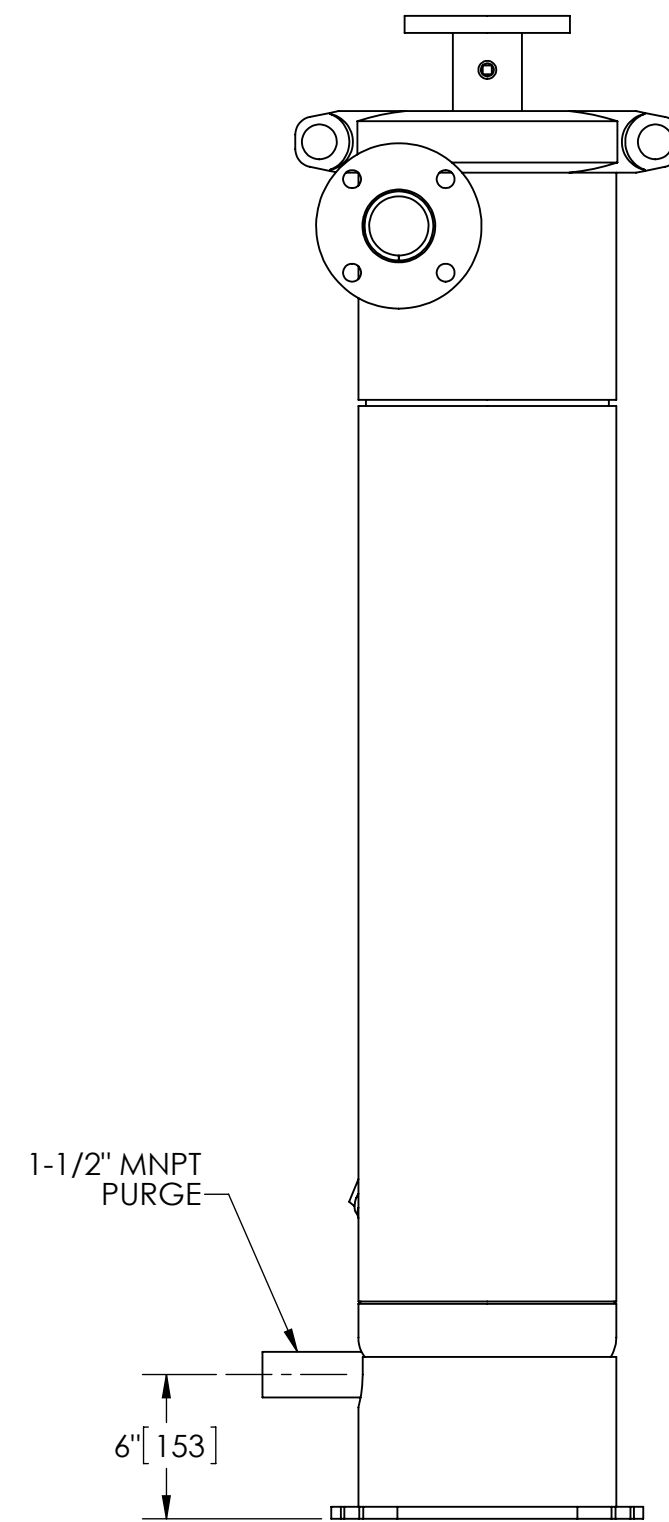
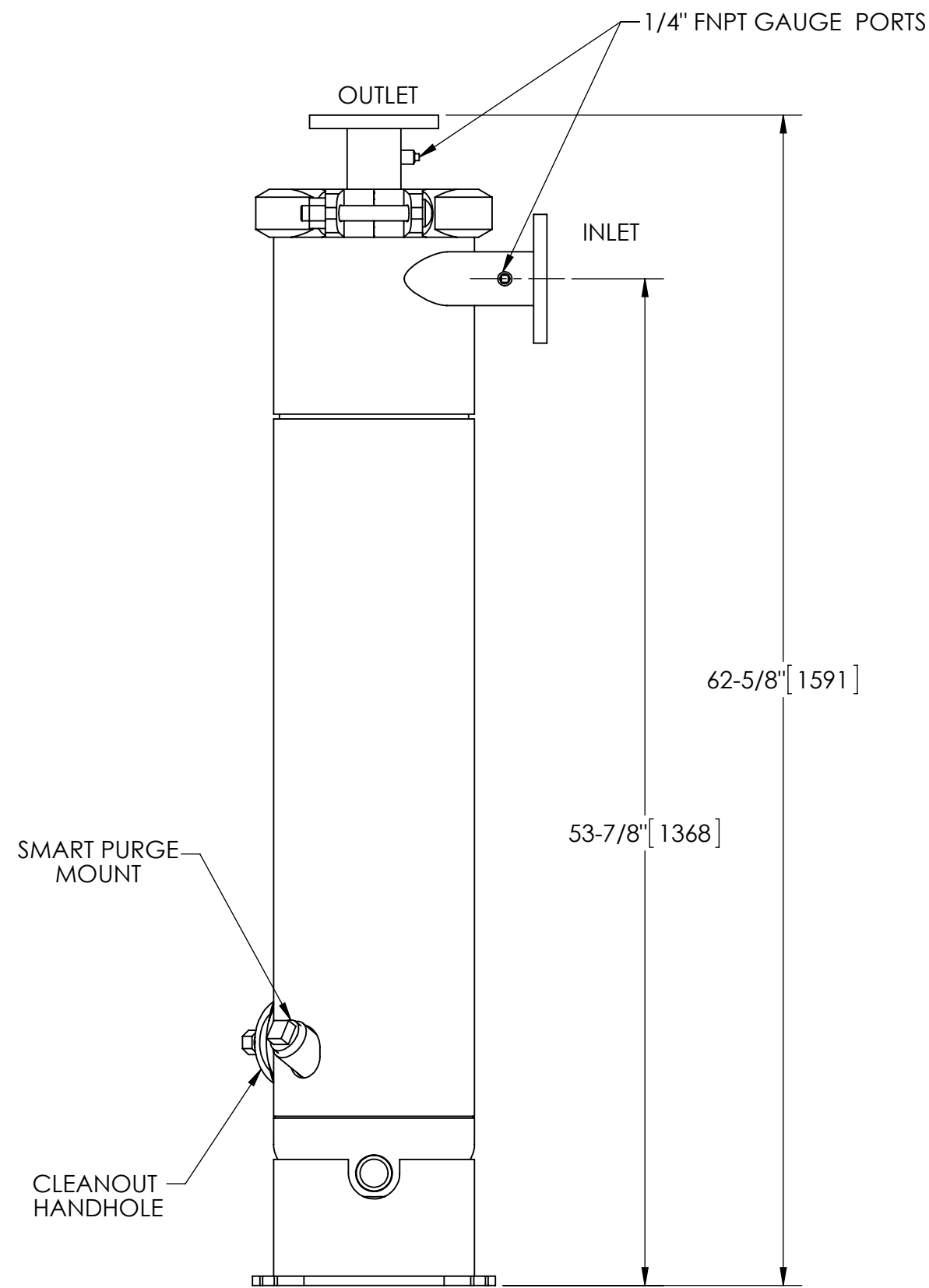
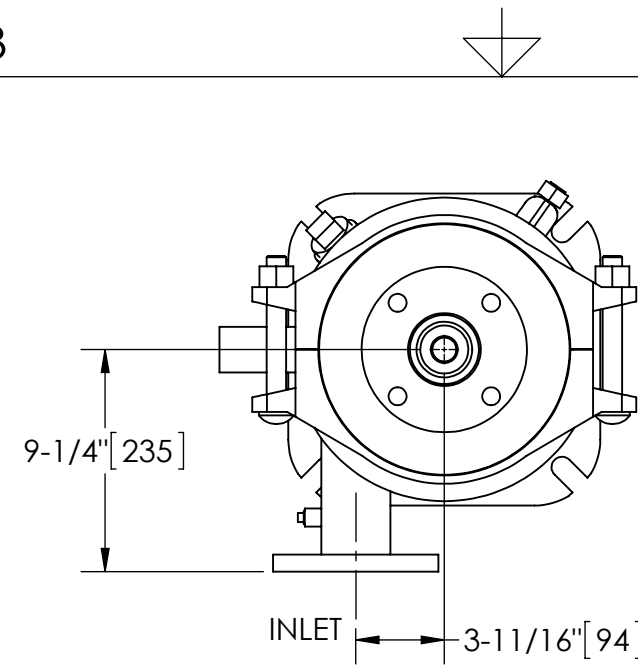
NOTES:

1. INLET & OUTLET FLANGES ARE 2-1/2" (65 mm) 10K FF PER JIS B2220 REQUIRING 4X M16 BOLTS (BOLTS AND GASKETS NOT INCLUDED).
2. MAXIMUM PRESSURE: 14 bar (203 psi).
3. MAXIMUM TEMPERATURE: 110°C (230°F).
4. PRESSURE LOSS: .34-1.24 bar AT RATED FLOW.
5. RATED FLOW: 25.0-45.4 m³/hr.
6. APPROXIMATE DRY WEIGHT: 156 kg.
7. FINISH: LAKOS BLUE (EXTERIOR ONLY).

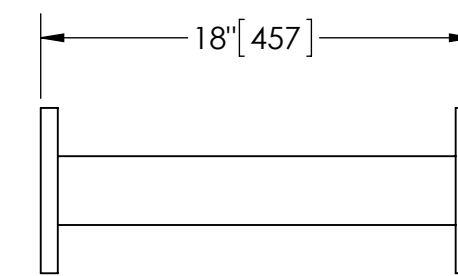
REVISION HISTORY				
ZONE	REV	DESCRIPTION	DATE	APPROVED

SUBMITTAL DRAWING

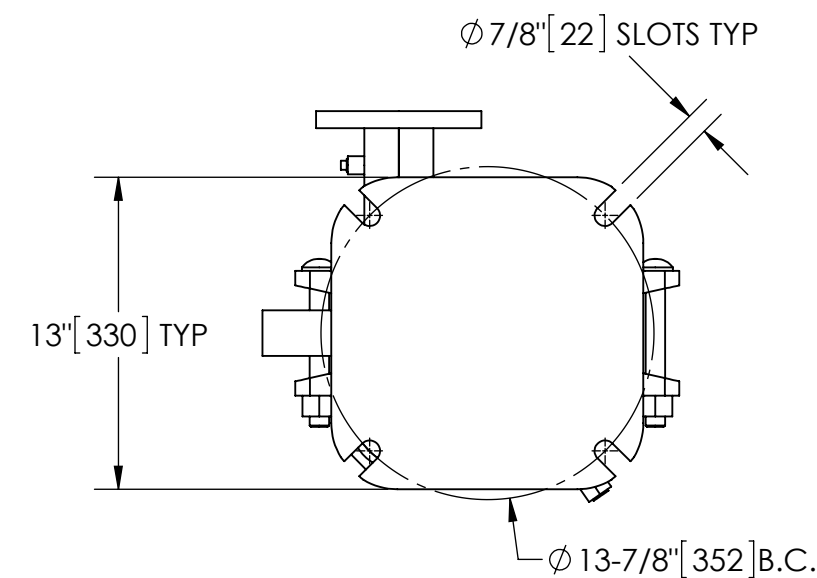
This drawing is submitted for spatial consideration only. Do not pre-plumb to these dimensions.



OPTIONAL SMART PURGE
UNIT SHOWN WITH OPTIONAL SMART PURGE SENSOR ASSEMBLY INSTALLED (ORDER SEPARATELY)



OPTIONAL FLANGED SPOOL
MODEL FS-025/JIS (AVAILABLE SEPARATELY)
REQUIRED FOR REMOVAL OF TOP ASSEMBLY



THIS DRAWING HAS BEEN GENERATED AND IS MAINTAINED BY A CAD SYSTEM. CHANGES SHALL ONLY BE INCORPORATED AS DIRECTED BY AN APPROVED ENGINEERING CHANGE ORDER (ECO). PAPER COPIES ARE UNCONTROLLED.

UNLESS OTHERWISE SPECIFIED: DIMENSIONS ARE IN: mm (INCHES) TOLERANCES ARE: DECIMALS ANGLES 0 ± .6 ± 1/4° 0.0 ± 0.5 0.00 ± 0.05		ENGINEERED FOR: JIS FLANGES		LAKOS CLAUDE LAVAL CORP. FRESNO, CALIFORNIA 93727 WWW.LAKOS.COM	
DO NOT SCALE DRAWING		APPROVALS	DATE	TITLE	
MATERIAL CLASS P-1 MILD CARBON STEEL		DRAWN Cag	9/30/14	eJPX-0110-V/JIS, SEPARATOR 0110 eJPX VERT JIS FLG, CARBON STEEL	
FINISH LAKOS BLUE		ENGR		SIZE MODEL NO.	DWG NO.
		WORK ORDER	QTY.	C 137161-JIS	01
				SCALE 1:8	EST. WT. 342 lb SHEET 1 OF 1