

EXCEPT AS OTHERWISE PROVIDED BY CONTRACT, THIS DRAWING AND SPECIFICATIONS SHALL NOT BE REPRODUCED, COPIED OR USED AS THE BASIS FOR MANUFACTURE OR SALE OF MATTER DEPICTED HEREIN WITHOUT THE EXPRESSED WRITTEN PERMISSION OF THE CLAUDE LAVAL CORPORATION, OR ITS ASSIGNEES.

NOTES:

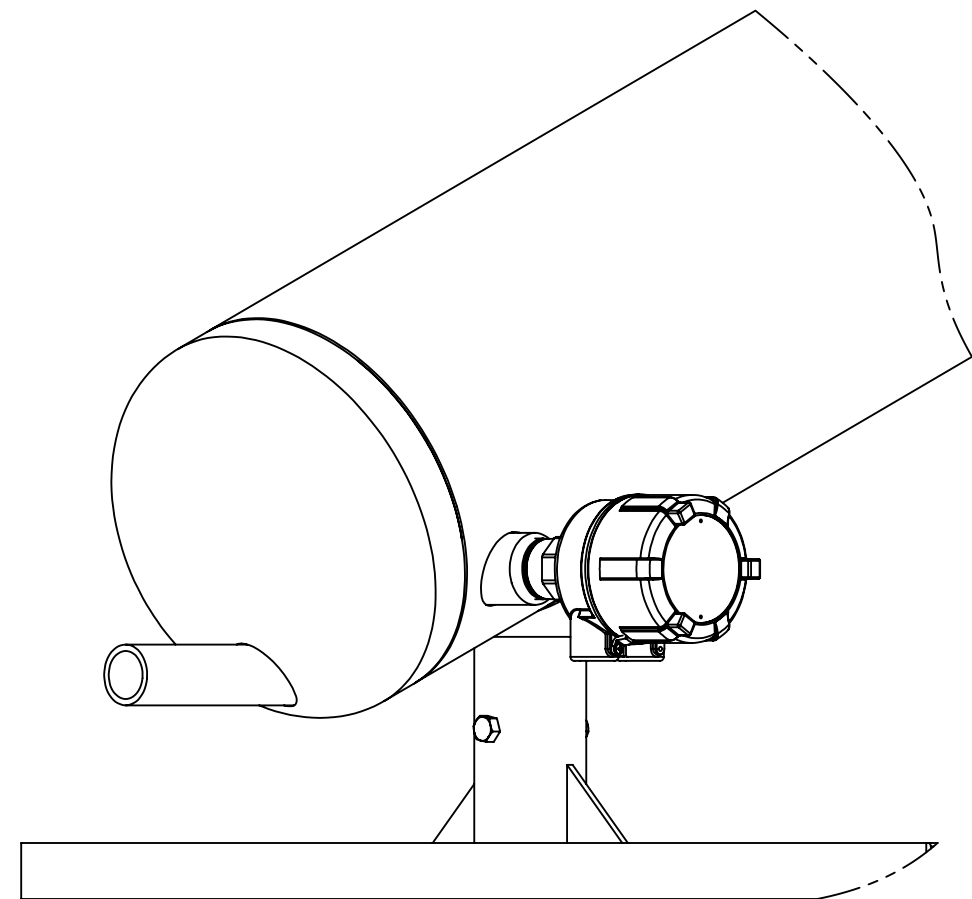
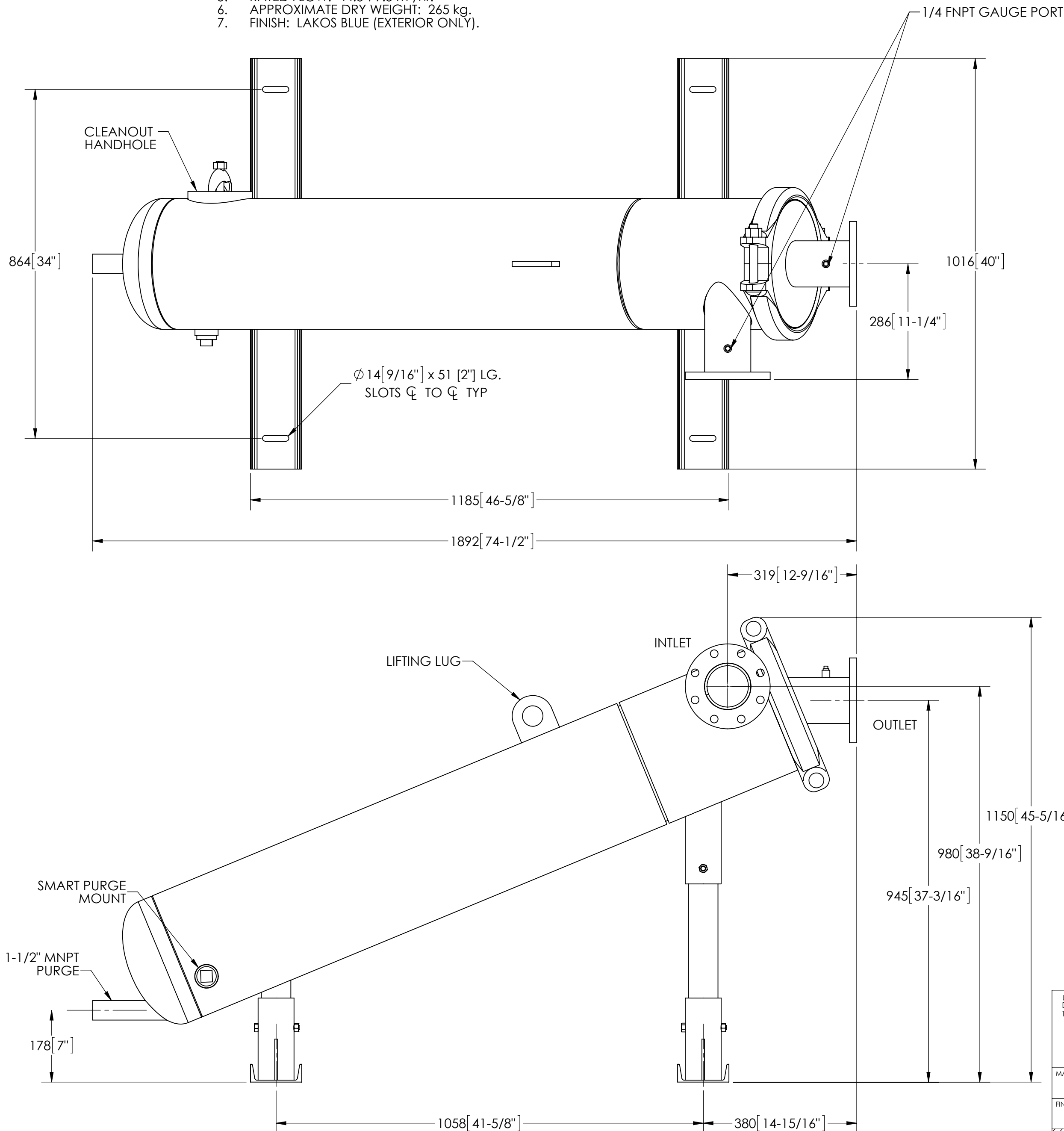
1. INLET & OUTLET FLANGES ARE 4" (100 mm) 10K FF PER JIS B2220 REQUIRING 8X M16 BOLTS (BOLTS AND GASKETS NOT INCLUDED).
2. MAXIMUM PRESSURE: 14 bar (203 PSI).
3. MAXIMUM TEMPERATURE: 110°C (230°F).
4. PRESSURE LOSS: 0.34-1.24 bar AT RATED FLOW.
5. RATED FLOW: 44.3-79.5 m³/hr.
6. APPROXIMATE DRY WEIGHT: 265 kg.
7. FINISH: LAKOS BLUE (EXTERIOR ONLY).

THIS DRAWING HAS BEEN GENERATED AND IS MAINTAINED BY A CAD SYSTEM. CHANGES SHALL ONLY BE INCORPORATED AS DIRECTED BY AN APPROVED ENGINEERING CHANGE ORDER (ECO). PAPER COPIES ARE UNCONTROLLED.

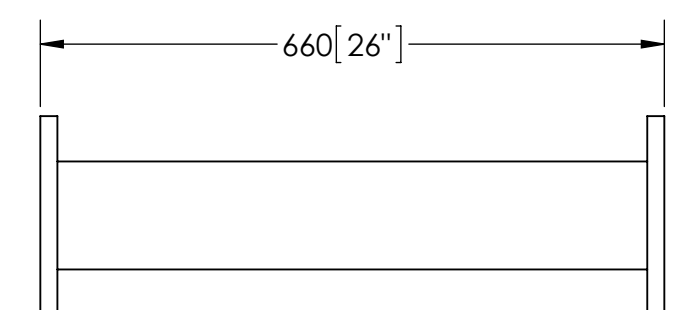
REVISION HISTORY				
ZONE	REV	DESCRIPTION	DATE	APPROVED

SUBMITTAL DRAWING

This drawing is submitted for spatial consideration only. Do not pre-plumb to these dimensions.



OPTIONAL SMART PURGE
 UNIT SHOWN WITH OPTIONAL SMART PURGE SENSOR ASSEMBLY INSTALLED (ORDER SEPARATELY)



OPTIONAL FLANGED SPOOL
 MODEL FS-04/JIS (AVAILABLE SEPARATELY) REQUIRED FOR REMOVAL OF TOP ASSEMBLY

UNLESS OTHERWISE SPECIFIED: DIMENSIONS ARE IN: mm (INCHES) TOLERANCES ARE: DECIMALS ANGLES 0 ± 0.5 ± 1/4" 0.0 ± 0.5 0.00 ± 0.05	ENGINEERED FOR: JIS FLANGES		LAKOS CLAUDE LAVAL CORP. FRESNO, CALIFORNIA 93727 WWW.LAKOS.COM	LAVAL UNDERGROUND SURVEYS
	APPROVALS	DATE		
DO NOT SCALE DRAWING	DRAWN	Cag	10/1/14	
MATERIAL CLASS P-1 MILD CARBON STEEL	ENGR		TITLE eJPX-0195-L/JIS, SEPARATOR 0195 eJPX LOW PRO JIS FLG, CARBON STEEL	
FINISH LAKOS BLUE	MFG		SIZE C	MODEL NO.
	WORK ORDER		DWG NO. 137164-JIS	REV. 01
			SCALE 1:8	EST. WT. 584 lb
			SHEET 1 OF 1	

DWG NO. 137164-JIS SH 1 REV 01