

EXCEPT AS OTHERWISE PROVIDED BY CONTRACT, THIS DRAWING AND SPECIFICATIONS SHALL NOT BE REPRODUCED, COPIED OR USED AS THE BASIS FOR MANUFACTURE OR SALE OF MATTER DEPICTED HEREIN WITHOUT THE EXPRESSED WRITTEN PERMISSION OF THE CLAUDE LAVAL CORPORATION, OR ITS ASSIGNEES.

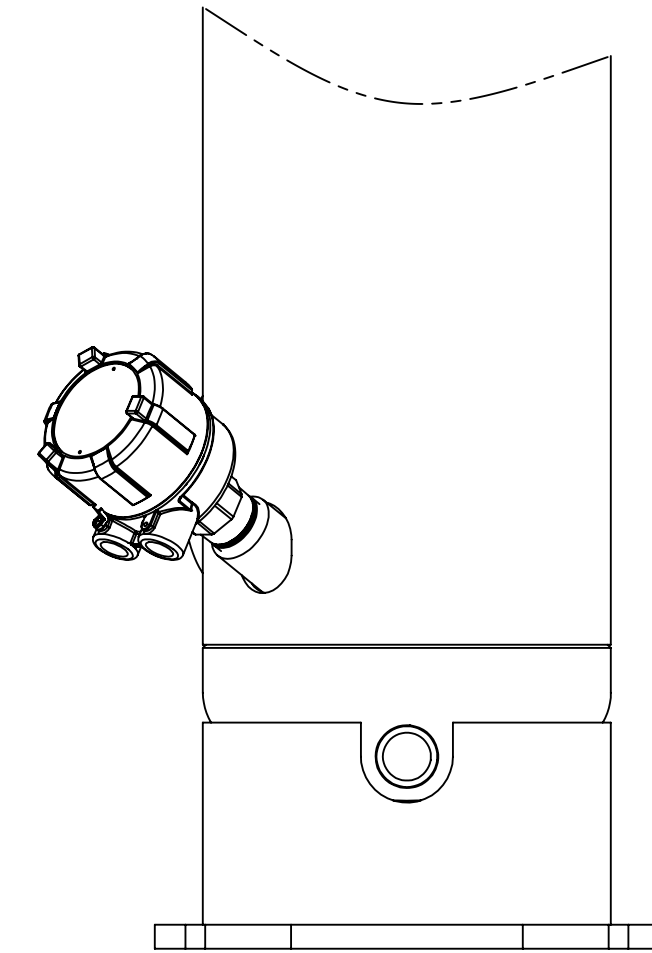
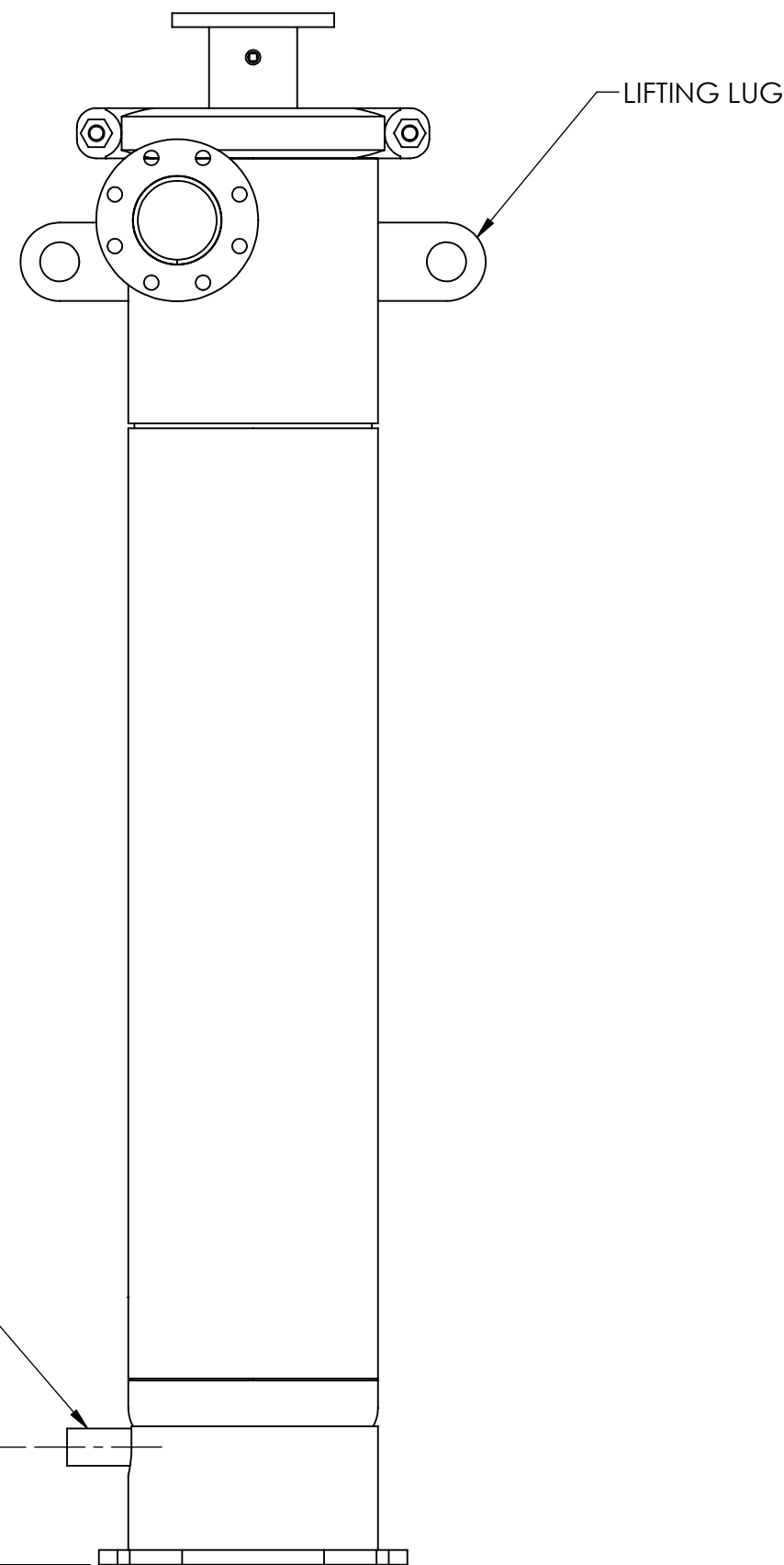
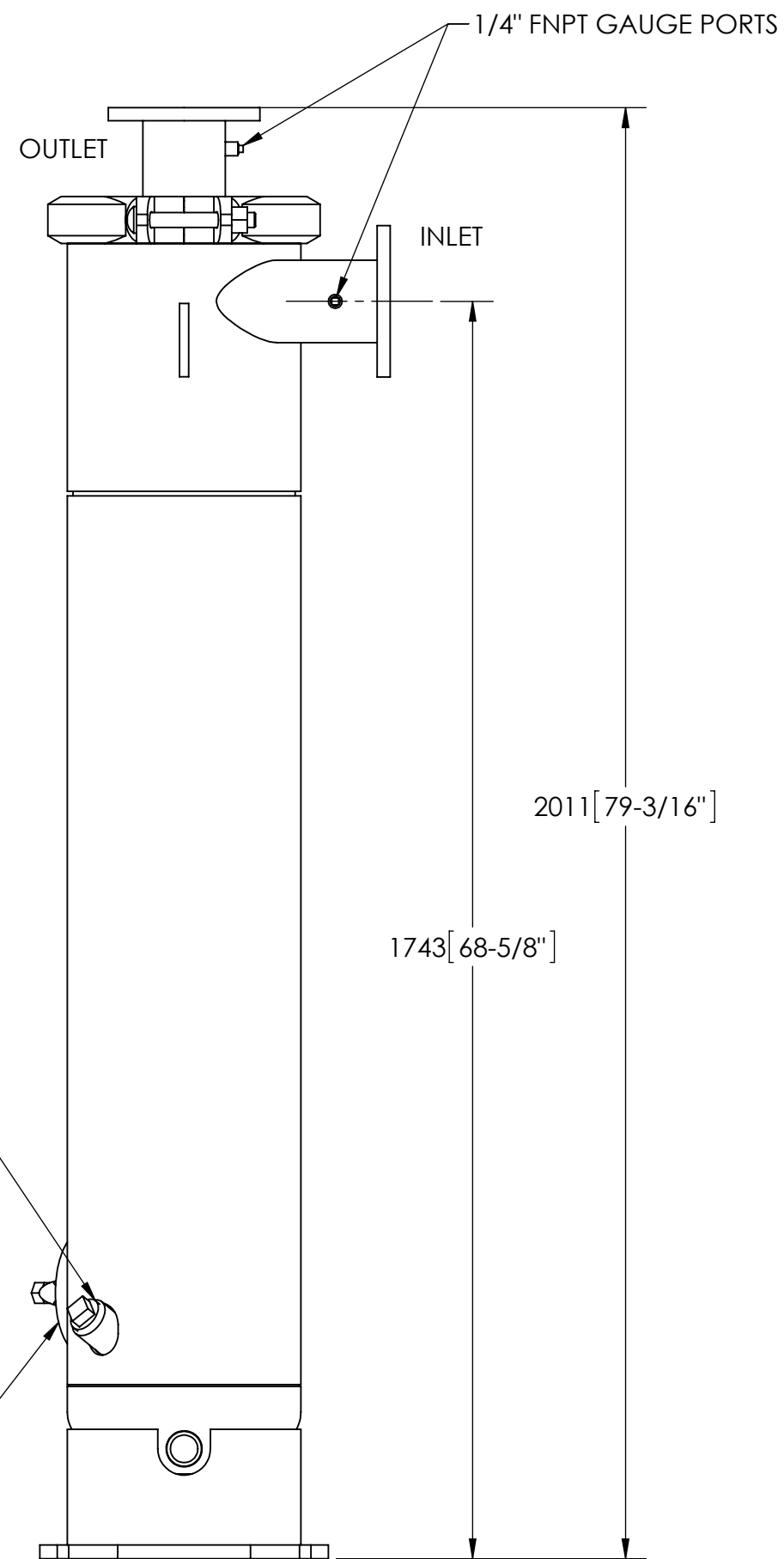
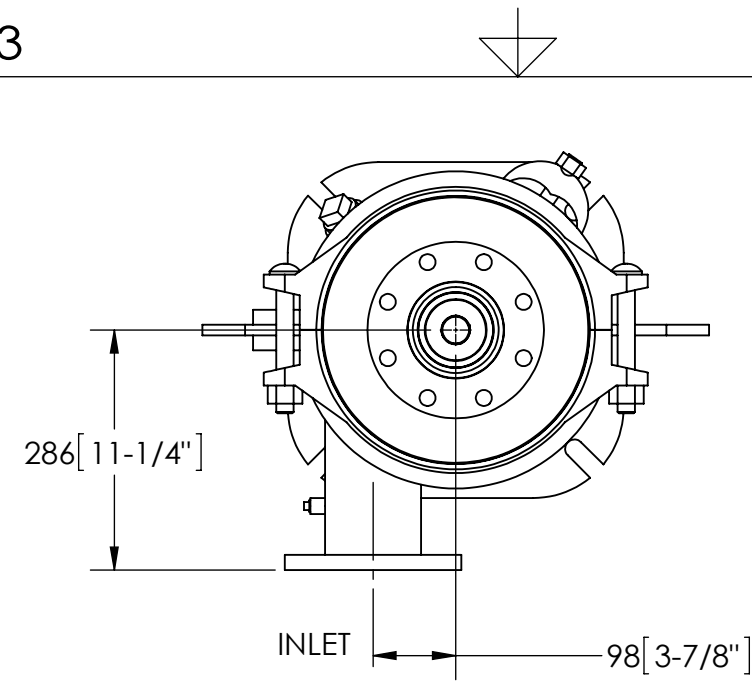
NOTES:

1. INLET & OUTLET FLANGES ARE 4" (100 mm) 10K FF PER JIS B2220 REQUIRING 8X M16 BOLTS (BOLTS AND GASKETS NOT INCLUDED).
2. MAXIMUM PRESSURE: 14 bar (203 PSI).
3. MAXIMUM TEMPERATURE: 110°C (230°F).
4. PRESSURE LOSS: 0.34-1.24 bar AT RATED FLOW.
5. RATED FLOW: 44.3-7.59 m³/hr.
6. APPROXIMATE DRY WEIGHT: 245 kg.
7. FINISH: LAKOS BLUE (EXTERIOR ONLY).

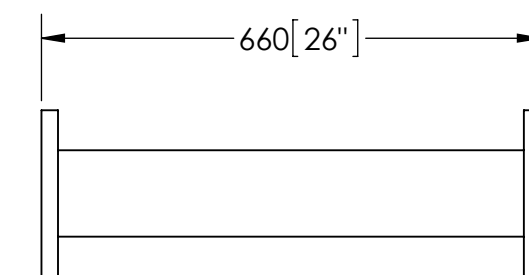
REVISION HISTORY				
ZONE	REV	DESCRIPTION	DATE	APPROVED

SUBMITTAL DRAWING

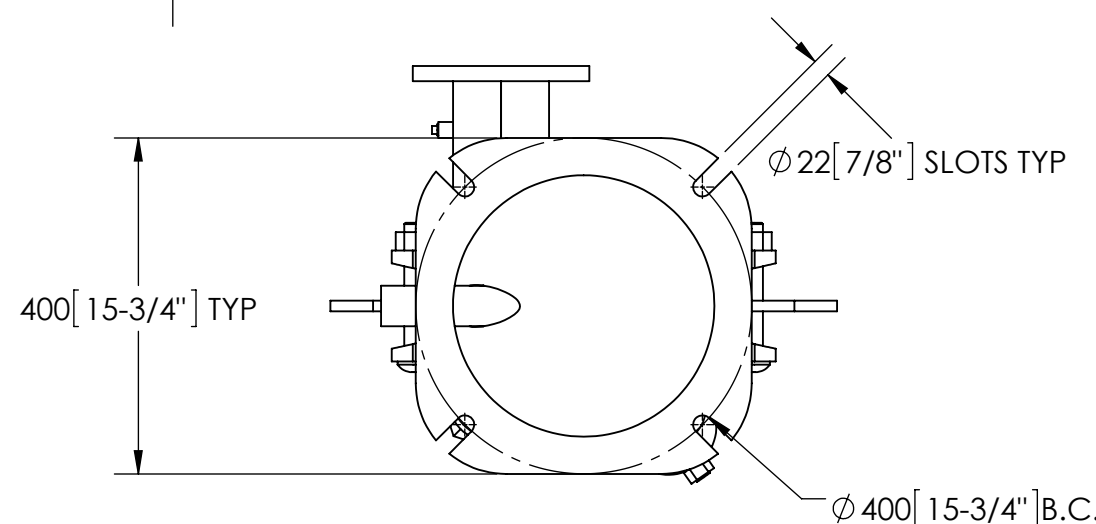
This drawing is submitted for spatial consideration only. Do not pre-plumb to these dimensions.



OPTIONAL SMART PURGE
UNIT SHOWN WITH OPTIONAL SMART PURGE SENSOR ASSEMBLY INSTALLED (ORDER SEPARATELY)



OPTIONAL FLANGED SPOOL
MODEL FS-04/JIS (AVAILABLE SEPARATELY)
REQUIRED FOR REMOVAL OF TOP ASSEMBLY



UNLESS OTHERWISE SPECIFIED:
DIMENSIONS ARE IN: mm (INCHES)
TOLERANCES ARE:

DECIMALS	ANGLES
0 ± 0.5	± 1/4"
0.0 ± 0.5	
0.00 ± 0.05	

DO NOT SCALE DRAWING

MATERIAL	CLASS P-1 MILD CARBON STEEL
FINISH	LAKOS BLUE

ENGINEERED FOR:	JIS FLANGES
APPROVALS	DATE
DRAWN	Cag 10/1/14
ENGR	
MFG	
WORK ORDER	QTY.

LAKOS.		CLAUDE LAVAL CORP. FRESNO, CALIFORNIA 93727 WWW.LAKOS.COM	
TITLE eJPX-0195-V/JIS, SEPARATOR 0195 eJPX VERT JIS FLG, CARBON STEEL			
SIZE C	MODEL NO.	DWG NO. 137163-JIS	REV. 01
SCALE 1:10	EST. WT. 531 lb	SHEET 1 OF 1	

THIS DRAWING HAS BEEN GENERATED AND IS MAINTAINED BY A CAD SYSTEM. CHANGES SHALL ONLY BE INCORPORATED AS DIRECTED BY AN APPROVED ENGINEERING CHANGE ORDER (ECO). PAPER COPIES ARE UNCONTROLLED.

DWG NO. 137163-JIS SH 1 REV 01