

EXCEPT AS OTHERWISE PROVIDED BY CONTRACT, THIS DRAWING AND SPECIFICATIONS SHALL NOT BE REPRODUCED, COPIED OR USED AS THE BASIS FOR MANUFACTURE OR SALE OF MATTER DEPICTED HEREIN WITHOUT THE EXPRESSED WRITTEN PERMISSION OF THE CLAUDE LAVAL CORPORATION, OR ITS ASSIGNEES.

NOTES:

1. INLET & OUTLET FLANGES ARE 4" (100 mm) 10K FF PER JIS B2220 REQUIRING 8X M16 BOLTS (BOLTS AND GASKETS NOT INCLUDED).
2. MAXIMUM PRESSURE: 14 bar (203 PSI).
3. MAXIMUM TEMPERATURE: 110°C (230°F).
4. PRESSURE LOSS: 0.34-1.24 bar AT RATED FLOW.
5. RATED FLOW: 56.8-111.2 m<sup>3</sup>/hr.
6. APPROXIMATE DRY WEIGHT: 249 kg.
7. FINISH: LAKOS BLUE (EXTERIOR ONLY).

REVISIONS				
ECN	REV.	DESCRIPTION	DATE	APPROVED

### SUBMITTAL DRAWING

This drawing is submitted for spatial consideration only. Do not pre-plumb to these dimensions.

D

D

C

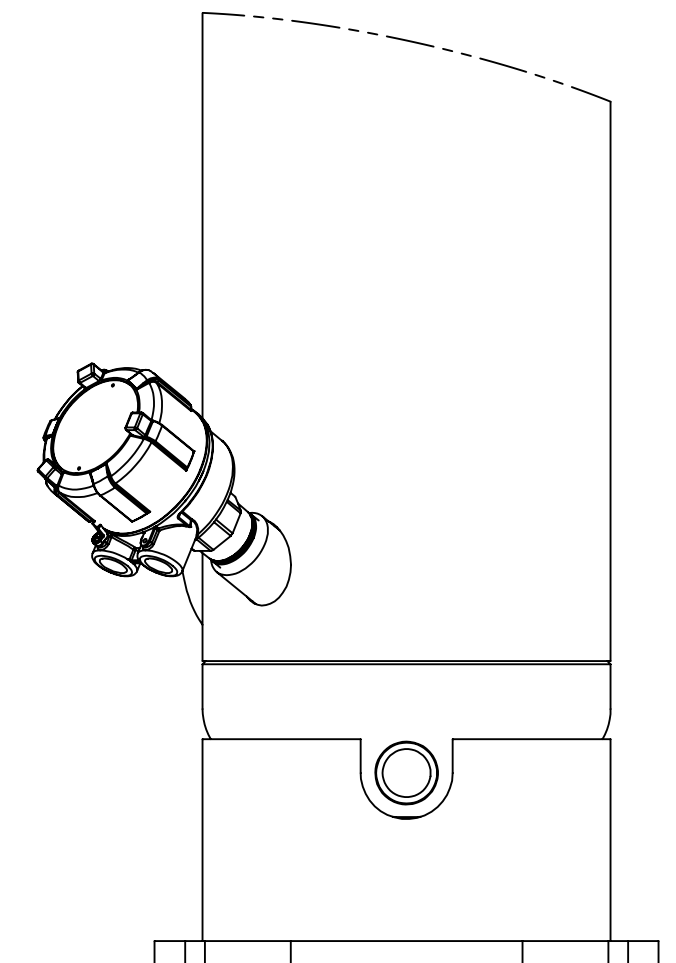
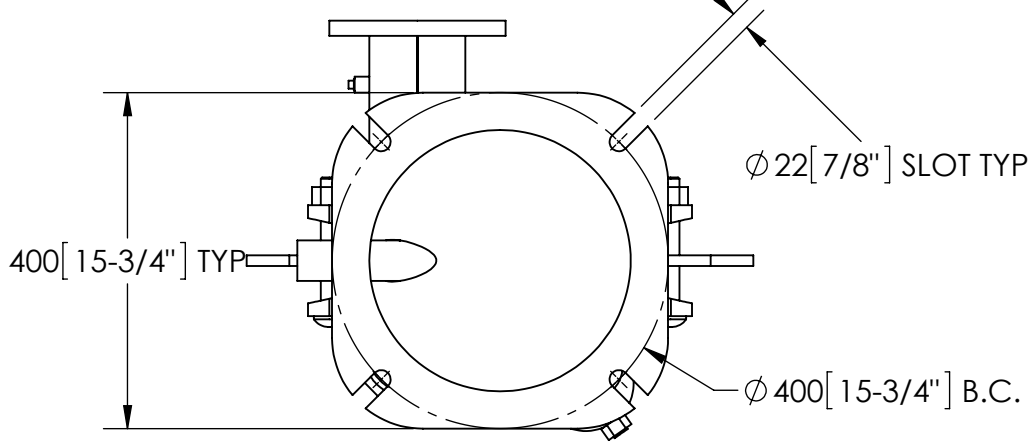
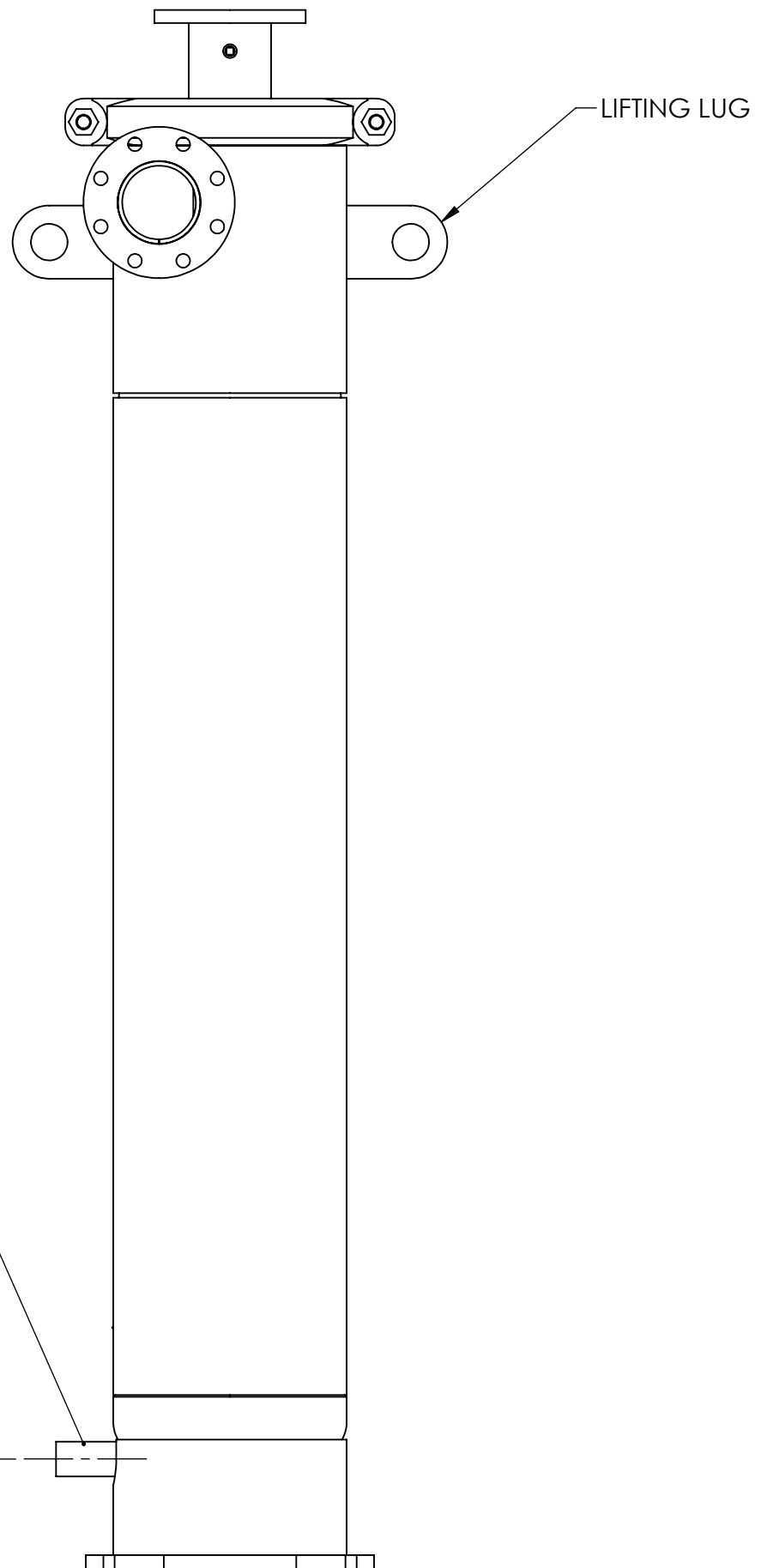
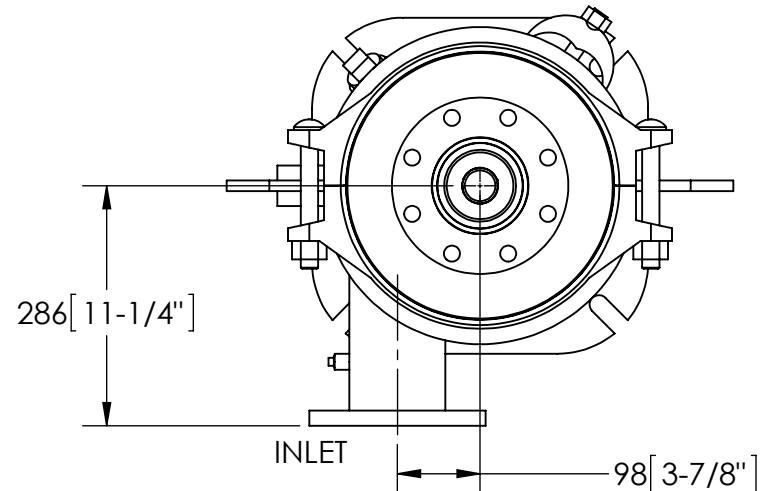
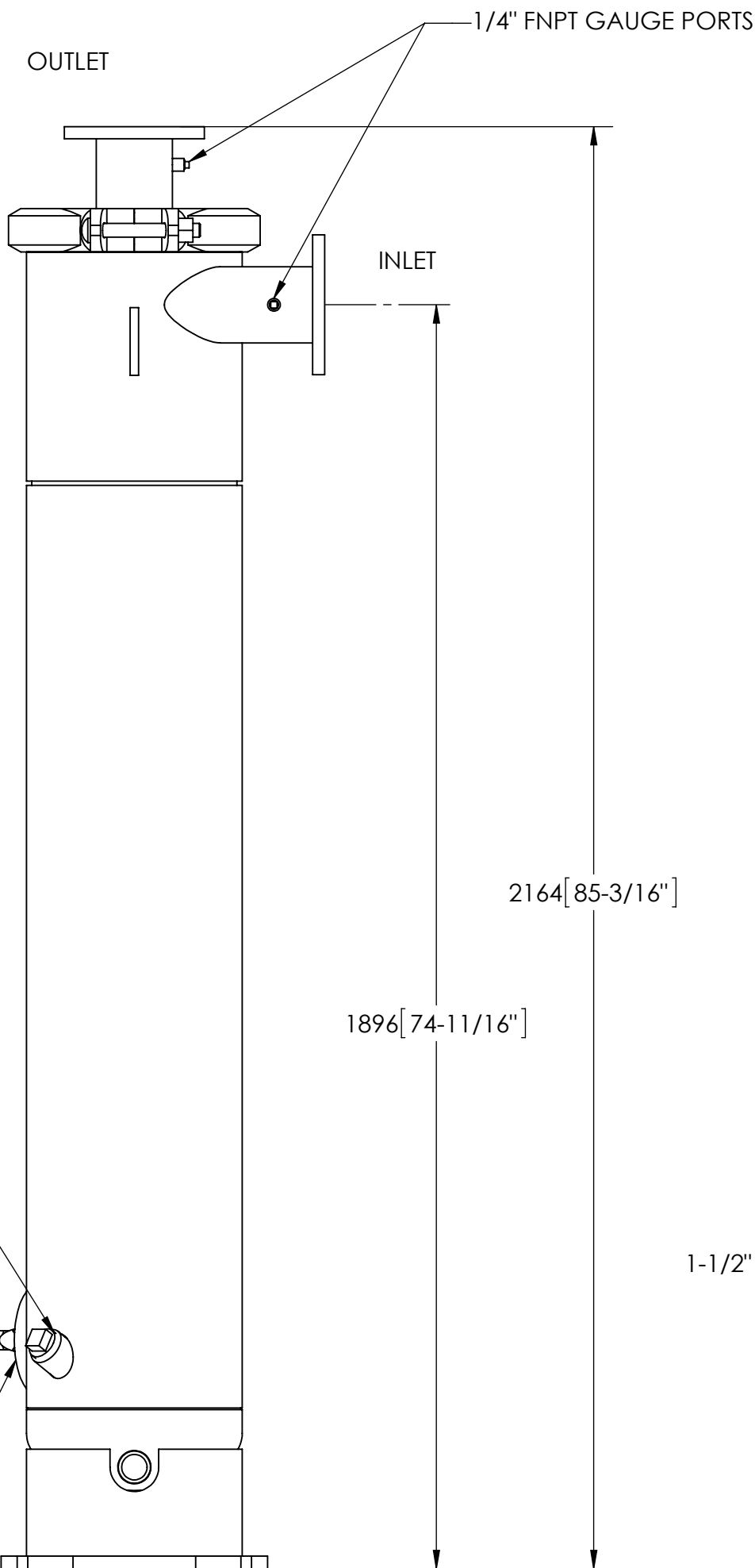
C

B

B

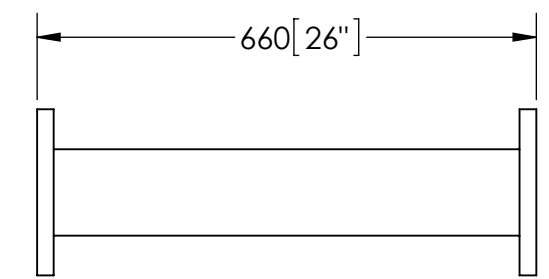
A

A



#### OPTIONAL SMART PURGE

UNIT SHOWN WITH OPTIONAL SMART PURGE SENSOR ASSEMBLY INSTALLED (ORDER SEPARATELY)



#### OPTIONAL FLANGED SPOOL

MODEL FS-04/JIS (AVAILABLE SEPARATELY) REQUIRED FOR REMOVAL OF TOP ASSEMBLY

SMART PURGE MOUNT

CLEANOUT HANDHOLE

LIFTING LUG

1-1/2" MNPT PURGE

Ø 22 [7/8"] SLOT TYP

Ø 400 [15-3/4"] B.C.

400 [15-3/4"] TYP

THIS DRAWING HAS BEEN GENERATED AND IS MAINTAINED BY A CAD SYSTEM. CHANGES SHALL ONLY BE INCORPORATED AS DIRECTED BY AN APPROVED ENGINEERING CHANGE ORDER (ECO). PAPER COPIES ARE UNCONTROLLED.

UNLESS OTHERWISE SPECIFIED: DIMENSIONS ARE IN: mm (INCHES) TOLERANCES ARE: DECIMALS ANGLES 0 ± .6 ± 1/4° 0.0 ± 0.5 0.00 ± 0.05

DO NOT SCALE DRAWING

MATERIAL CLASS P-1 MILD CARBON STEEL

FINISH LAKOS BLUE

ENGINEERED FOR: JIS FLANGE	
APPROVALS	DATE
DRAWN Cag	10/1/14
ENGR -	-
MFG -	-
WORK ORDER	QTY.

**LAKOS** CLAUDE LAVAL CORP. FRESNO, CALIFORNIA 93727 WWW.LAKOS.COM

TITLE eJPX-0250-V/JIS, SEPARATOR 0250 eJPX VERT JIS FLG, CARBON STEEL

SIZE C	MODEL NO.	DWG NO. 137165-JIS	REV. 1
SCALE 1:10	EST. WT. 548 lb	SHEET 1 OF 1	

4

3

2

1

DWG NO.

137165-JIS

SHT

1

REV.

1