

EXCEPT AS OTHERWISE PROVIDED BY CONTRACT, THIS DRAWING AND SPECIFICATIONS SHALL NOT BE REPRODUCED, COPIED OR USED AS THE BASIS FOR MANUFACTURE OR SALE OF MATTER DEPICTED HEREIN WITHOUT THE EXPRESSED WRITTEN PERMISSION OF THE CLAUDE LAVAL CORPORATION, OR ITS ASSIGNEES.

NOTES:

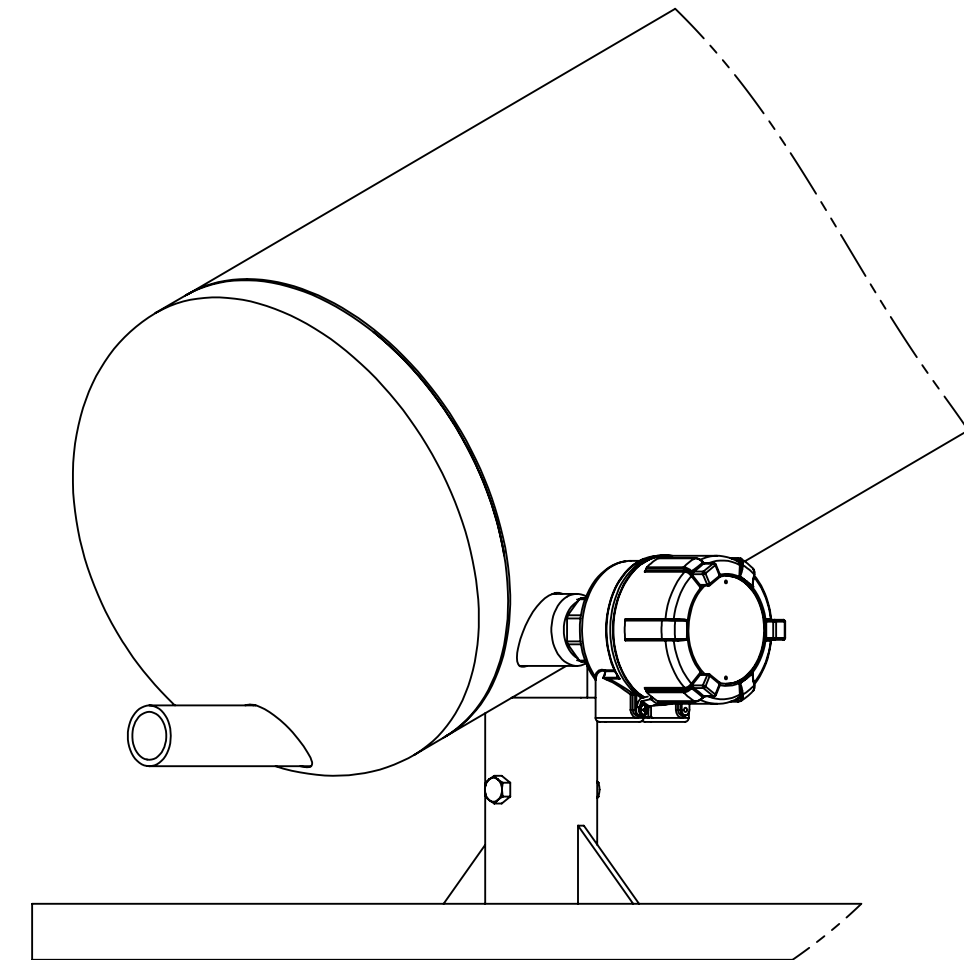
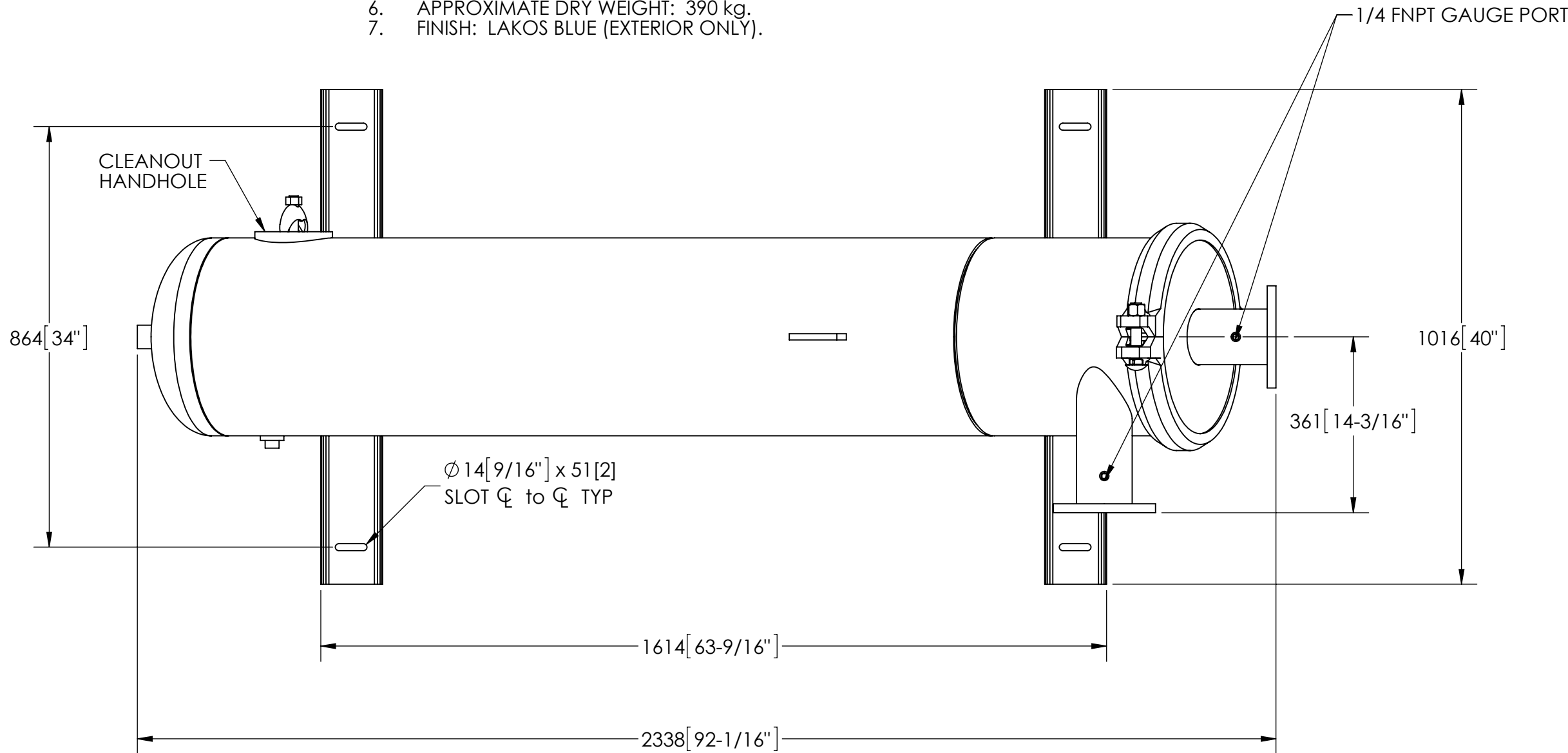
1. INLET & OUTLET FLANGES ARE 4" (100 mm) 10K FF PER JIS B2220 REQUIRING 8X M16 BOLTS (BOLTS AND GASKETS NOT INCLUDED).
2. MAXIMUM PRESSURE: 14 bar (203 PSI).
3. MAXIMUM TEMPERATURE: 230°F (110 C).
4. PRESSURE LOSS: 0.34-1.24 bar AT RATED FLOW.
5. RATED FLOW: 79.5-147.6 m³/hr.
6. APPROXIMATE DRY WEIGHT: 390 kg.
7. FINISH: LAKOS BLUE (EXTERIOR ONLY).

THIS DRAWING HAS BEEN GENERATED AND IS MAINTAINED BY A CAD SYSTEM. CHANGES SHALL ONLY BE INCORPORATED AS DIRECTED BY AN APPROVED ENGINEERING CHANGE ORDER (ECO). PAPER COPIES ARE UNCONTROLLED.

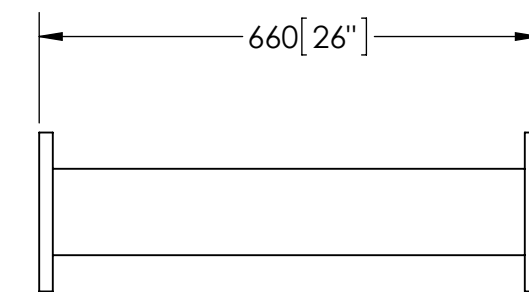
REVISION HISTORY				
ZONE	REV	DESCRIPTION	DATE	APPROVED

SUBMITTAL DRAWING

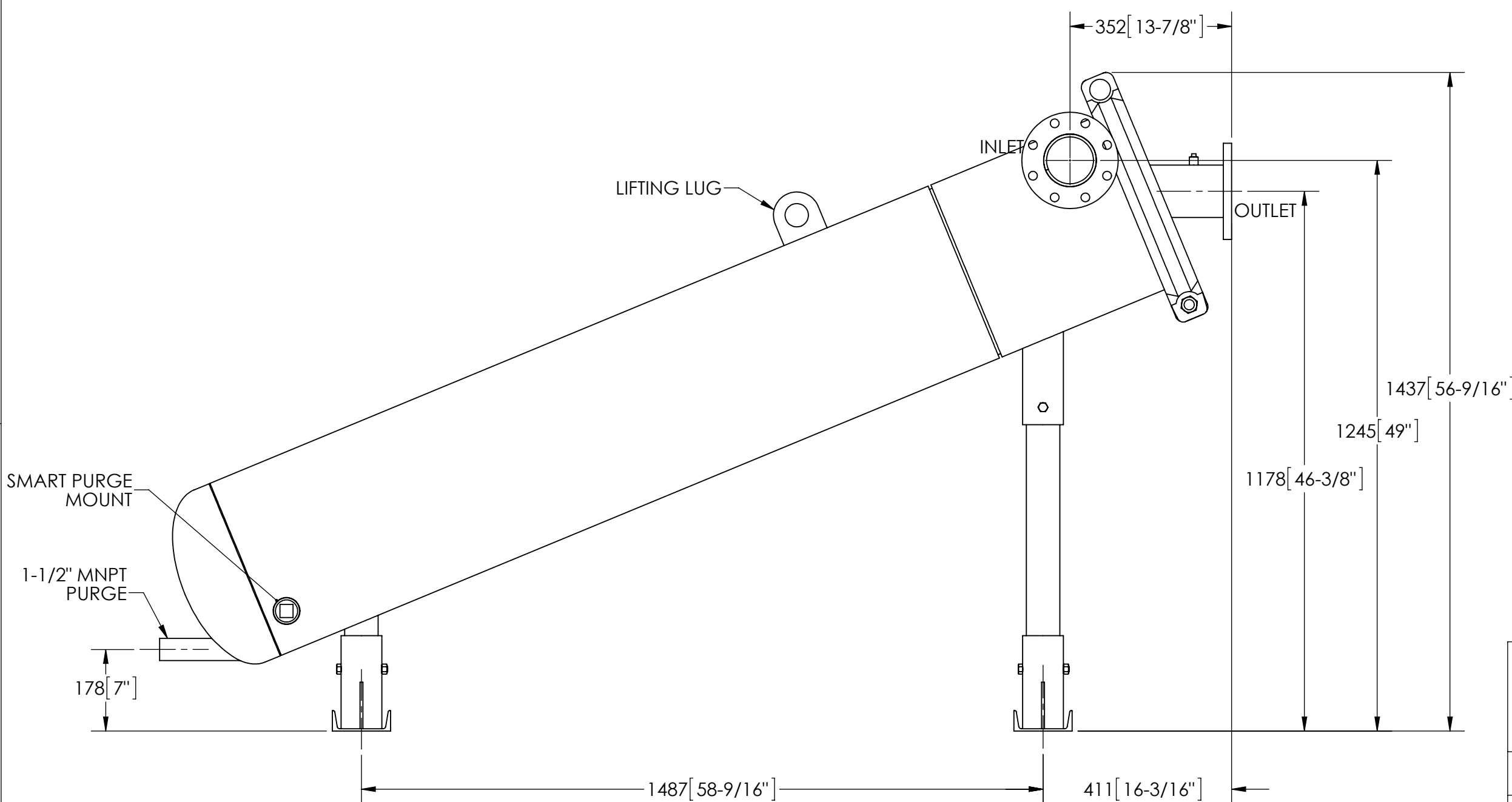
This drawing is submitted for spatial consideration only. Do not pre-plumb to these dimensions.



OPTIONAL SMART PURGE
UNIT SHOWN WITH OPTIONAL SMART PURGE SENSOR ASSEMBLY INSTALLED (ORDER SEPARATELY)



OPTIONAL FLANGED SPOOL
MODEL FS-04/JIS (AVAILABLE SEPARATELY) REQUIRED FOR REMOVAL OF TOP ASSEMBLY



UNLESS OTHERWISE SPECIFIED: DIMENSIONS ARE IN: mm (INCHES) TOLERANCES ARE: DECIMALS ANGLES 0 ± 0.5 ± 1/4" 0.0 ± 0.5 0.00 ± 0.05 DO NOT SCALE DRAWING	ENGINEERED FOR:		LAKOS CLAUDE LAVAL CORP. FRESNO, CALIFORNIA 93727 WWW.LAKOS.COM
	JIS FLANGE		
	APPROVALS	DATE	
	DRAWN Cag	10/3/14	
MATERIAL	ENGR		TITLE
CLASS P-1 MILD CARBON STEEL	-	-	eJPX-0350-L/JIS, SEPARATOR 0350 eJPX LOW PRO JIS FLG, CARBON STEEL
FINISH	MFG		SIZE
LAKOS BLUE	-	-	MODEL NO.
	WORK ORDER		DWG NO.
			137167-JIS
			REV. 01
			SCALE 1:10
			EST. WT. 860 lb
			SHEET 1 OF 1

DWG. NO. 137167-JIS SHEET 1 REV. 01