

EXCEPT AS OTHERWISE PROVIDED BY CONTRACT, THIS DRAWING AND SPECIFICATIONS SHALL NOT BE REPRODUCED, COPIED OR USED AS THE BASIS FOR MANUFACTURE OR SALE OF MATTER DEPICTED HEREIN WITHOUT THE EXPRESSED WRITTEN PERMISSION OF THE CLAUDE LAVAL CORPORATION, OR ITS ASSIGNEES.

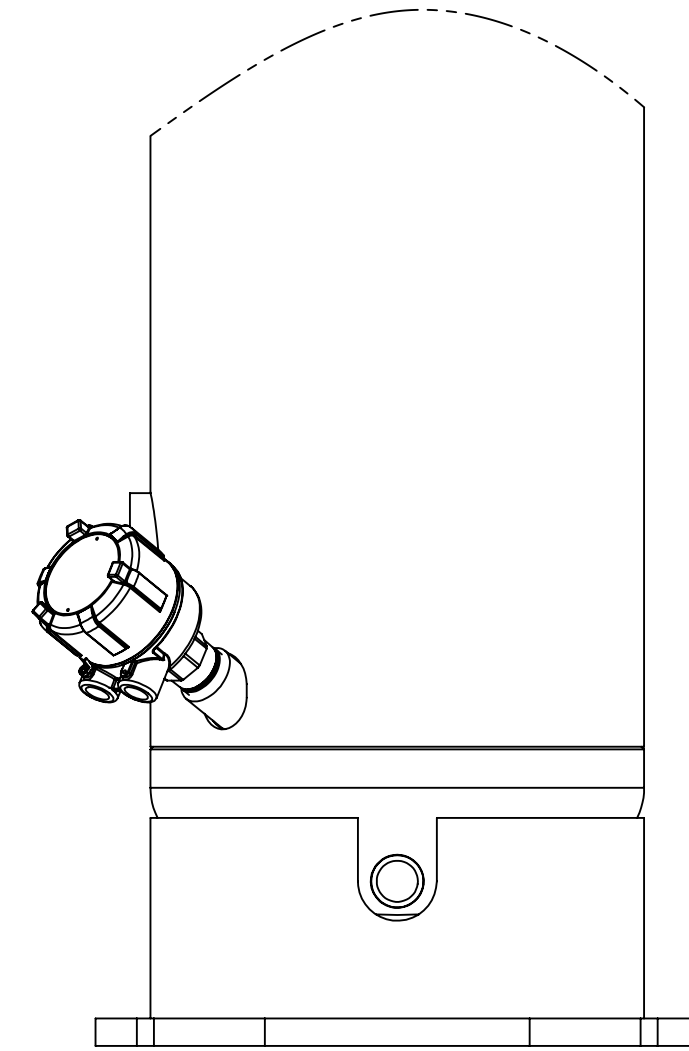
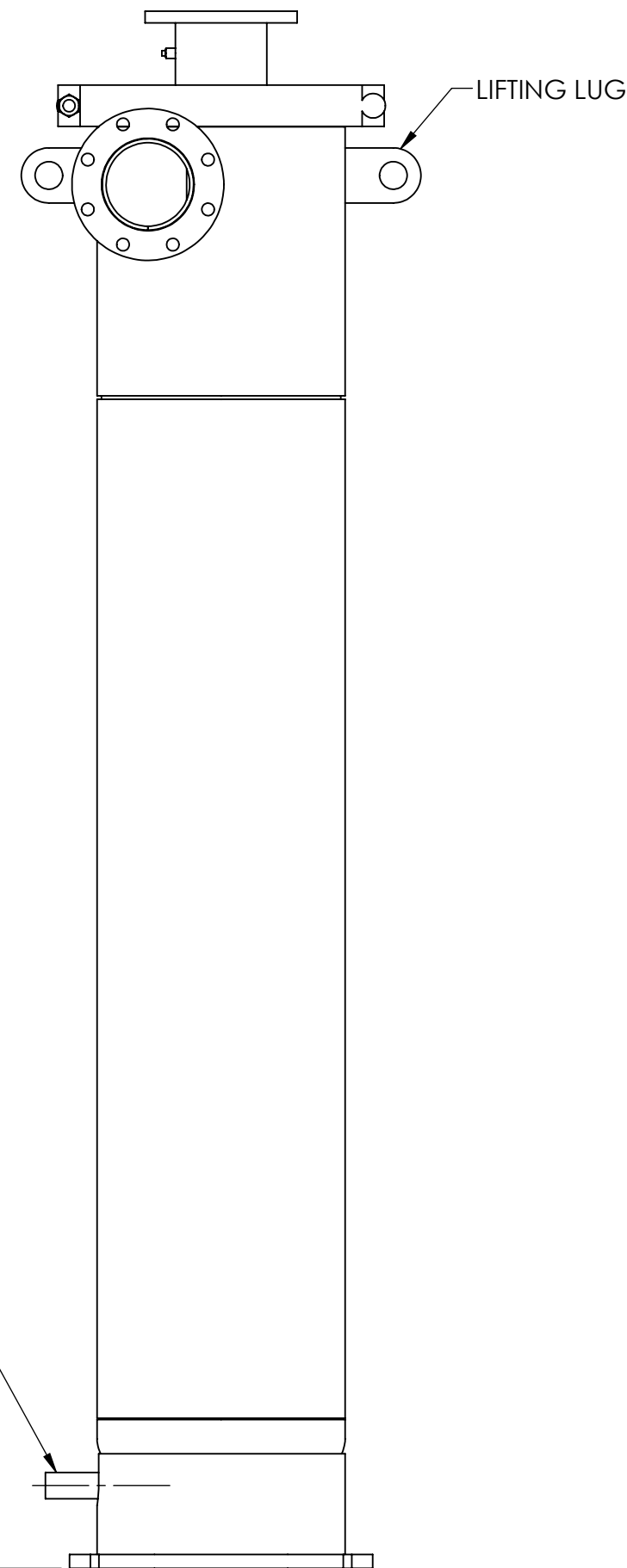
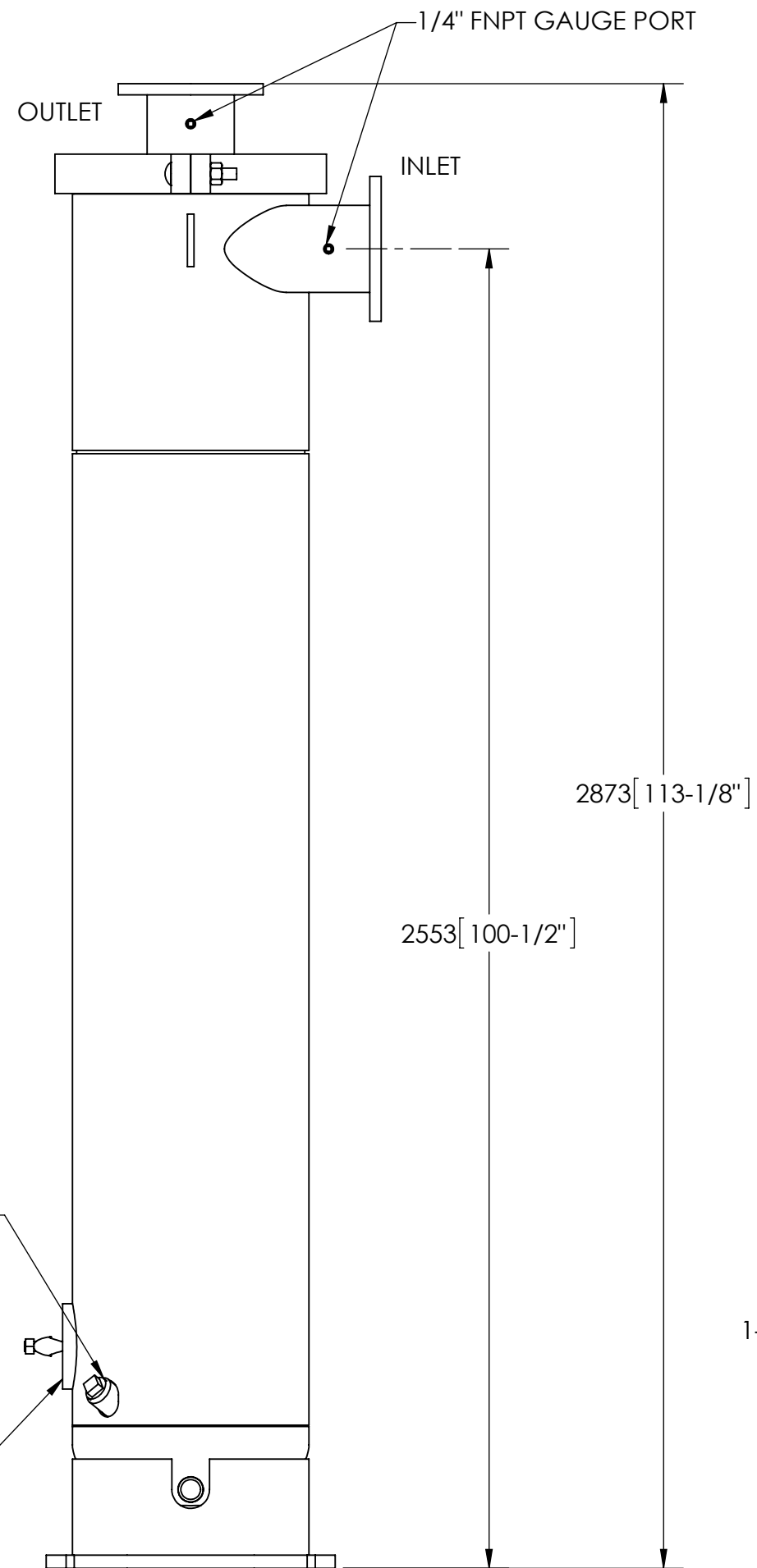
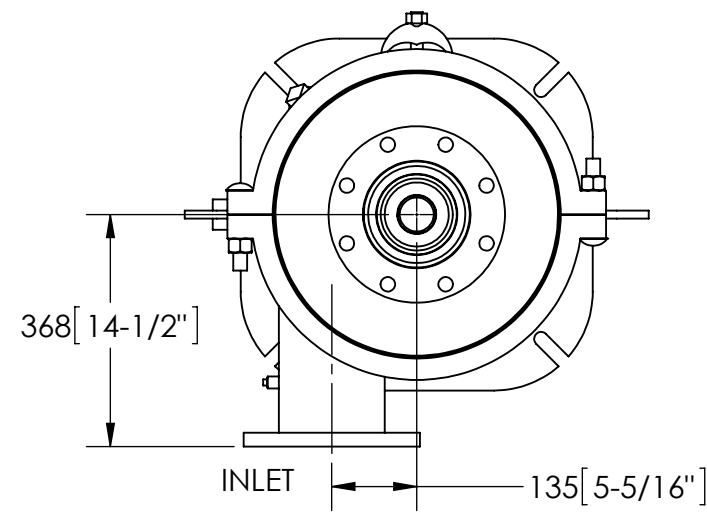
NOTES:

1. INLET & OUTLET FLANGES ARE 6" (150 mm) 10K FF PER JIS B2220 REQUIRING 8X M20 BOLTS (BOLTS AND GASKETS NOT INCLUDED).
2. MAXIMUM PRESSURE: 14 bar (203 PSI).
3. MAXIMUM TEMPERATURE: 110°C (230°F).
4. PRESSURE LOSS: 0.34-1.24 bar AT RATED FLOW.
5. RATED FLOW: 96.5-186.2 m³/hr.
6. APPROXIMATE DRY WEIGHT: 496 kg.
7. FINISH: LAKOS BLUE (EXTERIOR ONLY).

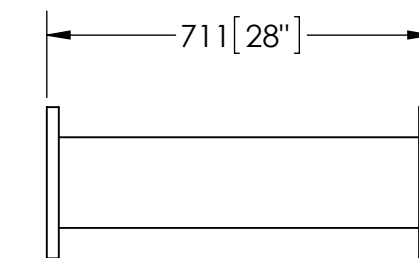
REVISIONS				
ECN	REV.	DESCRIPTION	DATE	APPROVED

SUBMITTAL DRAWING

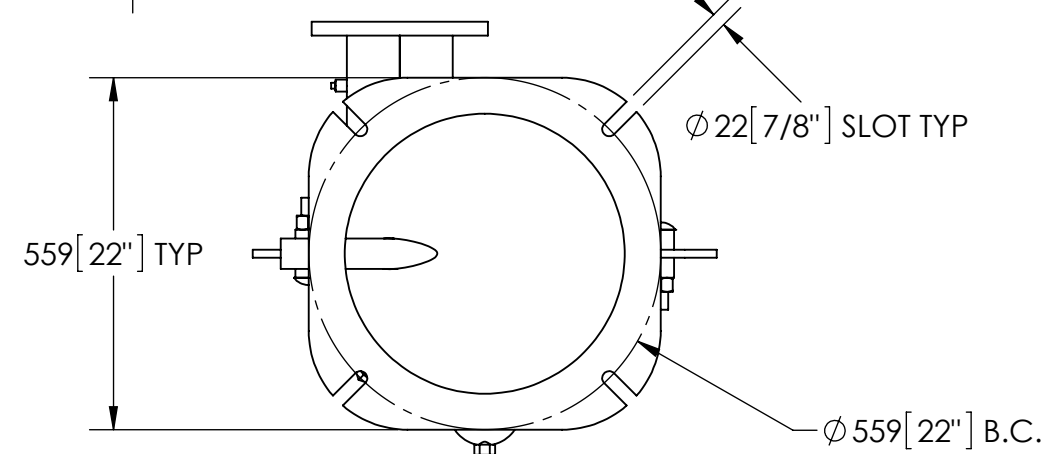
This drawing is submitted for spatial consideration only. Do not pre-plumb to these dimensions.



OPTIONAL SMART PURGE
UNIT SHOWN WITH OPTIONAL SMART PURGE SENSOR ASSEMBLY INSTALLED (ORDER SEPARATELY)



OPTIONAL FLANGED SPOOL
MODEL FS-06/JIS (AVAILABLE SEPARATELY)
REQUIRED FOR REMOVAL OF TOP ASSEMBLY



<small>UNLESS OTHERWISE SPECIFIED: DIMENSIONS ARE IN: mm (INCHES) TOLERANCES ARE:</small> DECIMALS ANGLES 0 ± 0.5 ± 1/4° 0.0 ± 0.5 0.00 ± 0.05 DO NOT SCALE DRAWING	ENGINEERED FOR: JIS FLANGES		CLAUDE LAVAL CORP. FRESNO, CALIFORNIA 93727 WWW.LAKOS.COM								
	APPROVALS	DATE									
	MATERIAL CLASS P-1 MILD CARBON STEEL	DRAWN Cag	10/2/14	TITLE eJPX-0425-V/JIS, SEPERATOR 0425 eJPX VERT JIS FLG, CARBON STEEL							
	FINISH LAKOS BLUE	ENGR -	-	<table border="1"> <tr> <td>SIZE C</td> <td>MODEL NO.</td> <td>DWG NO. 137168-JIS</td> <td>REV. 01</td> </tr> <tr> <td>SCALE 1:14</td> <td>EST. WT. 1122 lb</td> <td>SHEET 1 OF 1</td> <td></td> </tr> </table>	SIZE C	MODEL NO.	DWG NO. 137168-JIS	REV. 01	SCALE 1:14	EST. WT. 1122 lb	SHEET 1 OF 1
SIZE C	MODEL NO.	DWG NO. 137168-JIS	REV. 01								
SCALE 1:14	EST. WT. 1122 lb	SHEET 1 OF 1									

THIS DRAWING HAS BEEN GENERATED AND IS MAINTAINED BY A CAD SYSTEM. CHANGES SHALL ONLY BE INCORPORATED AS DIRECTED BY AN APPROVED ENGINEERING CHANGE ORDER (ECO). PAPER COPIES ARE UNCONTROLLED.

DWG. NO. 137168-JIS SH 1 REV. 01